



Z5655

1.28 GPF Elongated, Floor Mounted, EcoVantage Flush Valve Toilet System

TAG _____



Z5655 HET Series

- Zurn One HET Toilet System designed for optimal performance between Zurn fixture and Zurn flush valve to save water.
- 1.28 gpf (gallons per flush)
- 20% water savings over standard 1.6 gpf system
- Vitreous china
- Elongated front rim
- 2" fully glazed trapway
- High efficiency siphon jet flush action
- Zurn product system component compatibility and quality assurance
- Shipping Weight: 55 lbs.

Z5655 Series Elongated

Recommended Trim:

- Z5955SS-EL** Elongated, standard white, open front toilet seat less cover with stainless steel check hinge.
- Z5972-COMB** Closet bolt/wax ring kit.

Note:

To ensure system performance minimum running water pressure = 25 psi

These dimensions and specifications are subject to change without notice.

Fixture dimensions meet ANSI/ASME standard A112.19.2 and CAN/CSA B45 requirements.

- Engineering Specification: Z5655 AquaSense, EcoVantage High Efficiency Toilet System**
-System comes complete with exposed ZTS6200EV high efficiency flushometer valve and floor mounted, vitreous china toilet. The system is designed to perform to industry standards with as little as 1.28 gallons per flush. Valve is operated by an infrared convergence-type proximity sensor with smart technology, powered by a single 9 volt battery, furnished with a vandal resistant chrome plated cast brass valve body, chloramine resistant internal seals, manual over ride button and reversible cover. Complete with high pressure vacuum breaker, one piece hex coupling nut, adjustable tailpiece, spud coupling and flange for top spud connection. Control stop has internal siphon-guard protection, vandal resistant stop cap, sweat solder kit and a cast wall flange with set screw. Vitreous china toilet is 1-1/2" top spud with 2" fully glazed trapway and siphon jet action. Valve and toilet are an engineered system designed to provide optimal performance and 20% water savings over 1.6 gpf conventional toilets.

This space is for Architectural/engineering Approval

See Zurn One Systems for suggested packages.

Zurn Plumbing Products Group Commercial Brass and Fixtures Operation
2640 South Work Street · Falconer, NY 14733 · Phone: 716-665-1132 · Fax: 716-665-1135 · www.zurn.com



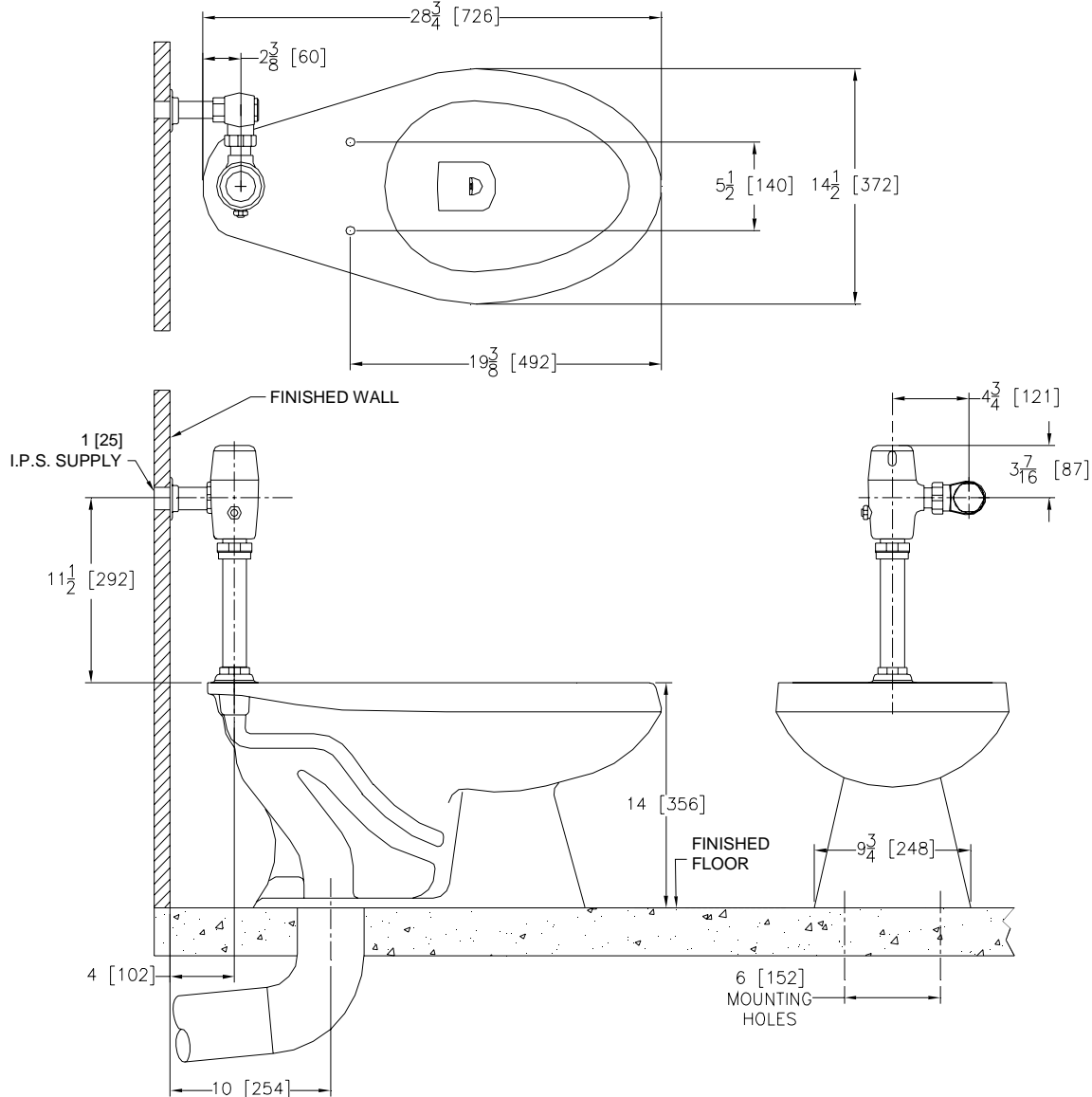
Z5655

1.28 GPF Elongated, Floor Mounted, EcoVantage Flush Valve Toilet System Rough-in

TAG _____

Rough-in dimensions for Z5655 Series

- Z5655 with top spud



These dimensions and specifications are subject to change without notice.

Fixture dimensions meet ANSI/ASME standard A112.19.2 and CAN/CSA B45 requirements.

Zurn Plumbing Products Group Commercial Brass and Fixtures Operation
2640 South Work Street · Falconer, NY 14733 · Phone: 716-665-1132 · Fax: 716-665-1135 · www.zurn.com