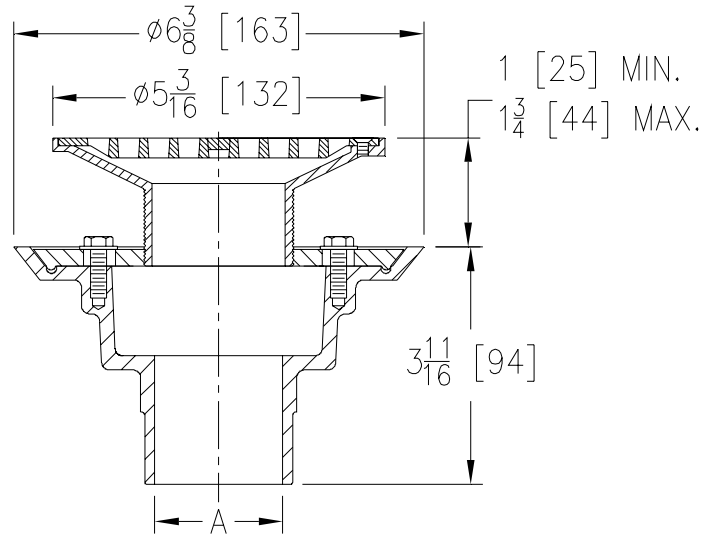


Dimensional Data (inches and [mm]) are Subject to Manufacturing Tolerances and Change Without Notice



Product	'A' Connections	Grate Open Area Sq. In [cm ²]
___ FD2254-PV2-R5	2 x 3 [51 x 76] Solvent Weld	9 [58]
___ FD2254-AB2-R5	2 x 3 [51 x 76] Solvent Weld	

FD2254-R5

2 x 3 [51 x 76] PVC or ABS Shower Drain Recommended in showers where a membrane is generally used. The unit has an adjustable head and nickel strainer to meet finished floor elevations. The drain is furnished with PVC or ABS body and clamping collar. Beveled clamping provides easier subfloor installation. Fits over 2 [51] and inside 3 [76] schedule 40 DWV pipes.

Options:

- ___ **-CP** Chrome Plated Strainer Assembly
- ___ **-PB** Polished Brass Strainer Assembly

Typical installation

