

OPTIONS and VARIATIONS

All grease interceptor options and variations are specified as a PREFIX and/or SUFFIX letter or number added to the series designation. Listed below are the available options and a brief description of each.

PREFIXES

- Z** Acid Resistant Coated Fabricated Steel
- ZS** All Type 304 Fabricated Stainless Steel

SUFFIXES

-AL Aluminum Cover

This option can be used to allow for easier removal of the cover, since the weight of aluminum is approximately 65% lighter than the weight of steel. Because of its ability to form a very thin protective layer of oxide, aluminum is also very corrosion-resistant. Note: The heavy-duty cover option (-HD) cannot be specified when the aluminum cover is used.

-BB Timer Battery Backup (For Z1174)

-C30 Cable Length of 30 Feet For Digital Display (For Z1192)

-C45 Cable Length of 45 Feet For Digital Display (For Z1192)

-CS Custom Screens (For Z1174)

Specify material and perforation required.

-DI Dual High/Low Inlet

This option is provided to help accommodate inlet piping installation to the interceptor. A bronze plug is provided to seal the inlet that is not in use. Note: Because the invert of the low inlet is located below the invert of the outlet connection, standing water will be retained in the inlet piping when the unit is not in use. It is recommended at the end of the interceptor's daily use to run hot water through the unit. This will help purge out any grease that is contained inside of the inlet piping and prevent it from congealing to the walls of the pipe.

-E Extension

Acid resistant coated interior and exterior fabricated steel extension section. The extension option is specified when the grease interceptor is in a recessed installation and proper piping elevations must be met. Zurn extensions can be furnished in two different ways:

1.) Retro-fit extension: This type of extension is a separate piece, bolted onto the top of the unit and gasketed. This allows for modification to the height of the unit after the unit has already been furnished. Note: The heavy-duty cover option (-HD) cannot be specified when a retrofit extension is used.

2.) Integral extension: This type of extension is built directly into the unit as one piece.

Note: When specifying the extension option (-E), it is required that the overall height dimension ('C' Dimension) of the interceptor body be specified to ensure that the unit is furnished properly.

-HD Heavy Duty Cover

Reinforced cover rated at 10,000 lbs. maximum safe live load. When this option is specified, it is necessary to extend the overall height of the grease interceptor body to accommodate for necessary supports. The additional extension height does not have to be specified when ordering the product; it is automatically built into the unit as an integral part. The following chart illustrates the required extended height:

Model	Size	Extension Height Added To Unit
Z1160	All	3"
Z1165	All	3"
Z1170	All	3"
Z1172	900	4"
Z1172	1000	6"
Z1172	1100-1900	3"

-K Anchor Flange

Located 1-3/4" down from the top of the unit and 2" wide. The anchor flange is used for structural support when installing the unit. See note under (-KC) option for extension requirements.

-KC Anchor Flange with Clamp Collar

Located 1-3/4" down from the top of the unit and 2" wide. The anchor flange with clamp collar is designed for installations that require the use of a waterproofing membrane.

When the (-K) and (-KC) options are specified, it is necessary to extend the overall height of the grease interceptor body by 3" to accommodate attachment of the flange. The additional extension height does not have to be specified when ordering the product; it is automatically built into the unit as an integral part.

-L Angle-Type Flow Control Device

Provided with an integral plunger to unblock any waste material that may clog the passageway through the orifice. To operate simply move the plunger up and down, pushing it through the orifice, while running hot water through the flow control device.

-LS Less Solids Interceptor

-P Pump Only, 110 VAC (For Z1174)

-PW Plug Wrench

Tool designed to remove the cleanout plug on the grease and oil interceptor bodies. Tool is also used to remove the cover of the Z1175 and Z1176 hair interceptors.

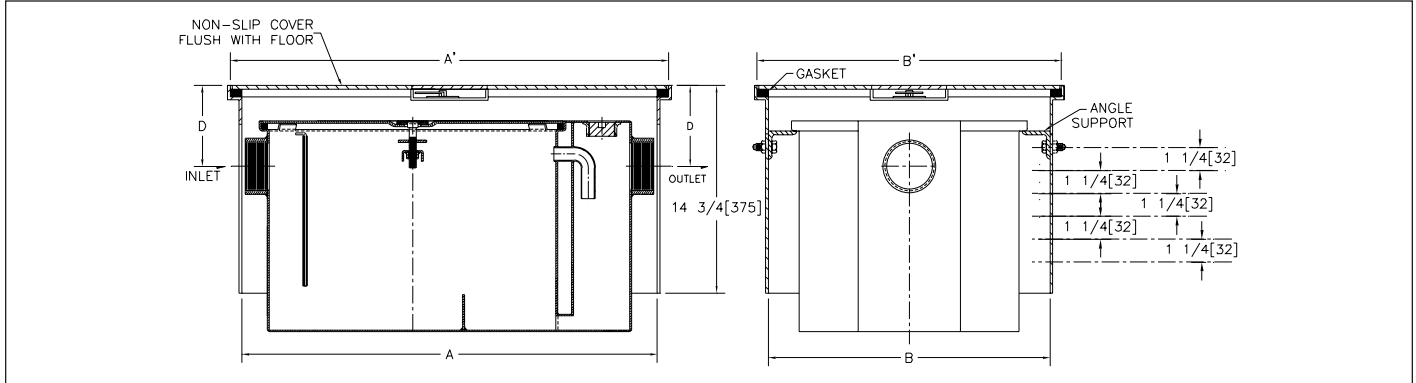
OPTIONS and VARIATIONS

SUFFIXES, continued

-R Recessing Receiver

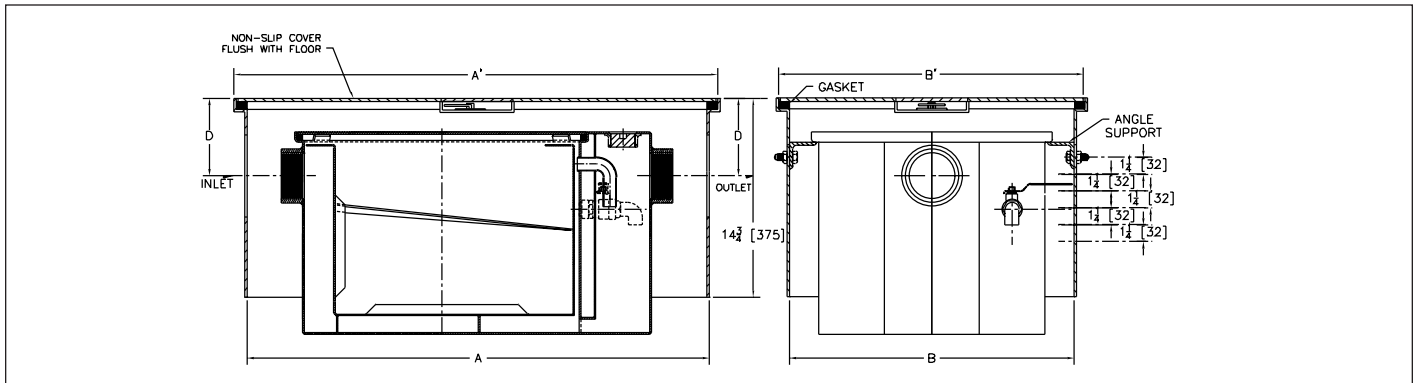
Acid resistant coated interior and exterior fabricated steel recessing receiver is used for applications where the interceptor is to be installed above or below grade after the concrete floor has been poured. Once the receiver body and drain lines are in place, the interceptor can be installed at a later date, without damage to the concrete and finished floor.

Z1170-R Illustrated



Size	A	A'	B	B'	D
100	19-3/4	21-3/4	12-3/4	14-3/4	4-3/4
200	21-3/4	23-3/4	15-3/8	17-3/8	5-1/8
300	25	27	17-1/2	19-1/2	5-1/2
400	25-3/4	27-3/4	20	22	6
500	29-1/2	31-1/2	20-3/4	22-3/4	5-1/4
600	34	36	23-1/4	25-1/4	6-1/2
700	35	37	26	28	6-1/2
800	37-1/4	39-1/4	28	30	7-1/2

Z1173-R Illustrated



Size	A	A'	B	B'	D
200	26-1/4	28-1/4	15-3/8	17-3/8	5-1/8
300	29-1/2	31-1/2	17-1/2	19-1/2	5-1/2
400	31-5/8	33-5/8	20	22	6
500	34-1/4	36-1/4	20-3/4	22-3/4	5-1/4
600	39-1/2	41-1/2	23-1/4	25-1/4	6-1/2
700	40	42	26	28	6-1/2
800	42-3/4	44-3/4	28	30	7-1/2
900	45-1/8	47-1/8	32	34	6-1/4

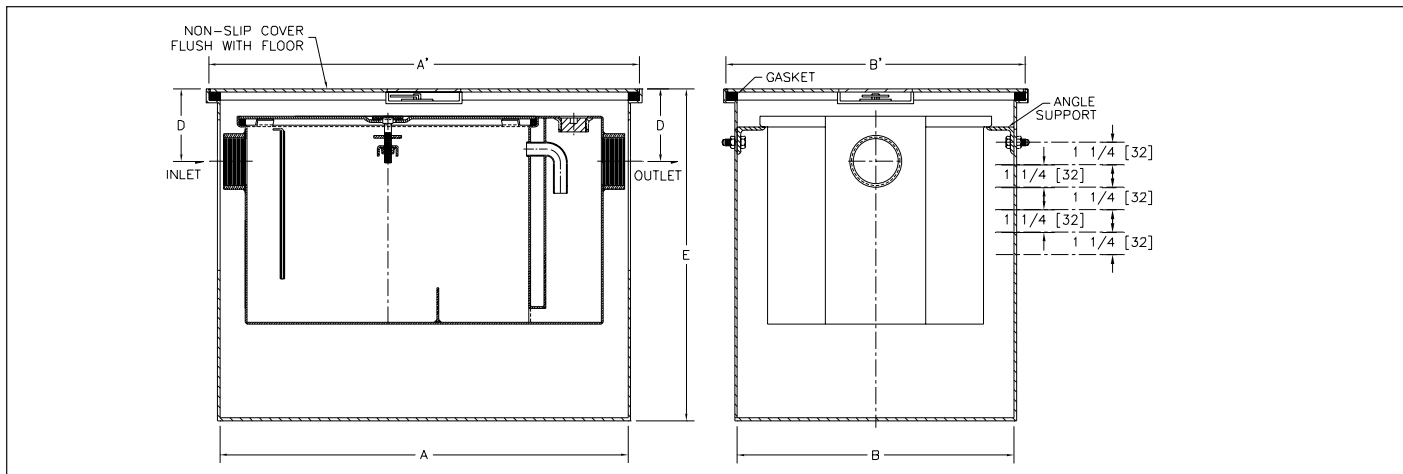
OPTIONS and VARIATIONS

SUFFIXES, continued

-RE Recessing Receiver - Enclosed Type

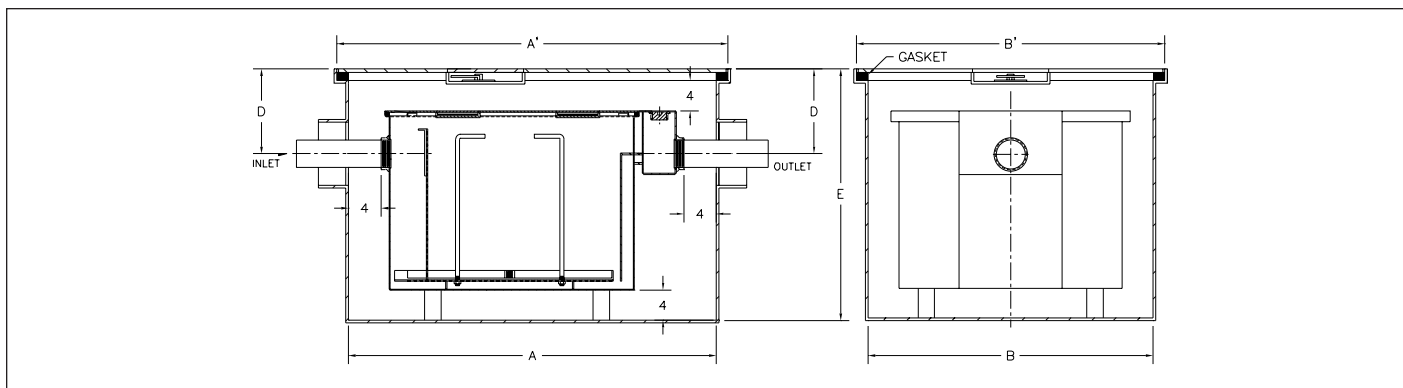
This type of recessing receiver is specified for above or below grade installations where a drip pan is required. The enclosed bottom of the receiver will contain any spillage of waste material and water from the interceptor during the cleaning and maintenance process.

Z1170-RE Illustrated



Size	A	A'	B	B'	D	E
100	19-3/4	21-3/4	12-3/4	14-3/4	4-3/4	19
200	21-3/4	23-3/4	15-3/8	17-3/8	5-1/8	20-1/4
300	25	27	17-1/2	19-1/2	5-1/2	20-3/4
400	25-3/4	27-3/4	20	22	6	22-3/8
500	29-1/2	31-1/2	20-3/4	22-3/4	5-1/4	24
600	34	36	23-1/4	25-1/4	6-1/2	25-3/4
700	35	37	26	28	6-1/2	27-3/4
800	37-1/4	39-1/4	28	30	7-1/2	30-1/2

Z1172-RE Illustrated

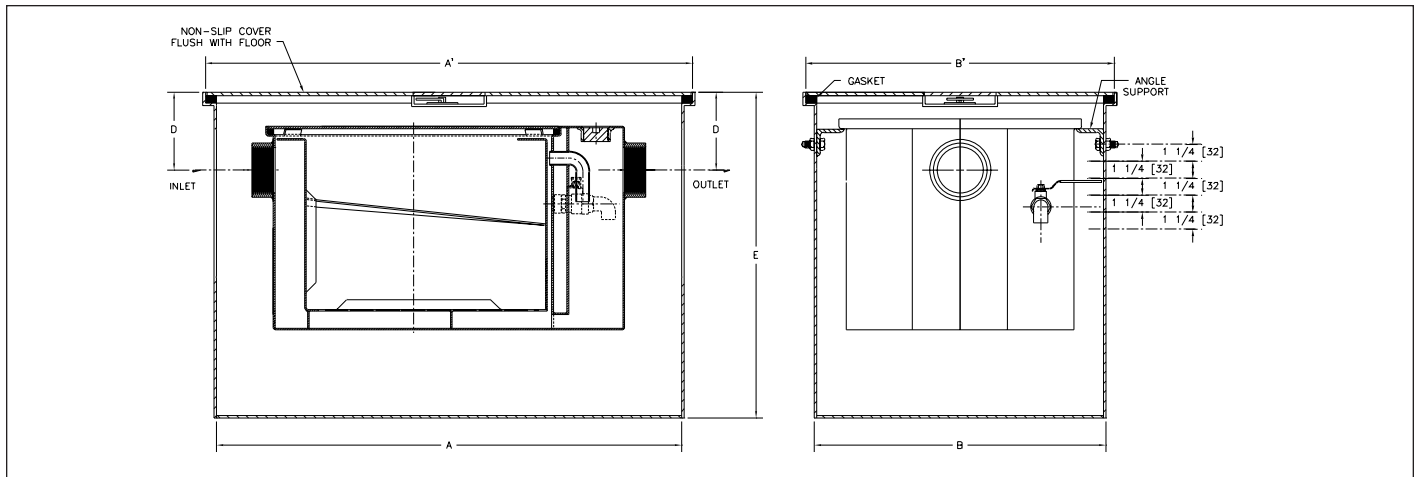


Size	A	A'	B	B'	D	E
900	44-1/4	46-1/4	33-1/8	35-1/8	9	31-1/4
1000	51	53	38-1/8	40-1/8	8-3/4	35-1/2
1100	57-1/2	59-1/2	44-1/2	46-1/2	10-3/8	38-5/8
1200	64-1/4	66-1/4	46-1/8	48-1/8	10-1/4	39-1/4

OPTIONS and VARIATIONS

SUFFIXES, continued

Z1173-RE Illustrated



Size	A	A'	B	B'	D	E
200	26-1/4	28-1/4	15-3/8	17-3/8	5-1/8	20-1/4
300	29-1/2	31-1/2	17-1/2	19-1/2	5-1/2	20-3/4
400	31-5/8	33-5/8	20	22	6	22-3/8
500	34-1/4	36-1/4	20-3/4	22-3/4	5-1/4	24
600	39-1/2	41-1/2	23-1/4	25-1/4	6-1/2	25-3/4
700	40	42	26	28	6-1/2	27-3/4
800	42-3/4	44-3/4	28	30	7-1/2	30-1/2
900	45-1/8	47-1/8	32	34	6-1/4	32

–RH Grease Containing Enclosure on Right Side When Facing Inlet (For Z1192)

–RK Retrofit Kit, Pump, and Bacteria (For Z1174)
Five gallon [19 L] only.

–SI Solids Interceptor Only
Specify required size.

OPTIONS and VARIATIONS

SUFFIXES, continued

-T Cover Recessed for Tile

This option is used in applications where the interceptor or recessing receiver is installed in a finished floor area. A polished stainless steel frame is provided with the interceptor cover recessed for the required tile. (Specify the required recess depth: 1/8", 3/4", or 1-1/4".)

Note: When the (-T) option is specified, it is necessary to extend the overall height of the grease interceptor body by 3" to accommodate for the recessed frame. The additional extension height **does not** have to be specified when ordering the product; it is automatically built into the unit as an integral part.

-XB Extra Solids Interceptor Sediment Basket

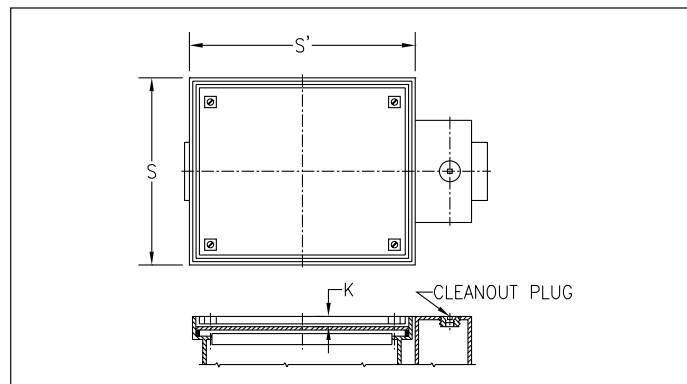
-XF Extra Supply of 30 Solids Filter Bags

-XG Extra Supply of 30 Grease Containment Bags (For Z1192)

-1 One-Gallon [4 L] Grease Eating Bacteria Only (For Z1174)

-5 Five-Gallon [19 L] Grease Eating Bacteria Only (For Z1174)

Z1170-E-T Illustrated



Size	Vinyl Tile			Ceramic Tile		
	K	S	S'	K	S	S'
300	1/8	14	16-7/8	3/4	14-5/8	17-1/2
400	1/8	16-3/4	18-7/8	3/4	17-3/8	19-1/2
500	1/8	17-1/4	21-3/4	3/4	17-7/8	22-3/8
600	1/8	19-7/8	23-3/4	3/4	20-1/2	24-3/8
700	1/8	22-1/2	25-5/8	3/4	23-1/8	26-1/4
800	1/8	24-1/2	27-1/2	3/4	25-1/8	28-1/8
Size	Terrazzo Tile			Quarry Tile		
	K	S	S'	K	S	S'
300	1-1/4	14-5/8	17-1/2	1-1/4	14-5/8	17-1/2
400	1-1/4	17-3/8	19-1/2	1-1/4	17-3/8	19-1/2
500	1-1/4	17-7/8	22-3/8	1-1/4	17-7/8	22-3/8
600	1-1/4	20-1/2	24-3/8	1-1/4	20-1/2	24-3/8
700	1-1/4	23-1/8	26-1/4	1-1/4	23-1/8	26-1/4
800	1-1/4	25-1/8	28-1/8	1-1/4	25-1/8	28-1/8