

Z1182 SOLIDS INTERCEPTOR – OPERATION and MAINTENANCE INSTRUCTIONS

SIZING

The Z1182 side access stainless steel solids interceptor is designed for suspended or under sink installations where there are height restrictions for a top removal solids interceptor. This unit is furnished with a 2" [51 mm] no-hub high inlet and low outlet on each side for left-hand or right-hand installation. (Note: Cap the side not used.) The interceptor is capable of handling a maximum flow rate of 35 GPM.

DESIGN

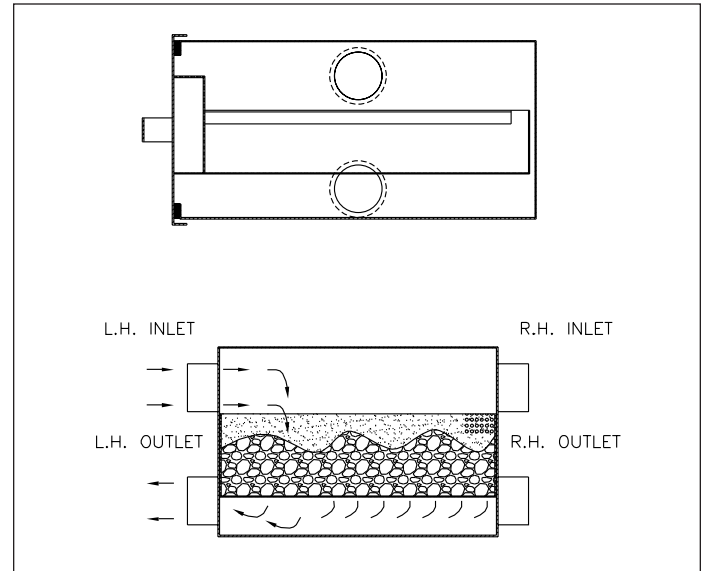
The Zurn Z1182 Solids Interceptor is designed to recover food waste from sinks, garbage grinders, and dishwashers. This is accomplished through the principal of screening. The food wastes are retained in the inlet side of the unit by a perforated removable drawer.

OPERATION

The wastewater flows from the inlet piping into the interceptor, passing through the perforated drawer attached to the gasketed latching cover, then exits the interceptor to the sanitary drain system. The waste material is trapped in the perforated drawer and not allowed to pass through to the outlet piping of the drain system.

MAINTENANCE

Cleaning should be done on a regular basis, either before or after the perforated drawer becomes clogged. Remove the drawer and clean out all debris. Hose off the drawer screen. Make certain the sealing gasket is intact and clean. Apply a light coating of oil on the gasket,



which helps prevent the gasket from adhering to the drawer and aids in maintaining a complete seal. The perforated drawer should then be placed back in the unit and secured. Efficiency of operation is directly related to the level of maintenance.

Z1183 SOLIDS INTERCEPTOR – OPERATION and MAINTENANCE INSTRUCTIONS

SIZING

The sizing of this interceptor relates to the size of the Z1170 grease interceptor it is being used with. All units are made with a standard no-hub pipe size inlet and outlet, and are capable of handling drainage volumes standard to their respective pipe size.

DESIGN

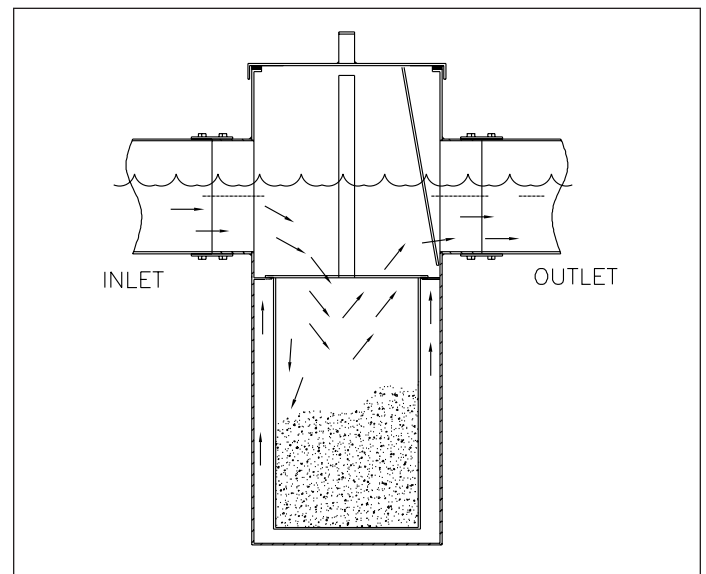
The Zurn Z1183 Solids Interceptor is designed to recover food waste from sinks, garbage grinders, and dishwashers. This is accomplished through the principal of gravity separation. The food wastes are retained in the perforated removable basket.

OPERATION

The wastewater flows from the inlet piping into the removable perforated basket, passing through the basket and the outlet cover screen attached to the cover, into the main body chamber, then exits the interceptor to the sanitary drain system.

MAINTENANCE

Cleaning should be done on a regular basis, either before or after the basket or outlet screen becomes clogged. Remove the cover and basket and clean out all debris. Hose off the outlet cover screen. Replace the basket into the interceptor. Make certain cover gasket is intact and clean. Apply a light coating of oil on the cover gasket, which helps prevent the cover gasket from adhering to the body and aids in



maintaining a complete seal. The cover should then be placed back on the unit and secured. Efficiency of operation is directly related to the level of maintenance.