



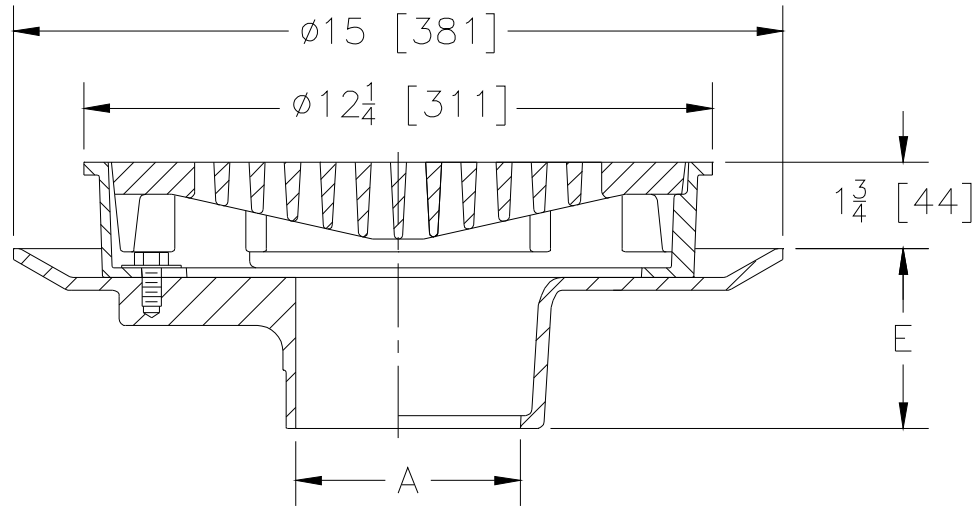
Z509

12 [305] HEAVY DUTY DRAIN

SPECIFICATION SHEET

TAG _____

Dimensional Data (inches and [mm]) are Subject to Manufacturing Tolerances and Change Without Notice



A Pipe Size In.	Approx. Wt. Lbs. [kg]	Grate Open Area Sq. In. [cm ²]
3-4-6 [76-102-152]	38 [17]	30 [194]

ENGINEERING SPECIFICATION: ZURN Z509
 12 [305] Diameter top drain. Dura-Coated cast iron body with bottom outlet, seepage pan and combination membrane flashing clamp and frame for heavy duty tractor grate.

OPTIONS (Check/specify appropriate options)

PIPE SIZE

- 3-4-6 [76-102-152]
- 3-4-6 [76-102-152]
- 3-4-6 [76-102-152]
- 3-4 [76-102]
- 6 [152]
- 3-4 [76-102]

(Specify size/type) **OUTLET**

- ___ IC Inside Caulk
- ___ IG Inside Gasket
- ___ IP Threaded
- ___ NH No-Hub
- ___ NH No-Hub (IP w/ Z1040)
- ___ NL Neo-Loc

'E' BODY HT. DIM.

- 3-1/2 [89]
- 3-1/2 [89]
- 3-1/2 [89]
- 3-1/2 [89]
- 6 [152]
- 2-5/8 [67]

PREFIXES

- ___ Z D.C.C.I. Body and Top*
- ___ ZB D.C.C.I. Body w/ Polished Bronze Top (Add 3/16 [5] to 1-3/4 [44] Dim. & 3/4 [20] to 12-1/4 [311] Dim.)
- ___ ZN D.C.C.I. Body w/ Polished Nickel Bronze Top (Add 3/16 [5] to 1-3/4 [44] Dim. & 3/4 [20] to 12-1/4 [311] Dim.)

SUFFIXES

- ___ -AR Acid Resisting Epoxy Coated Cast Iron
- ___ -D Dome Grate
- ___ -DG Duresist Grate
- ___ -DX Dex-O-Tex Flange
- ___ -G Galvanized Cast Iron
- ___ -HP Heel-Proof Grate
- ___ -P Trap Primer Connection
- ___ -PH Grate with 3/8 [9] dia. Openings (Z Only)
- ___ -S Secondary Strainer
- ___ -T Square Top
- ___ -TC Neo-Loc Test Cap Gasket (3 [76]-4 [102] NL Bottom Outlet Only)
- ___ -TS Top Secured with Slotted Screws
- ___ -V Backwater Valve (See Z1099)
- ___ -VP Vandal-Proof Secured Top
- ___ -Y Sediment Bucket
- ___ -90 90° Threaded Side Outlet Body

REV. F	DATE: 01/10/12	C.N. NO. 122626
DWG. NO. 58925	PRODUCT NO. Z509	

*REGULARLY FURNISHED UNLESS OTHERWISE SPECIFIED