



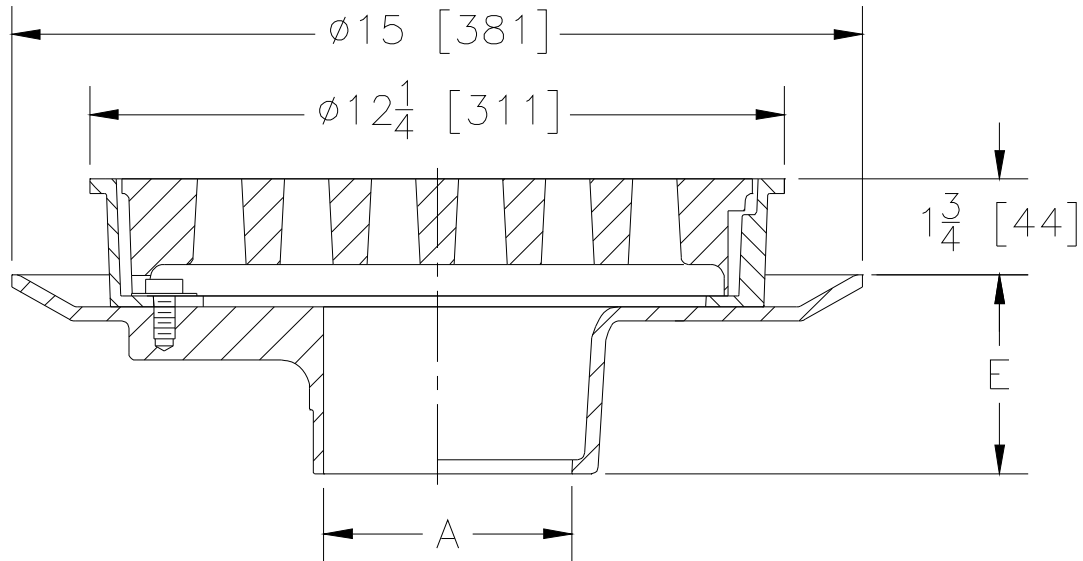
Z516

12 [305] DIAMETER EXTRA HEAVY-DUTY DRAIN

SPECIFICATION SHEET

TAG _____

Dimensional Data (inches and [mm]) are Subject to Manufacturing Tolerances and Change Without Notice



A Pipe Size In.	Approx. Wt. Lbs. [kg]	Grate Open Area Sq. In. [cm ²]
3-4-6 [76-102-152]	49 [22]	30 [194]

ENGINEERING SPECIFICATION: ZURN Z516

12 [305] Diameter top drain, Dura-Coated cast iron body with bottom outlet, seepage pan and extra-heavy-duty cast iron deep flange slotted grate.

OPTIONS (Check/specify appropriate options)

PIPE SIZE

- 4-6 [102-152]
- 4-6 [102-152]
- 4-6 [102-152]
- 3-4 [76-102]
- 6 [152]
- 3-4 [76-102]

(Specify size/type) **OUTLET**

- ___ IC Inside Caulk
- ___ IG Inside Gasket
- ___ IP Threaded
- ___ NH No-Hub
- ___ NH No-Hub (IP w/ Z1040)
- ___ NL Neo-Loc

'E' BODY HT. DIM.

- 3-1/2 [89]
- 3-1/2 [89]
- 3-1/2 [89]
- 3-1/2 [89]
- 6 [152]
- 2-5/8 [67]

PREFIXES

- ___ Z D.C.C.I. Body and Top*

SUFFIXES

- ___ -DG Duresist Grate
- ___ -F Extension Frame (Specify Total Height Req'd.)
- ___ -G Galvanized Cast Iron
- ___ -S Secondary Strainer
- ___ -TC Neo-Loc test cap gasket (3- 4 [76 -102] NL bottom outlet only)
- ___ -TS Top Secured with Slotted Screws
- ___ -V Backwater Valve (See Z1099)
- ___ -VP Vandal-Proof Secured Top

REV. F	DATE: 01/10/12	C.N. NO. 122625
DWG. NO. 58929	PRODUCT NO. Z516	