

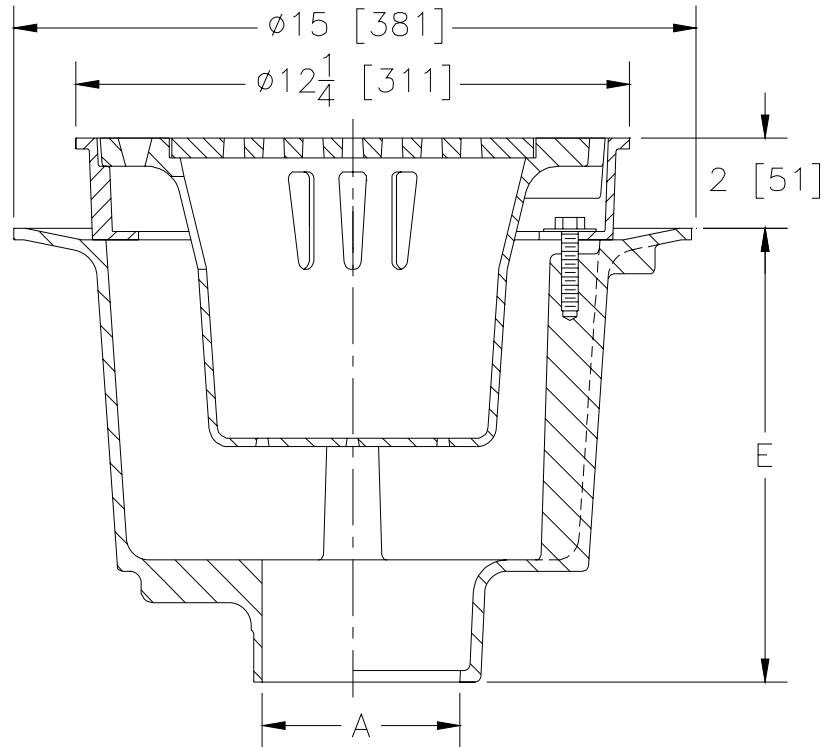


# Z538

## 12 [305] MEDIUM-DUTY DRAIN WITH DEEP SUMP/SUR-SET BUCKET

TAG \_\_\_\_\_

Dimensional Data (inches and [ mm ]) are Subject to Manufacturing Tolerances and Change Without Notice



A- Pipe Size In.	Approx. Wt. Lbs. [kg]	Grate Open Area Sq. In. [cm <sup>2</sup> ]
3-4-6 [76-102-152]	63 [29]	16 [103]
8 [203]	65 [30]	

**ENGINEERING SPECIFICATION: ZURN Z538**

12 [305] Diameter top drain, Dura-Coated cast iron deep sump body with bottom outlet, seepage pan and combination membrane flashing clamp and frame with Sur-Set bucket and medium-duty slotted grate.

**OPTIONS** (Check/specify appropriate options)

**PIPE SIZE**

(Specify size/type) **OUTLET**

**'E' BODY HT. DIM.**

3-4-6 [76-102-152]	_____ IC Inside Caulk	10 [254]
3-4-6 [76-102-152]	_____ IG Inside Gasket	10 [254]
3-4-6-8 [76-102-152-203]	_____ NH No-Hub	10 [254]

**PREFIXES**

- \_\_\_\_\_ Z D.C.C.I. Body and Top\*
- \_\_\_\_\_ ZB D.C.C.I. Body with Polished Bronze Top (Add 3/16 [5] to 2 [51] Dim. and 3/4 [20] to 12-1/4 [311] Dim.)
- \_\_\_\_\_ ZN D.C.C.I. Body with Polished Nickel Bronze Top (Add 3/16 [5] to 2 [51] Dim. and 3/4 [20] to 12-1/4 [311] Dim.)

**SUFFIXES**

- \_\_\_\_\_ -G Galvanized Cast Iron
- \_\_\_\_\_ -H Hinged Grate
- \_\_\_\_\_ -SS Stainless Steel Mesh Liner for Bucket
- \_\_\_\_\_ -TS Top Secured with Slotted Screws
- \_\_\_\_\_ -VP Vandal-Proof Secured Top

REV. D	DATE: 11/22/10	C.N. NO. 120469
DWG. NO. 58941		PRODUCT NO. Z538

\*REGULARLY FURNISHED UNLESS OTHERWISE SPECIFIED