

## Service Sink

Z5410.005.46.00

TAG \_\_\_\_\_

### Z60843-BWN-WS1

1.6 gpf Flush Valve with Bedpan Washer and Service Sink Faucet For Clinical Sinks

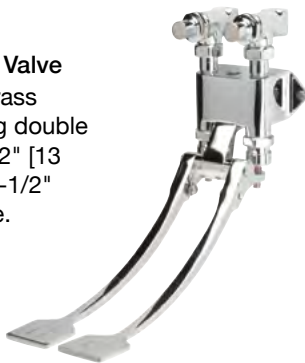
AquaVantage 'AV' Clinical Sink Flush Valve with Bedpan Washer and Service Sink Faucet - quiet diaphragm-type, chrome-plated, flushometer valve with a polished exterior. Complete with Zurn AquaVantage TPE, chloramine, dual seal diaphragm with a clog resistant, triple filtered by-pass. Valve is complete with a non-hold open and no-leak handle feature, high back pressure vacuum breaker, bedpan washer assembly, wall bracket and support rod, one piece hex coupling nut, adjustable tailpiece, spud coupling and flange for top spud connection. Control stop has internal siphon guard protection, vandal-resistant stop cap, sweat solder kit, and cast wall flange with setscrew. The Zurn Z843D6-LSI-5XT Clinical Sink Faucet features a polished chrome-plated cast brass body, quarter-turn ceramic disk cartridges, inlets with integral stops on 8" centerline, a 6" centerline cast brass vacuum breaker spout with bottom brace, and 6" vandal-resistant brass wrist blade color-coded handles.



### Z85500-XL-WM

Wall-Mounted Foot Pedal Valve

Polished chrome-plated brass wall-mounted, slow closing double pedal mixing valve. Two 1/2" [13 mm] angle stop inlets on 2-1/2" [64 mm] centers. Lead-free.



## Hospital / Service Sink with Flush Valve and Accessory

### Z5410

Wall-Mounted Blowout Service Sink

21-1/2" x 19" vitreous china, wall mounted blowout service sink with integral flushing rim, antimicrobial ceramic glaze, and 1-1/2" top spud. Front and side stainless steel rim guards included.

