

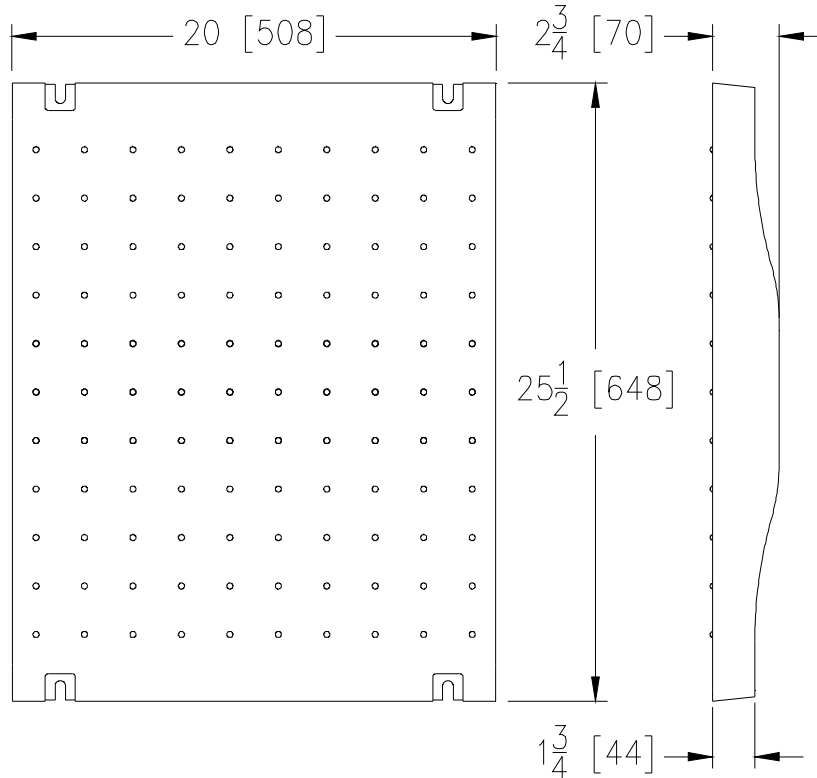


P874-21-DCC

25-1/2 [648] WIDE GRATES AND COVERS

[Back to Index](#)

Please Check	Item No.	Part Number	Item I.D.
✓	1	67634	P874-21-DCC



-DCC GRATE ENGINEERING SPECIFICATION: The Zurn P874-21-DCC Ductile Iron Solid Cover is 25-1/2" [648mm] wide by 20" [508mm] long, weighing 58 lbs [26kg] per linear foot, DIN Rating of C, ANSI Rating of Heavy-Duty, ADA compliant and H-20 Load Rated. Ductile iron conforms to ASTM specification A536, Grade 80-55-06.

-DCC - Ductile Iron Solid Cover	
Material:	Ductile Iron
DIN Rating:	Class C
Weight:	58 lbs/ft.
Open Area:	N/A
ANSI Rating:	Heavy-Duty
Application:	Solid Cover
Slot Width/Hole Size:	N/A
ADA:	Yes
H-20:	Yes
FAA:	No

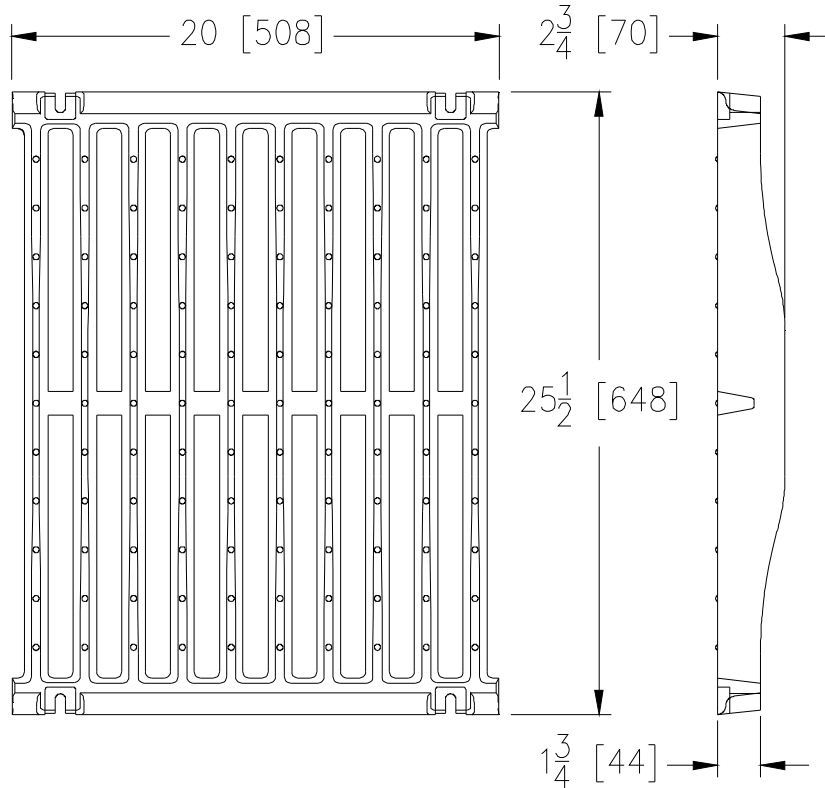


P874-21-DGC

25-1/2 [648] WIDE GRATES AND COVERS

[Back to Index](#)

Please Check	Item No.	Part Number	Item I.D.
✓	2	67623	P874-21-DGC



-DGC GRATE ENGINEERING SPECIFICATION: The Zurn P874-21-DGC Ductile Iron Slotted Grate is 25-1/2" [648mm] wide by 20" [508mm] long, weighing 54 lbs [24kg] per linear foot, open area of 132 in²/ft. [2794 cm²/m], DIN Rating of C, ANSI Rating of Heavy-Duty and H-20 Load Rated. Ductile iron conforms to ASTM specification A536, Grade 80-55-06.

-DGC - Ductile Iron Slotted Grate	
Material:	Ductile Iron
DIN Rating:	Class C
Weight:	54 lbs/ft.
Open Area:	132 in ² /ft.
ANSI Rating:	Heavy-Duty
Application:	Vehicle Traffic
Slot Width/Hole Size:	1.03"
ADA:	No
H-20:	Yes
FAA:	No

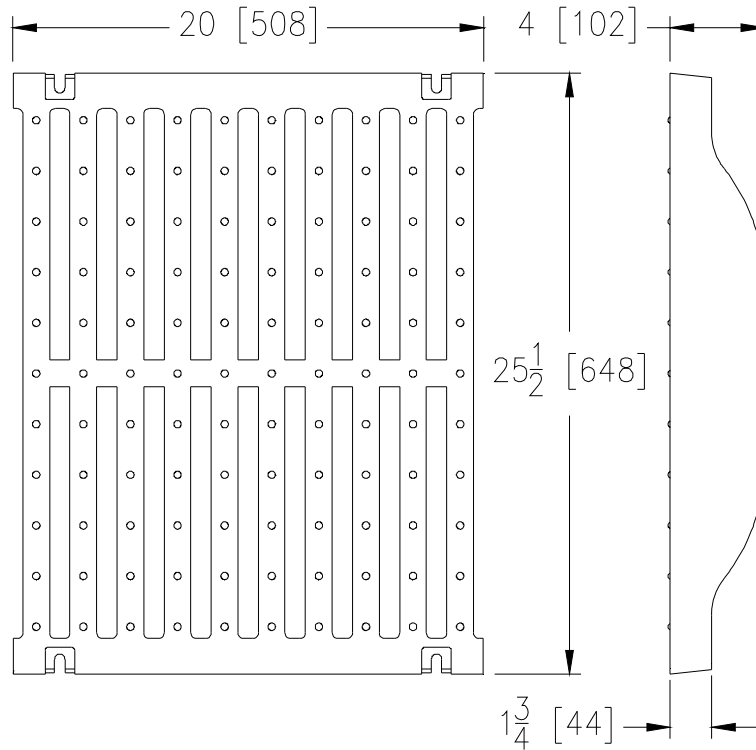


P874-21-DGF

25-1/2 [648] WIDE GRATES AND COVERS

[Back to Index](#)

Please Check	Item No.	Part Number	Item I.D.
✓	3	67589	P874-21-DGF



-DGF GRATE ENGINEERING SPECIFICATION: The Zurn P874-21-DGF Ductile Iron Slotted Grate is 25-1/2" [648mm] wide by 20 [508] long, weighing 85.2 lbs [39kg] per linear foot, open area of 111 in²/ft. [2350 cm²/m], DIN Rating of F, ANSI Rating of Special-Duty, H-20 Load Rated and FAA Load Rated. Ductile iron conforms to ASTM specification A536, Grade 80-55-06.

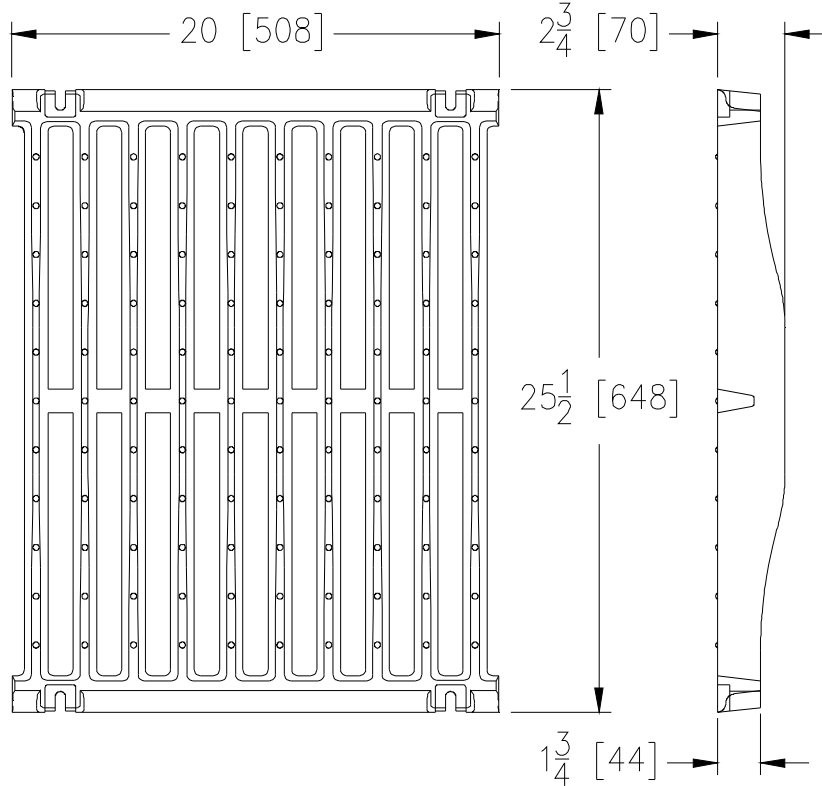
-DGF - Ductile Iron Slotted Grate	
Material:	Ductile Iron
DIN Rating:	Class F
Weight:	85.2 lbs/ft.
Open Area:	111 in ² /ft.
ANSI Rating:	Special-Duty
Application:	Airports, Extreme Loading
Slot Width/Hole Size:	.87
ADA:	No
H-20:	Yes
FAA:	Yes



P874-21-GDC
25-1/2 [648] WIDE GRATES AND COVERS

[Back to Index](#)

Please Check	Item No.	Part Number	Item I.D.
✓	4	67623	P874-21-GDC



-GDC GRATE ENGINEERING SPECIFICATION: The Zurn P874-21-GDC Galvanized Ductile Iron Slotted Grate is 25-1/2" [648mm] wide by 20" [508mm] long, weighing 54 lbs [24kg] per linear foot, open area of 132 in²/ft. [2794 cm²/m], DIN Rating of C, ANSI Rating of Heavy-Duty and H-20 Load Rated. Ductile iron conforms to ASTM specification A536, Grade 80-55-06. Galvanizing (Hot dip) conforms to ASTM specification A123.

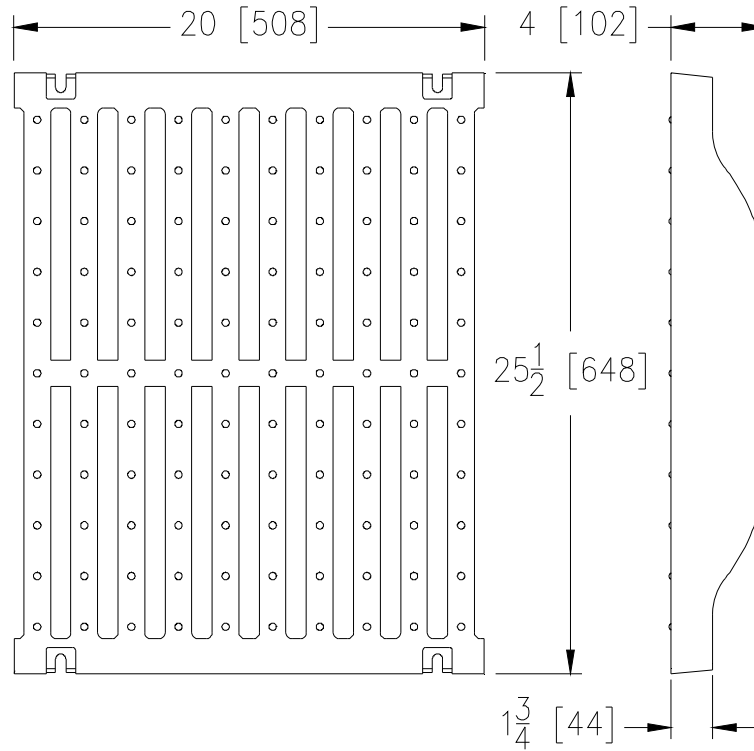
-GDC - Galvanized Ductile Iron Slotted Grate	
Material:	Galvanized Ductile Iron
DIN Rating:	Class C
Weight:	54 lbs/ft.
Open Area:	132 in ² /ft.
ANSI Rating:	Heavy-Duty
Application:	Vehicle Traffic
Slot Width/Hole Size:	1.03"
ADA:	No
H-20:	Yes
FAA:	No



P874-21-GDF
25-1/2 [648] WIDE GRATES AND COVERS

[Back to Index](#)

Please Check	Item No.	Part Number	Item I.D.
✓	5	67589	P874-21-GDF



-GDF GRATE ENGINEERING SPECIFICATION: The Zurn P874-21-GDF Galvanized Ductile Iron Slotted Grate is 25-1/2" [648mm] wide by 20" [508mm] long, weighing 85.2 lbs [39kg] per linear foot, open area of 111 in²/ft. [2350 cm²/m], DIN Rating of F, ANSI Rating of Special-Duty, H-20 Load Rated and FAA Load Rated. Ductile iron conforms to ASTM specification A536, Grade 80-55-06. Galvanizing conforms to ASTM specification A123.

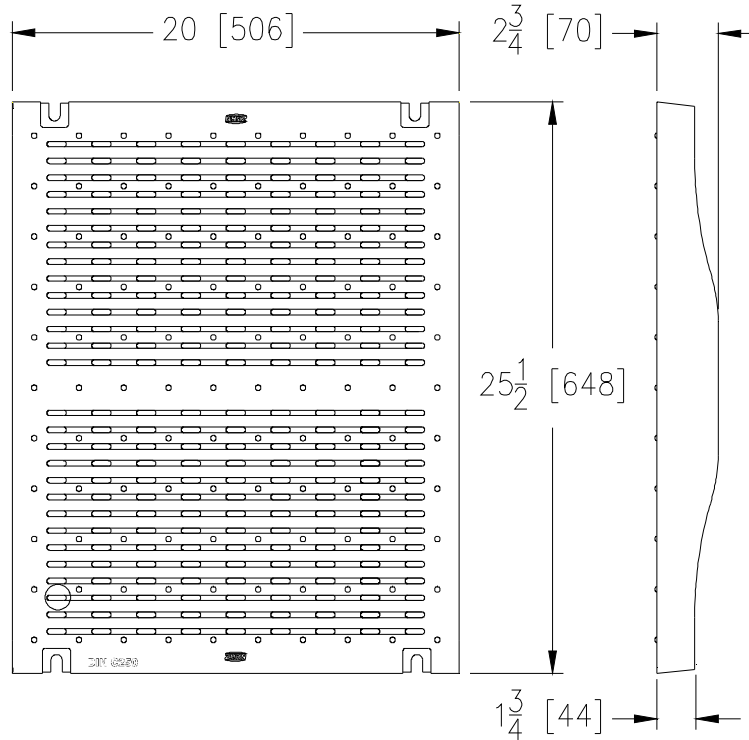
-GDF - Galvanized Ductile Iron Slotted Grate	
Material:	Galvanized Ductile Iron
DIN Rating:	Class F
Weight:	85.2 lbs/ft.
Open Area:	111 in ² /ft.
ANSI Rating:	Special-Duty
Application:	Airports, Extreme Loading
Slot Width/Hole Size:	.87"
ADA:	No
H-20:	Yes
FAA:	Yes



P874-21-HPD
25-1/2 [648] WIDE GRATES AND COVERS

[Back to Index](#)

Please Check	Item No.	Part Number	Item I.D.
✓	6	64398	P874-21-HPD



-HPD GRATE ENGINEERING SPECIFICATION: The Zurn P874-21-HPD Heel-Proof Longitudinal Ductile Iron Grate is 25-1/2" [648mm] wide by 20" [508mm] long, weighing 55.2 lbs [25kg] per linear foot, open area of 39.4 in²/ft. [834 cm²/m], DIN Rating of C, ANSI Rating of Heavy-Duty, ADA compliant and H-20 Load Rated. Ductile iron conforms to ASTM specification A536, Grade 80-55-06.

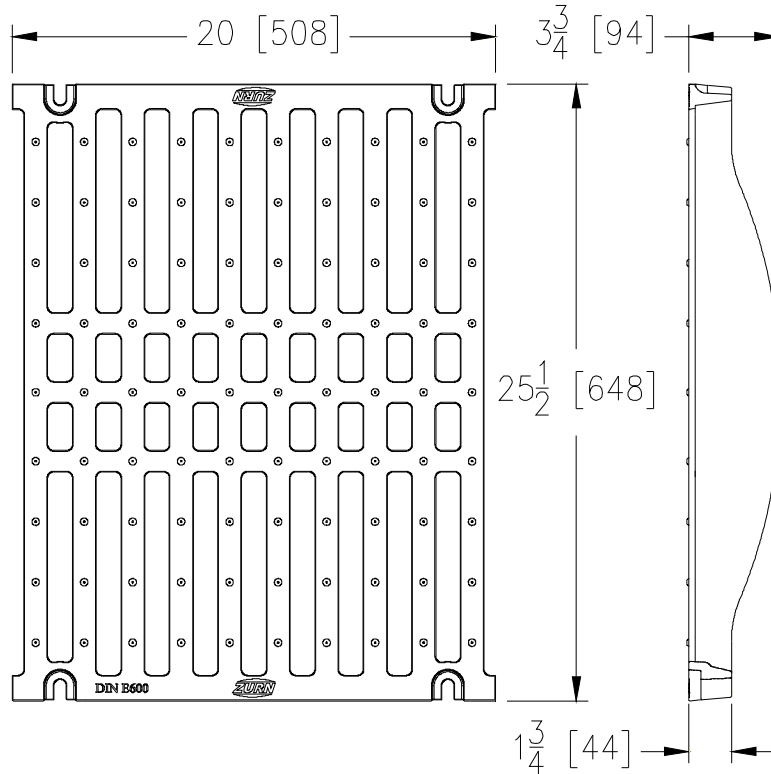
-HPD - Heel-Proof Longitudinal Ductile Iron Slotted Grate	
Material:	Ductile Iron
DIN Rating:	Class C
Weight:	55.2 lbs/ft.
Open Area:	39.4 in ² /ft.
ANSI Rating:	Heavy-Duty
Application:	Decorative Heel-Proof
Slot Width/Hole Size:	.25"
ADA:	Yes
H-20:	Yes
FAA:	No



P874-21-DGE-USA
25-1/2 [648] WIDE GRATES AND COVERS

[Back to Index](#)

Please Check	Item No.	Part Number	Item I.D.
✓	7	94525	P874-21-DGE-USA



-DGE- USA GRATE ENGINEERING SPECIFICATION: The Zurn P874-21-DGE-USA Ductile Iron Slotted Grate, is 25-1/2" [648mm] wide by 20" [508mm] long, weighing 62.80 lbs [28kg] per linear foot, open area of 122.4 in²/ft. [2591 cm²/m], DIN Rating of E, ANSI Rating of Special Duty, H-20 Load Rated and FAA Load Rated. Ductile iron conforms to ASTM specification A536, Grade 80-55-06.

-DGE-USA - Ductile Iron Slotted Grate	
Material:	Ductile Iron
DIN Rating:	Class E
Weight:	62.80 lbs/ft.
Open Area:	122.4 in ² /ft.
ANSI Rating:	Special-Duty
Application:	Extra Heavy loads
Slot Width/Hole Size:	1.0"
ADA:	No
H-20:	Yes
FAA:	Yes

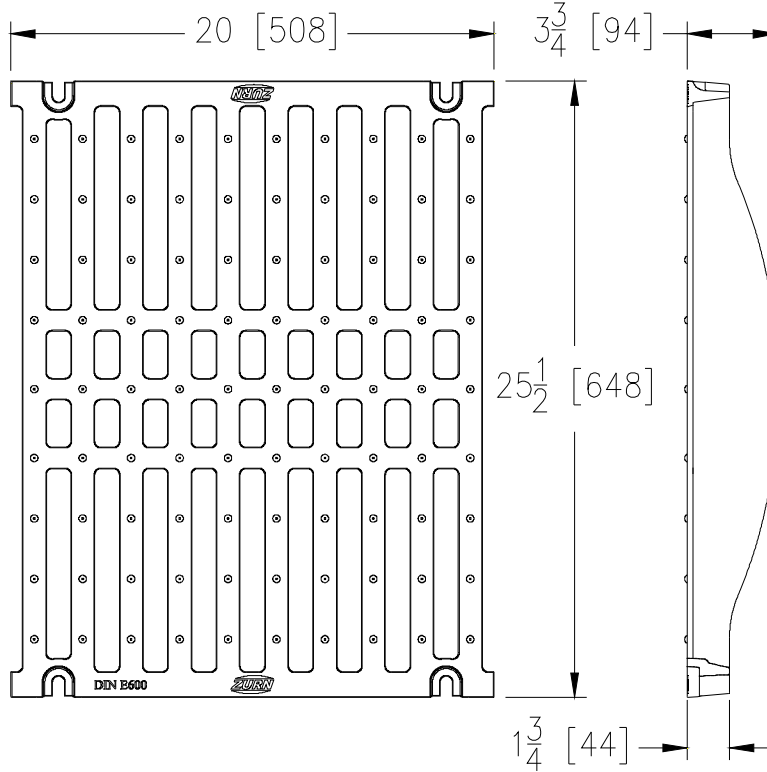




P874-21-GDE-USA
25-1/2 [648] WIDE GRATES AND COVERS

[Back to Index](#)

Please Check ✓	Item No.	Part Number	Item I.D.
	8	94525	P874-21-GDE-USA



-GDE- USA GRATE ENGINEERING SPECIFICATION: The Zurn P874-21-GDE-USA Slotted Galvanized Ductile Iron Grate, is 25-1/2" [648mm] wide by 20" [508mm] long, weighing 62.80 lbs [28kg] per linear foot. The grate has an open area of 122.4 in²/ft. [2591 cm²/m], DIN Rating of E, ANSI Rating of Special Duty, H-20 Load Rated and FAA Load Rated. Ductile iron conforms to ASTM specification A536, Grade 80-55-06. Galvanizing (Hot dip) conforms to ASTM specification A123.

-GDE-USA - Galvanized Ductile Iron Slotted Grate	
Material:	Galvanized Ductile Iron
DIN Rating:	Class E
Weight:	62.80 lbs/ft.
Open Area:	122.4 in ² /ft.
ANSI Rating:	Special-Duty
Application:	Extra-Heavy loads
Slot Width/Hole Size:	1.0"
ADA:	No
H-20:	Yes
FAA:	Yes

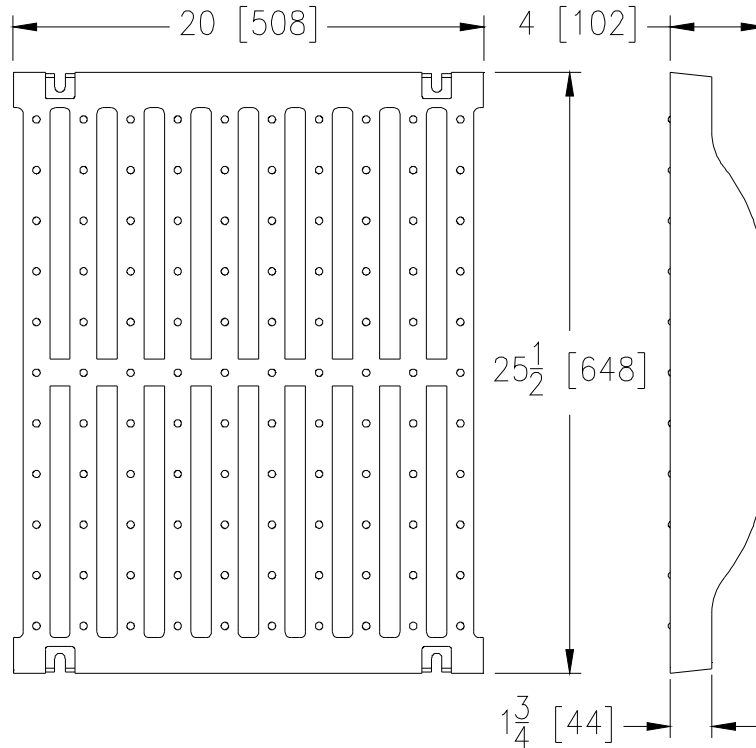




P874-21-BDF
25-1/2 [648] WIDE GRATES AND COVERS

[Back to Index](#)

Please Check	Item No.	Part Number	Item I.D.
✓	9	67589	P874-21-GDF



-BDF GRATE ENGINEERING SPECIFICATION: The Zurn P874-21-BDF Black and Acid Resistant Epoxy Coated Ductile Iron Slotted Grate is 25-1/2 [648] wide by 20 [508] long, weighing 85.2 lbs [39kg] per linear foot, open area of 111 in²/ft.[716 cent²/.3 meter], DIN Rating of F, ANSI Rating of Special-Duty, H-20 Load Rated and FAA Load Rated. Ductile iron conforms to ASTM specification A536, Grade 80-55-06.

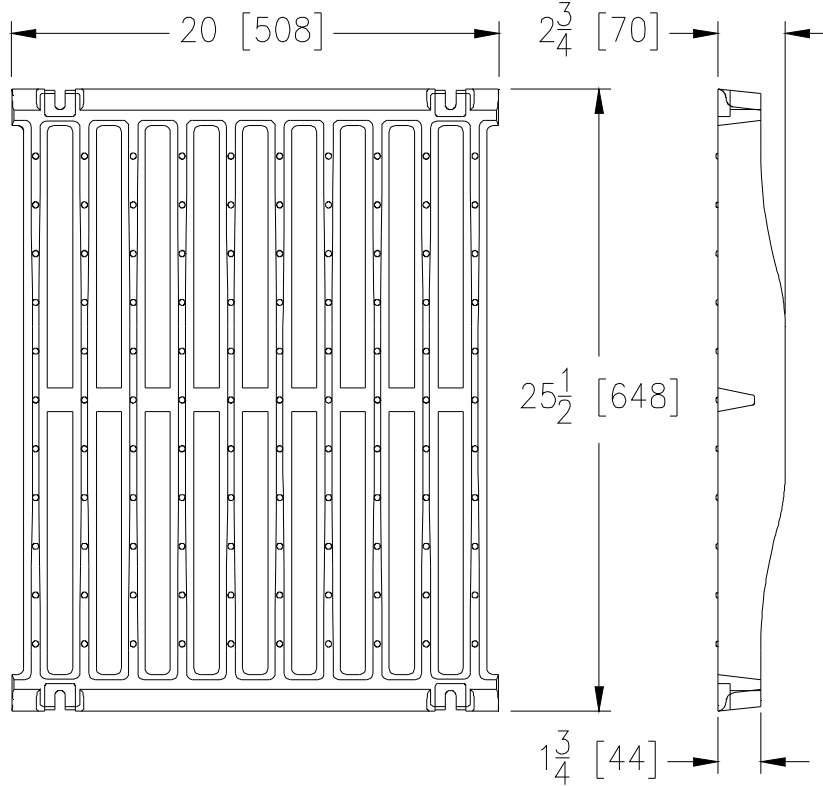
-BDF - Black Acid Resistant Ductile	
Material:	Galvanized Ductile Iron
DIN Rating:	Class F
Weight:	85.2 lbs/ft.
Open Area:	111 in ² /ft.
ANSI Rating:	Special-Duty
Application:	Airports, Extreme Loading
Slot Width/Hole Size:	.87"
ADA:	No
H-20:	Yes
FAA:	Yes



P874-21-BDC
25-1/2 [648] WIDE GRATES AND COVERS

[Back to Index](#)

Please Check ✓	Item No.	Part Number	Item I.D.
	10	67623	P874-21-BDC



-BDC GRATE ENGINEERING SPECIFICATION: The Zurn P874-21-BDC Black and Acid Resistant Epoxy Coated Ductile Iron Slotted Grate is 25-1/2" [648mm] wide by 20" [508mm] long, weighing 54 lbs [24kg] per linear foot, open area of 132 in²/ft. [2794 cm²/m], DIN Rating of C, ANSI Rating of Heavy-Duty and H-20 Load Rated. Ductile iron conforms to ASTM specification A536, Grade 80-55-06.

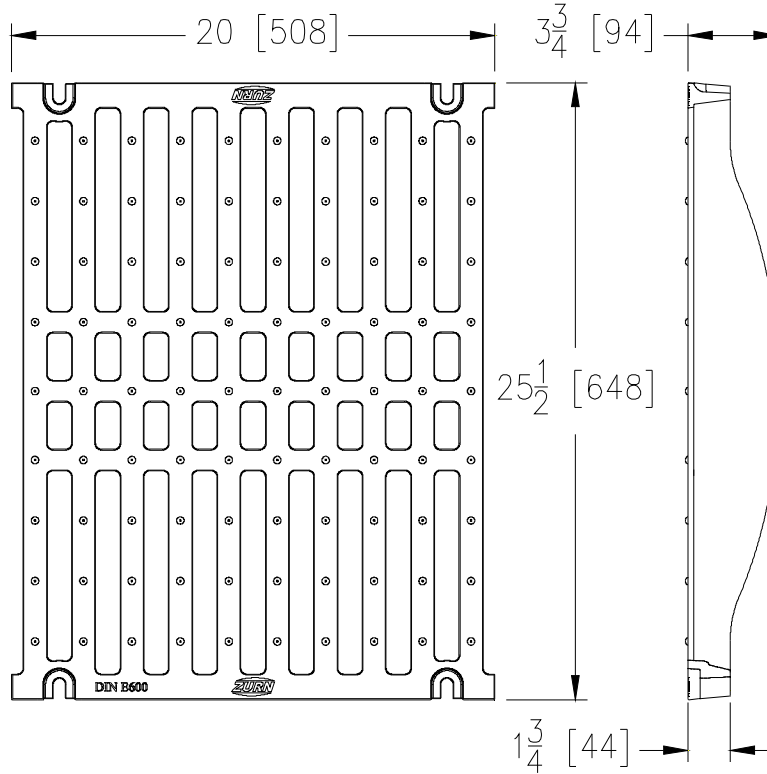
-BDC - Black Acid Resistant Ductile	
Material:	Galvanized Ductile Iron
DIN Rating:	Class C
Weight:	54 lbs/ft.
Open Area:	132 in ² /ft.
ANSI Rating:	Heavy-Duty
Application:	Vehicle Traffic
Slot Width/Hole Size:	1.03"
ADA:	No
H-20:	Yes
FAA:	No



P874-21-GDE-USA
25-1/2 [648] WIDE GRATES AND COVERS

[Back to Index](#)

Please Check	Item No.	Part Number	Item I.D.
✓	11	94525	P874-21-BDE-USA



-BDE- USA GRATE ENGINEERING SPECIFICATION: The Zurn P874-21-BDE-USA Black Acid Resistant Epoxy Coated Ductile Iron Slotted Grate, is 25-1/2" [648mm] wide by 20" [508mm] long, weighing 62.80 lbs [28kg] per linear foot. The grate has an open area of 122.4 in²/ft. [2591 cm²/m], DIN Rating of E, ANSI Rating of Special Duty, H-20 Load Rated and FAA Load Rated. Ductile iron conforms to ASTM specification A536, Grade 80-55-06.

-BDE-USA - Black Acid Resistant Ductile	
Material:	Galvanized Ductile Iron
DIN Rating:	Class E
Weight:	62.80 lbs/ft.
Open Area:	122.4 in ² /ft.
ANSI Rating:	Special-Duty
Application:	Extra-Heavy loads
Slot Width/Hole Size:	1.0"
ADA:	No
H-20:	Yes
FAA:	Yes





INDEX PAGE for 25-1/2 [648] WIDE GRATES AND COVERS

[Back to Index](#)

[↩](#) - Click on "Item ID" to go to grate page, "Back to Index" will return you to this page.

12

- P874-21-DCC.....Ductile Iron Solid Cover
- P874-21-DGC.....Ductile Iron Solid Grate
- P874-21-DGF.....Ductile Iron Solid Grate
- P874-21-GDC.....Galvanized Ductile Iron Solid Grate
- P874-21-GDF.....Galvanized Ductile Iron Solid Grate
- P874-21-HPD.....Heel-Proof Longitudinal Ductile Iron Solid Grate
- P874-21-DGE-USA.....Ductile Iron Solid Grate
- P874-21-GDE-USA.....Bronze Decorative Grate
- P874-21-BDF.....Black Acid resistant Ductile
- P874-21-BDC.....Black Acid resistant Ductile
- P874-21-BDE-USA.....Black Acid resistant Ductile