



Z884

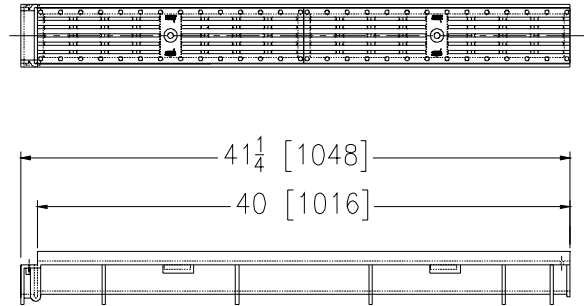
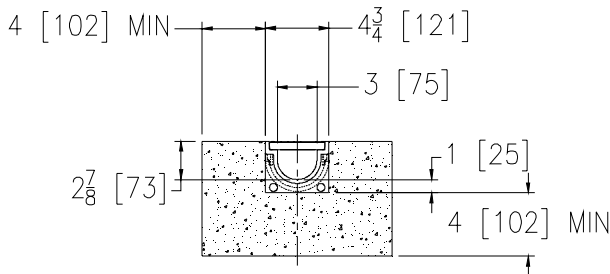
SPECIFICATION SHEET

4-3/4 [121] WIDE REVEAL TRENCH DRAIN SYSTEM

TAG _____

Dimensional Data (inches and [mm]) are Subject to Manufacturing Tolerances and Change Without Notice

SPECIFYING ENGINEER IS RESPONSIBLE FOR CONCRETE ENCASEMENT AND REINFORCING BASED UPON APPLICATION AND LOCAL CODES



NOTE: + Actual Channel length is 41-1/4 [1048] to allow for overlap.

ENGINEERING SPECIFICATION: Zurn Z884

Channels shall be 40 [1016] long, 4-3/4 [121] wide reveal and have a 3-1/4 [83] throat. Modular channel sections shall be made of 0% water absorbent Polypropylene. Shall have a positive mechanical connection between channel sections that will not separate during the installation and shall mechanically lock into the concrete surround a minimum of every 10 [254]. Channels shall weigh less than 2 lbs. [.9kg] per linear foot, have a smooth, 1.634 [41.5] radiused self cleaning bottom with a Manning's coefficient of .009 neutral 0% built in slope. Channels shall have rebar clips standard to secure trench in its final location. Shall be provided with standard HPP grates that lock down with lockdown bars to the channel and is not intended for dynamic traffic loadings. Zurn 4-1/8 [105] wide reveal Longitudinal Heelproof Polypropylene Grate is rated class A per the DIN EN1433 top load classifications. Supplied in 20 [508] nominal lengths with .25 [6] wide slots, and .75 [19] bearing depth. Grate has an open area of 18.57 sq. in per ft. [39,307 sq. mm per meter].

PREFIX OPTIONS (Check/specify appropriate options)

Z Three-foot, Four-inch Polypropylene Trench Drain System*

SUFFIX OPTIONS (Check/specify appropriate options)

Outlet Adapters Add/Each

-E1 Closed End Cap
 -E2 2 [51] No-Hub End Outlet -U3 3 [76] No-Hub Bottom Outlet

Decorative Grate Options (Load Classifications are per DIN EN1433)

- BZ Bronze Decorative Grate - Class A
- CG Cast Iron Slotted Grate - Class B
- FG Fabricated Galvanized Steel Slotted Grate - Class A
- FS Fabricated Stainless Steel Slotted Grate - Class A
- HPP Heel-Proof Polyethylene Grate - Class A*
- PG Perforated Galvanized Steel Grate - Class A
- PS Perforated Stainless Steel Grate - Class A

*REGULARLY FURNISHED UNLESS OTHERWISE SPECIFIED

REV. A	DATE: 09/23/11	C.N. NO. 122189
DWG. NO. 303167	PRODUCT NO. Z884	

ZURN INDUSTRIES, LLC ♦ SPECIFICATION DRAINAGE OPERATION ♦ 1801 Pittsburgh Ave. ♦ Erie, PA 16514

Phone: 814/455-0921 ♦ Fax: 814/454-7929 ♦ World Wide Web: www.zurn.com

In Canada: ZURN INDUSTRIES LIMITED ♦ 3544 Nashua Drive ♦ Mississauga, Ontario L4V1L2 ♦ Phone: 905/405-8272 Fax: 905/405-1292