

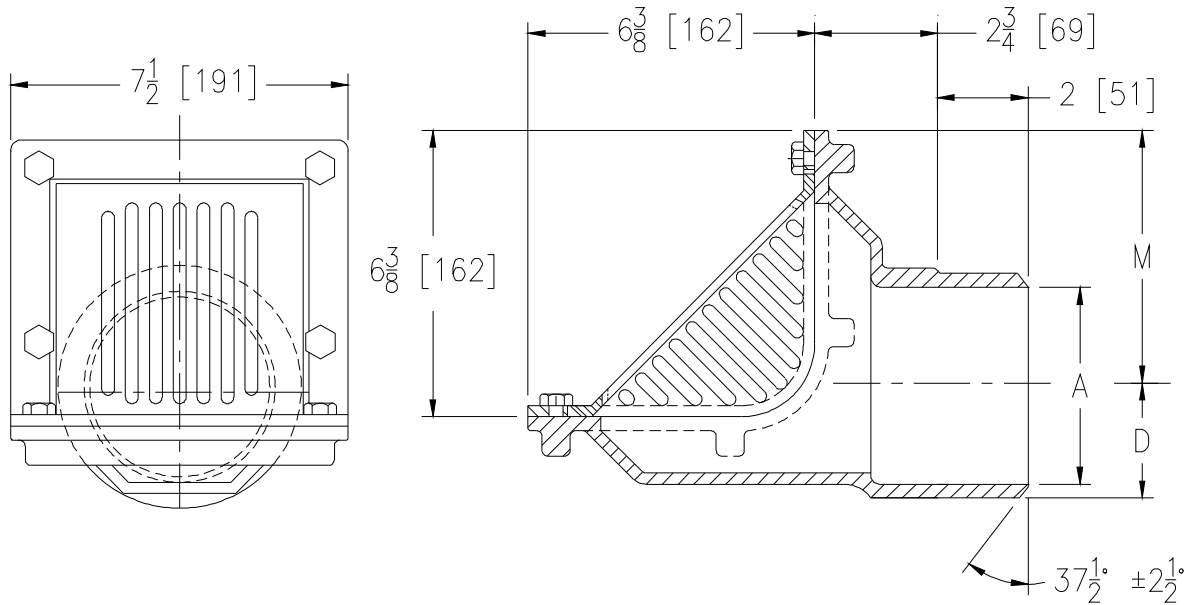


**Z1717**  
SCUPPER DRAIN

SPECIFICATION SHEET

TAG \_\_\_\_\_

Dimensional Data (inches and [ mm ]) are Subject to Manufacturing Tolerances and Change Without Notice



Dimensions in Inches [mm]			Approx. Wt. Lbs. [kg]	Grate Open Area Sq. In. [cm <sup>2</sup> ]
A- Pipe Size	D	M		
3 [76]	2 [51]	6-1/8 [156]	24 [11]	20 [129]
4 [102]	2-1/2 [63]	5-5/8 [143]		

**ENGINEERING SPECIFICATION: ZURN Z1717**  
Scupper drain with Type 304 (CF8) stainless steel body and cast aluminum oblique grate and two piece clamp collar.

**OPTIONS** (Check/specify appropriate options)

**PIPE SIZE**

3,4 [76,102]

(Specify size) **OUTLET**

\_\_\_\_\_ BW Butt-weld  
(Specify Schedule 10 or 40)

**PREFIXES**

- \_\_\_\_\_ Z Type 304 (CF8) Stainless Steel Body\*
- \_\_\_\_\_ ZM Type 316 (CF8M) Stainless Steel Body

**OPTIONS**

- \_\_\_\_\_ -VP Vandal-Proof Secured Top

\* Regularly furnished unless otherwise specified.