

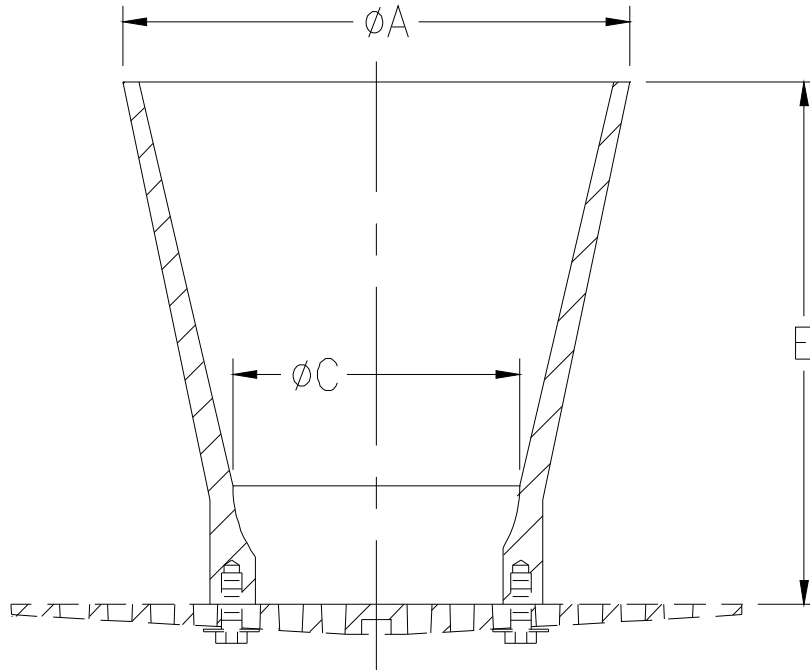


Z1724 ROUND FUNNEL

SPECIFICATION SHEET

TAG _____

Dimensional Data (inches and [mm]) are Subject to Manufacturing Tolerances and Change Without Notice



Dimensions in Inches		Approx. Wt. Lbs. [kg]
A- Pipe Size	C	
4 [102]	2-1/4 [57]	3 [1]
6 [152]	2-7/8 [73]	5 [2]

ENGINEERING SPECIFICATION: ZURN Z1724
4 or 6 [102 or 152] Round funnel Type 304 (CF8) stainless steel with satin finish and securing screws.

OPTIONS (Check/specify appropriate options)

DIAMETER (Specify size)

- ___ 4 [102]
- ___ 6 [152]

'E' BODY HT. DIM.

- 3-3/4 [95]
- 6 [152]

PREFIXES

- ___ Z Type 304 (CF8) Stainless Steel Body*
- ___ ZM Type 316 (CF8M) Stainless Steel Body

REV. D	DATE: 11/15/10	C.N. NO. 120387
DWG. NO. 59292	PRODUCT NO. Z1724	

*REGULARLY FURNISHED UNLESS OTHERWISE SPECIFIED