



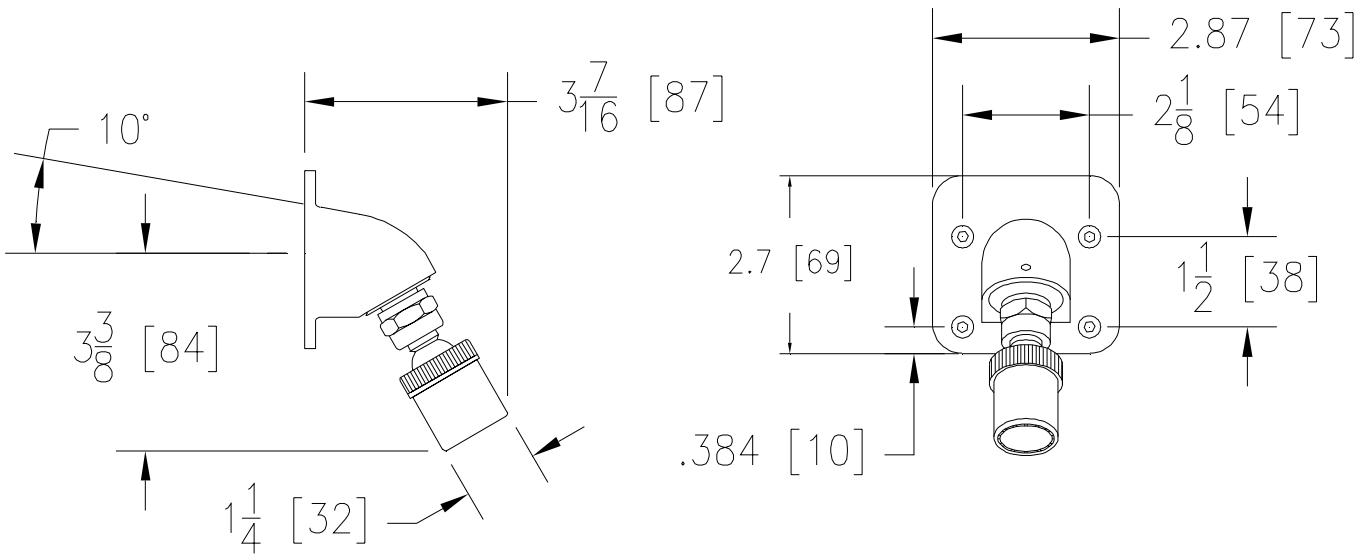
TEMP-GARD INSTITUTIONAL SHOWER WALL MOUNT W/ BALL JOINT SOLID BRASS SHOWER HEAD

Z7000-i7

TAG _____

ENGINEERING SPECIFICATIONS: ZURN Z7000-i7

Ball joint solid brass chrome plated shower head, with bronze body institutional wall mount with hard chrome plated finish, maximum flow rate 2.2 gpm at 80 psi, pressure compensating flow control feature maintains constant flow rate, 1/2" NPT female threaded inlet, fixed body width spray pattern 4 mounting screws provided, vandal resistant standard.



Note: All dimensions are for reference only. Do not use for pre-plumbing.

OPTIONS (Check/specify appropriate options) Use with Z7300 prefix

Suffix	Description
___ -AP	Anchor Plate
___ -BP	Base Plate

STANDARDS

Tested to meet the following standards for valves and plumbing fittings:
Shower Heads meet ANSI A112.18.1
Federal, PMI and State Specifications

ZURN INDUSTRIES, LLC ♦ COMMERCIAL BRASS OPERATION ♦ 2640 SOUTH WORK STREET ♦ FALCONER NY 14733

Phone: 1-716-665-1132 ♦ Fax: 1-716-665-1135 ♦ World Wide Web: www.zurn.com

In Canada: ZURN INDUSTRIES LIMITED ♦ 3544 Nashua Drive ♦ Mississauga, Ontario L4V1L2 ♦ Phone: 905/405-8272 Fax: 905/405-1292