

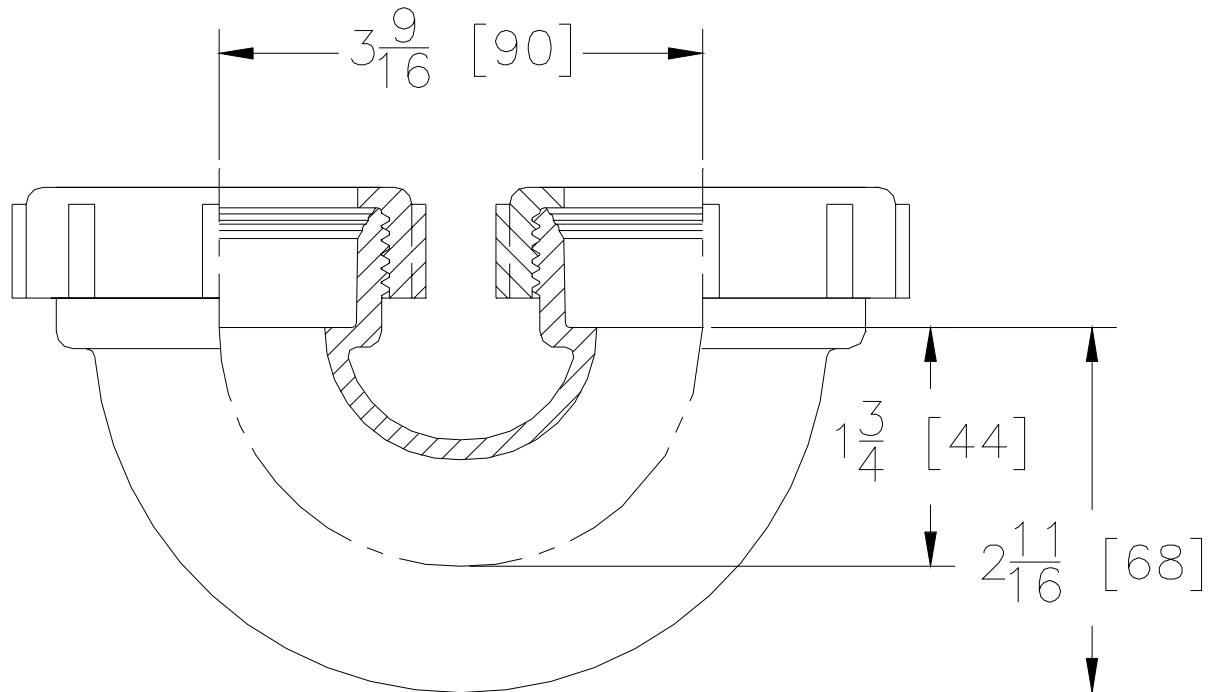


Z9A-ULOOP-112

U-LOOP

TAG _____

Dimensional Data (inches and [mm]) are Subject to Manufacturing Tolerances and Change Without Notice

**ENGINEERING SPECIFICATION:**

ASTM-F1412, F.R.P.P.-210, CSA B181.3, L20921
 ZURN Z9A-ULOOP-112 1-1/2[38] threaded X threaded
 polypropylene copolymer u-loop.

PIPE SIZE

1-1/2 [Sch 40 + Sch 80]

(Specify size/type) CONNECTION

— -M Mechanical joint seal
 — -F Fusion lock seal

REV.	DATE: 5/13/02	C.N. NO. 88493
DWG. NO. 66714	PRODUCT NO. Z9A-ULOOP-112	

*REGULARLY FURNISHED UNLESS OTHERWISE SPECIFIED

ZURN INDUSTRIES, INC. ♦ SPECIFICATION DRAINAGE OPERATION ♦ 1801 Pittsburgh Ave. ♦ Erie, PA 16514

Phone: 814/455-0921 ♦ Fax: 814/454-7929 ♦ World Wide Web: www.zurn.com

In Canada: ZURN INDUSTRIES LIMITED ♦ 3544 Nashua Drive ♦ Mississauga, Ontario L4V1L2 ♦ Phone: 905/405-8272 Fax: 905/405-1292