



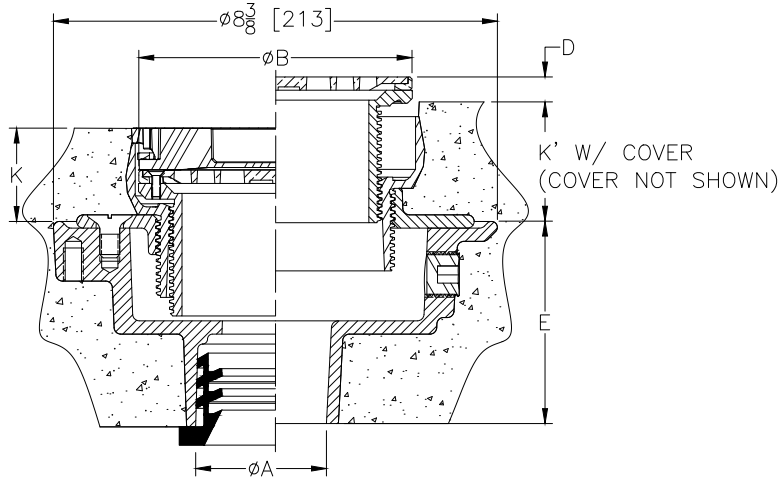
Z415-BZ1

BODY ASSEMBLY W/"TYPE B" STRAINER
and EZ1™ TECHNOLOGY

SPECIFICATION SHEET

TAG _____

Design and Dimensional Data (inches and [mm]) are Subject to Manufacturing Tolerances and Change Without Notice



Note:
Minimum K Dimension is only possible with -LR Option when using 6" [152] or 8" [203] Strainer

Dimensions In Inches								Approx. Wt. Lbs. [kg]	Strainer Open Area Sq. In [cm ²]
A Pipe Size	B Strainer Dia	D		K		K'			
		Min	Max	Min	Max	Min	Max		
2, 3 [51, 76]	5 [127]	0	1 [25]	1-25/32 [45]	2-31/32 [75]	2-9/32 [58]	3-15/32 [88]	16 [7]	6-1/4 [40]
2, 3, 4 [51, 76, 102]	6 [152]	0	1 [25]	1-13/16 [46]	3 [76]	2-5/16 [59]	3-1/2 [89]	19 [9]	9 [58]
3, 4 [76, 102]	8 [203]	0	31/32 [25]	2-5/32 [55]	3-11/32 [85]	2-21/32 [67]	3-27/32 [98]	24 [11]	20 [129]
6 [152]	8 [203]	0	31/32 [25]	2-5/32 [55]	3-11/32 [85]	2-21/32 [67]	3-27/32 [98]	26 [12]	20 [129]

ENGINEERING SPECIFICATION:

Zurn Z415-BZ1 floor and shower drain, Dura-coated cast iron body with bottom outlet, combination invertible membrane clamp and adjustable collar with seepage slots and top assembly. EZ1™ drainage series is engineered to simplify product installation, comprised of concrete shield, up to 1" [25] of vertical post pour adjustment, pre-packaged shims for tilt correction and integrated, self-contained "Type B" light duty, heel proof strainer with rough-in cover for protection during concrete pour.

OPTIONS (Check/specify appropriate options)

PIPE SIZE

- 2, 3, 4 [51, 76, 102]
- 2 [51]
- 3 [76]
- 4 [102]
- 6 [152]
- 2, 3, 4 [51, 76, 102]
- 2, 3, 4 [51, 76, 102]

(Specify size/type) OUTLET

- ___ -IC Inside Caulk
- ___ -IP Threaded
- ___ -IP Threaded
- ___ -IP Threaded
- ___ -IP Threaded
- ___ -IP Threaded
- ___ -NH No-Hub
- ___ -NL Neo-Loc

'E' BODY HT. DIM.

- 4-3/16 [106]
- 2-7/16 [62]
- 2-3/4 [70]
- 2-13/16 [71]
- 2-7/8 [73]
- 3-13/16 [97]
- 3-7/8 [98]

PREFIXES

- ___ ZB D.C.C.I. Body Assembly w/ Polished Bronze Top
- ___ ZN D.C.C.I. Body Assembly w/ Polished Nickel Bronze Top*
- ___ ZS D.C.C.I. Body Assembly w/ Polished Stainless Steel Top

SUFFIXES

- ___ -AR Acid Resisting Epoxy Coated Cast Iron
- ___ -EF 3/4 [19] Extension Frame
- ___ -G Galvanized Cast Iron
- ___ -LR Low Rough-In (For 6 [152] and 8 [203] Strainers Only)
- ___ -P Trap Primer Connection (Specify 1/2* [13] or 3/4 [19])
- ___ -SA Stabilizer Assembly for Sub-Floor Install (See Z1035)
- ___ -SQ Stabilizer Assembly for Steel Decking Install (See Z1035-Q)
- ___ -SR Stabilizer Ring Assembly for On-Grade Install
- ___ -TC Neo-Loc Test Cap Gasket (2-3-4 [51-76-102] NL Outlet Only)
- ___ -TSP Trap Seal Protection Device (Size Matches Drain Outlet Selected) (See Z1072)
- ___ -U 2 - 3-1/4 [51-83] High Post-Pour Extension Adapter
- ___ -UP 1-3/4 [44] Pre-Pour Adjustment Extension Adapter
- ___ -VP Vandal-Proof Secured Top
- ___ -Y Sediment Bucket

* Regularly furnished unless otherwise specified

⚠ WARNING: Cancer and Reproductive Harm - www.P65Warnings.ca.gov

⚠ ADVERTENCIA: Cáncer y daño reproductivo - www.P65Warnings.ca.gov

⚠ AVERTISSEMENT: Cancer et effets néfastes sur la reproduction - www.P65Warnings.ca.gov

Zurn Industries, LLC | Specification Drainage Operation
1801 Pittsburgh Avenue, Erie, PA 16502, Ph. 855.663.9876

In Canada | Zurn Industries Limited
7900 Goreway Drive, Unit 10, Brampton, Ontario L6T 5W6, Ph. 877.892.5216

www.zurn.com

Rev. G
Date: 01/02/23
C.N. No. 144898
Patent zurn.com/patents
Prod. | Dwg. No. Z415-BZ1