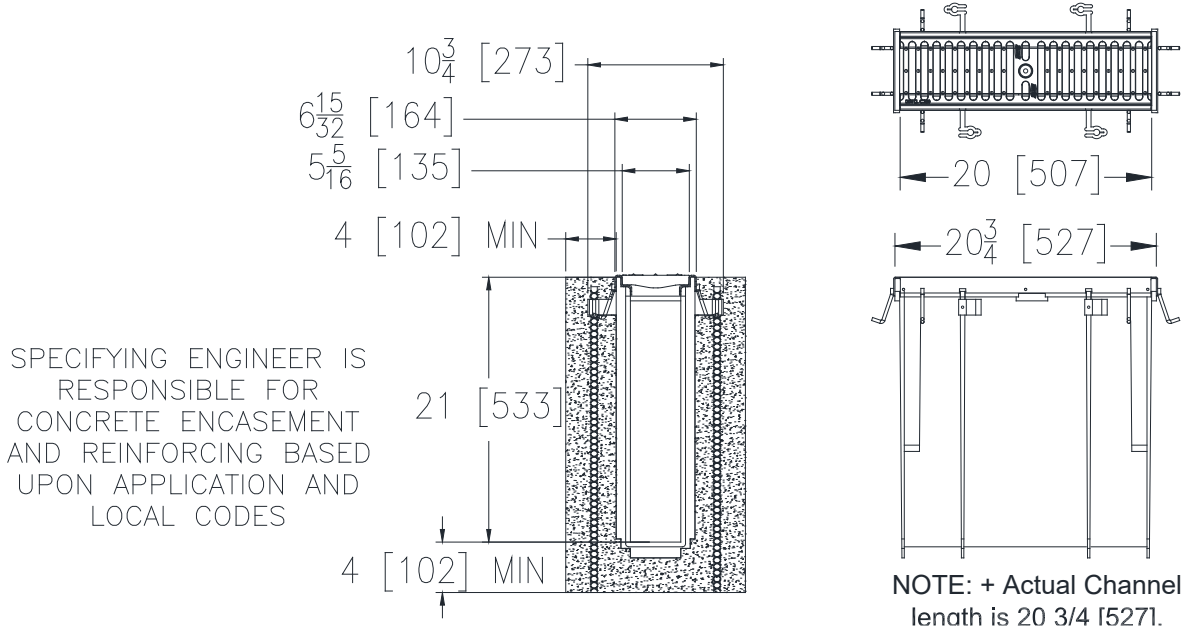




Z887-6-HDG-LD

6-7/16 [164] WIDE REVEAL X 20-3/4 [527] LONG CATCH BASIN W/ HEAVY-DUTY GALVANIZED FRAME ASSEMBLY AND LIGHT-DUTY GRATES

Design and Dimensional Data (inches and [mm]) are Subject to Manufacturing Tolerances and Change Without Notice



SPECIFYING ENGINEER IS RESPONSIBLE FOR CONCRETE ENCASEMENT AND REINFORCING BASED UPON APPLICATION AND LOCAL CODES

ENGINEERING SPECIFICATION: ZURN Z887-6-HDG-LD Catch Basin shall be 6-7/16" [164mm] wide reveal x 20-3/4" [527mm] long, and 20" [508mm] deep. The body shall be made of 0% water absorbent High Density Polyethylene (HDPE). Shall mechanically lock into the concrete surround a minimum of every 10" [254mm]. Catch basin shall weigh less than 17 lbs./ft. [25.3 kg/m]. Catch basin shall have rebar clips standard to secure basin in its final location. Shall be provided with standard GDC grates that lock down with lockdown bars to the basin and is not intended for dynamic traffic loadings. Zurn 6" [152mm] wide reveal Galvanized Ductile Iron Slotted Grate conforming to ASTM specification A536-84, Grade 80-55-06. Ductile Iron grate is rated class C per the DIN EN1433 top load classifications. Supplied in 20" [508mm] nominal lengths with 1/2" [13mm] wide slots, and 3/4" [19mm] bearing depth. Grate has an open area of 28.1 in²/ft. [603 cm²/m]. The .105" [2.66mm] thick Galvanized Heavy-Duty Carbon Steel Frame Assembly conforms to ASTM specification A36 with 4 - 4" [102mm] long concrete anchors per basin. Frame supplied with powder coated finish. All welds must be performed by a certified welder per ASTM standard AWS D1.1. Frames produced in the U.S.A.

PREFIX OPTIONS (Check/specify appropriate options)

___ Z 6" X 20" High Density Polyethylene (HDPE) Catch Basin*

SUFFIX OPTIONS (Check/specify appropriate options)

Outlet Adapters Add/Each

- ___ -E3/U3 3 [76] No-Hub End Outlet
- ___ -E4/U4 4 [102] No Hub End Outlet
- ___ -E6/U6 6 [152] No-Hub End Outlet
- ___ -IA Inlet Adapter (Z886)
- ___ -IA Inlet Adapter (Z882)

Miscellaneous Options

- ___ -VP Vandal-Proof Lockdown
- ___ -Y Sediment Bucket
- ___ -BL High Density Polyethylene (HDPE) Catch Basin with 3% Carbon Black Additive

USA Miscellaneous Options

- ___ -DB Bottom Dome Strainer

* Regularly furnished unless otherwise specified.

Frame and Grate Options on Page 2

- WARNING:** Cancer and Reproductive Harm - www.P65Warnings.ca.gov
- ADVERTENCIA:** Cáncer y daño reproductivo - www.P65Warnings.ca.gov
- AVERTISSEMENT:** Cancer et effets néfastes sur la reproduction - www.P65Warnings.ca.gov

**Z887-6-HDG-LD**

6-7/16 [164] WIDE REVEAL X 20-3/4 [527] LONG CATCH
 BASIN W/ HEAVY-DUTY GALVANIZED FRAME ASSEMBLY
 AND LIGHT-DUTY GRATES

SPECIFICATION SHEET

TAG _____

Design and Dimensional Data (inches and [mm]) are Subject to Manufacturing Tolerances and Change Without Notice

Grate Options (Load Classifications are per DIN EN1433)

___ -BDC	Black Acid Resistant Epoxy Coated Ductile Grate - Class C
___ -BG	Galvanized Ductile Iron Bar Grate - Class C
___ -DBG	Ductile Iron Cast Bar Grate - Class C
___ -DC	Ductile Iron Solid Cover - Class C
___ -DGC	Ductile Iron Slotted Grate - Class C*
___ -GDC	Galvanized Ductile Slotted Grate - Class C
___ -GG	Fiberglass Grate - Class A
___ -GHPD	Galvanized Heel-Proof Ductile Grate - Class B
___ -HPD	Heel-Proof Ductile Slotted Grate - Class B
___ -HPP	Heel-Proof Polyethylene Grate - Class A
___ -LD	Longitudinal Ductile - Class B
___ -RFGC	Reinforced Slotted Galvanized Grate - Class C
___ -RPGC	Reinforced Perforated Galvanized Grate - Class C
___ -RPGRC	Reinforced Galvanized Perforated Reverse Punch Anti-Slip Grate - Class C

MADE in the U.S.A. (Load Classifications are per DIN EN 1433)

___ -AWG	Aluminum Wire Grate - Class A
___ -DGC-USA	Ductile Iron Slotted Grate-Class C (Substitute DGE-USA)
___ -FG	Fabricated Galvanized Steel Slotted Grate - Class A
___ -GDC-USA	Galvanized Ductile Slotted Grate - Class C
___ -PG	Perforated Galvanized Steel Grate - Class A
___ -PGR	Galvanized Perforated Reverse Punch Anti-Slip ADA Grate - Class A
___ -PPC	Plastic Perforated Grate - Class B

Decorative MADE in the U.S.A. (Load Classifications are per
DIN EN1433)

___ -BZ	Bronze Decorative Grate - Class A
___ -NBZ	Nickel Bronze Decorative Grate - Class A

Decorative Grate Options (Load Classifications are per DIN
EN1433)

___ -BCD	Bronze Circular Decorative Grate - Class A
___ -BDD	Bronze Diagonal Decorative Grate - Class A
___ -DCD	Ductile Iron Circular Decorative Grate - Class C
___ -DDD	Ductile Iron Diagonal Decorative Grate - Class A
___ -DOG	Ductile Iron Decorative Grate - Class A
___ -DTW	Ductile Iron Tidal Wave Grate - Class C
___ -GMG	Galvanized Steel Mesh Grate - Class A
___ -HPB	Heel-Proof Bronze Slotted Grate - Class A

* Regularly furnished unless otherwise specified.

WARNING: Cancer and Reproductive Harm - www.P65Warnings.ca.gov**ADVERTENCIA:** Cáncer y daño reproductivo - www.P65Warnings.ca.gov**AVERTISSEMENT:** Cancer et effets néfastes sur la reproduction - www.P65Warnings.ca.gov

Zurn Industries, LLC | Specification Drainage Operation
 1801 Pittsburgh Avenue, Erie, PA 16502, Ph. 855.663.9876

In Canada | Zurn Industries Limited
 7900 Goreway Drive, Unit 10, Brampton, Ontario L6T 5W6, Ph. 877.892.5216

www.zurn.com

Rev.	A	Page 2 of 2
Date:	01/02/25	
C.N. No.	146271	
Patent	zurn.com/patents	
Prod. Dwg. No.	Z887-6-HDG-LD	