

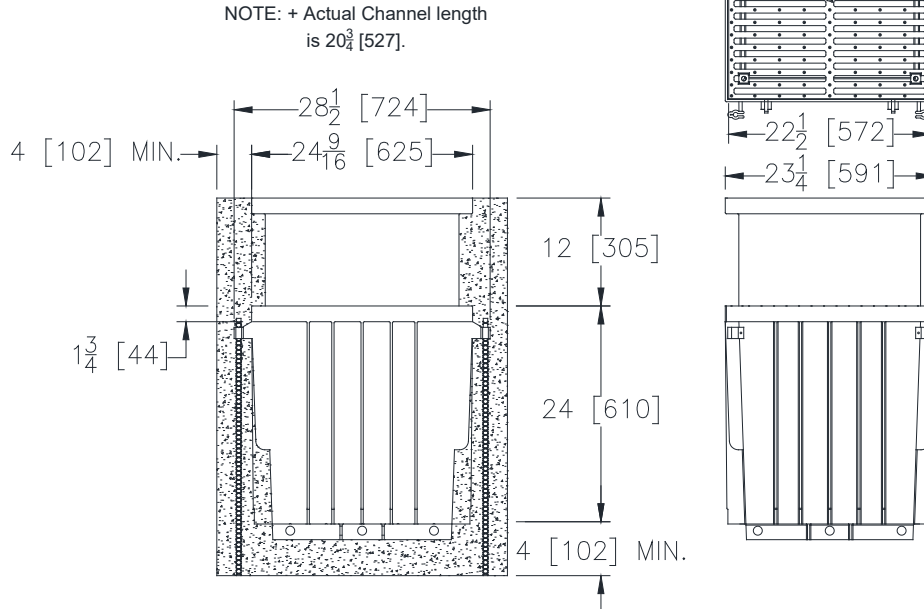


Z887-24-EXT-HD

23-1/4 [591] WIDE REVEAL BY 24-9/16 [624] LONG
CATCH BASIN WITH HEAVY DUTY FRAME AND 12 [305]
EXTENSION

Design and Dimensional Data (inches and [mm]) are Subject to Manufacturing Tolerances and Change Without Notice

SPECIFYING ENGINEER IS RESPONSIBLE FOR
CONCRETE ENCASEMENT AND REINFORCING
BASED UPON APPLICATION AND LOCAL CODES



ENGINEERING SPECIFICATION: ZURN Z887-24-EXT-HD Catch Basin shall be 23-1/4" [591mm] wide reveal x 24-9/16" [624mm] long and 24" [610mm] deep. Catch basin shall be made of 0% water absorbent High Density Polyethylene (HDPE). Shall mechanically lock into the concrete surround. Basin shall weigh less than 20.0 lbs. [9.1 kg]. Catch basin shall have rebar clips standard to secure basin in its final location. Shall be provided with standard DGC grate that locks down to 12" [305mm] high, 1/4" [6mm] thick polyethylene Extension. Zurn 22-1/4" [565mm] wide reveal Ductile Iron Slotted Grate conforming to ASTM specification A536- 84, Grade 80-55-06. Ductile Iron grate is rated class C per the DIN EN1433 top load classifications. Supplied in 24" [608mm] nominal lengths with 11/32" [9mm] wide slots, and 1-1/2" [38mm] bearing depth. Grate has an open area of 164 in²/ft. [3471 cm²/m]. The 1/4" [6mm] thick Heavy-Duty Frame Assembly conforms to either ASTM specification A36 or A536-84, with 4 - 4" [102mm] long concrete anchors per basin. The frame is supplied with a powder coated finish. All welds must be performed by a certified welder per ASTM standard AWS D1.1. Frames Shall be produced in the U.S.A.

PREFIX OPTIONS (Check/specify appropriate options)

___ Z 24" X 24" High Density Polyethylene (HDPE) Catch Basin*

SUFFIX OPTIONS (Check/specify appropriate options)

Outlet Adapters Add/Each

- ___ -E3/U3 3 [76] No-Hub End Outlet
- ___ -E4/U4 4 [102] No Hub End Outlet
- ___ -E6/U6 6 [152] No-Hub End Outlet
- ___ -IA Inlet Adapter (Z886)
- ___ -IA Inlet Adapter (Z882)

Miscellaneous Options

- ___ -VP Vandal-Proof Lockdown
- ___ -Y Sediment Bucket
- ___ -BL High Density Polyethylene (HDPE) Catch Basin with 3% Carbon Black Additive

USA Miscellaneous Options

- ___ -DB Bottom Dome Strainer

* Regularly furnished unless otherwise specified.

Frame and Grate Options on Page 2

WARNING: Cancer and Reproductive Harm - www.P65Warnings.ca.gov

ADVERTENCIA: Cáncer y daño reproductivo - www.P65Warnings.ca.gov

AVERTISSEMENT: Cancer et effets néfastes sur la reproduction - www.P65Warnings.ca.gov



Z887-24-EXT-HD

23-1/4 [591] WIDE REVEAL BY 24-9/16 [624] LONG
CATCH BASIN WITH HEAVY DUTY FRAME AND 12 [305]
EXTENSION

SPECIFICATION SHEET

TAG _____

Design and Dimensional Data (inches and [mm]) are Subject to Manufacturing Tolerances and Change Without Notice

Grate Options (Load Classifications are per DIN EN1433)

- ___ -BDC Black Acid Resistant Epoxy Coated Ductile
 Grate - Class C
- ___ -BDE Black Acid Resistant Epoxy Coated Ductile
 Grate - Class E
- ___ -DCC Ductile Iron Solid Cover - Class C
- ___ -DGC Ductile Iron Slotted Grate - Class C*
- ___ -DGE Ductile Iron Slotted Grate - Class E
- ___ -DGF Ductile Iron Slotted Grate - Class F
- ___ -GDC Galvanized Ductile Slotted Grate - Class C
- ___ -GDE Galvanized Ductile Slotted Grate - Class E
- ___ -GDF Galvanized Ductile Slotted Grate - Class F

* Regularly furnished unless otherwise specified.

WARNING: Cancer and Reproductive Harm - www.P65Warnings.ca.gov

ADVERTENCIA: Cáncer y daño reproductivo - www.P65Warnings.ca.gov

AVERTISSEMENT: Cancer et effets néfastes sur la reproduction - www.P65Warnings.ca.gov

Zurn Industries, LLC | Specification Drainage Operation
1801 Pittsburgh Avenue, Erie, PA 16502, Ph. 855.663.9876

In Canada | Zurn Industries Limited
7900 Goreway Drive, Unit 10, Brampton, Ontario L6T 5W6, Ph. 877.892.5216

www.zurn.com

Rev.	D	Page 2 of 2
Date:	01/14/25	
C.N. No.	146271	
Patent	zurn.com/patents	
Prod. Dwg. No.	Z887-24-EXT-HD	