

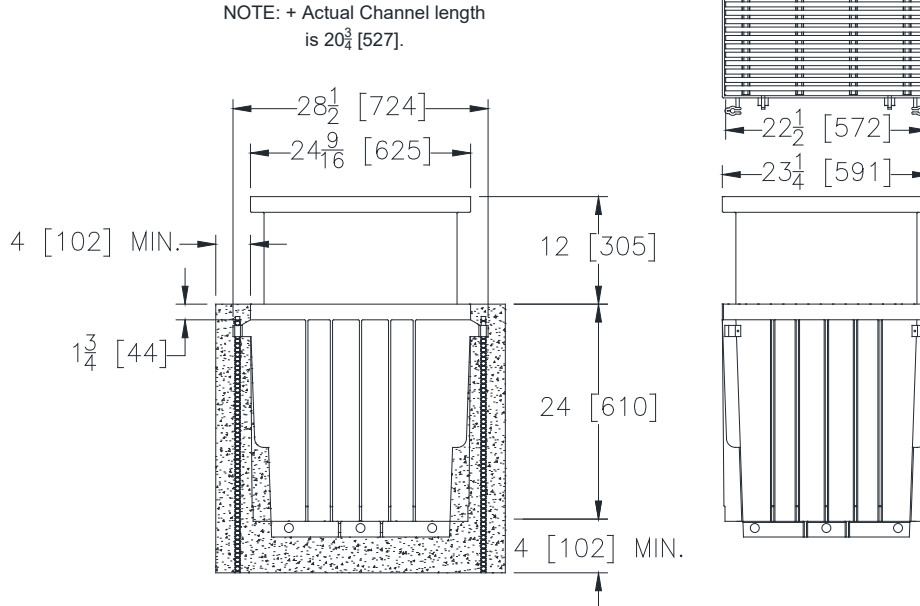


# Z887-24-EXT-HD-LD

## 23-1/4 [591] WIDE REVEAL BY 24-9/16 [624] LONG CATCH BASIN WITH HEAVY DUTY FRAME, 12 [305] EXTENSION AND LIGHT DUTY GRATES

Design and Dimensional Data (inches and [ mm ]) are Subject to Manufacturing Tolerances and Change Without Notice

SPECIFYING ENGINEER IS RESPONSIBLE FOR CONCRETE ENCASEMENT AND REINFORCING BASED UPON APPLICATION AND LOCAL CODES



**ENGINEERING SPECIFICATION:** ZURN Z887-24-EXT-HD-LD Catch Basin shall be 23-1/4" [591mm] wide reveal x 24-9/16" [624mm] long and 24" [610mm] deep. Catch basin shall be made of 0% water absorbent High Density Polyethylene (HDPE). Shall mechanically lock into the concrete surround. Basin shall weigh less than 20.0 lbs. [9.1 kg]. Catch basin shall have rebar clips standard to secure basin in its final location. Shall be provided with standard RFG grates that lock down to 12" [305mm] high, 1/4" [6mm] thick polyethylene Extension. Zurn 22-1/4" [565mm] wide reveal Reinforced Galvanized Steel Slotted Grate Reinforcing conforming to ASTM specification A536-84, Grade 80-55-06. Fabricated steel grate is rated class B per the DIN EN1433 top load classifications. Supplied in 24" [608mm] nominal lengths with 3/8" [9mm] wide slots, and 3/4" [19mm] bearing depth. The 1/4" [6mm] thick Heavy-Duty Frame Assembly conforms to either ASTM specification A36 or A536-84, with 4 - 4" [102mm] long concrete anchors per basin. Frame supplied with powder coated finish. All welds must be performed by a certified welder per ASTM standard AWS D1.1. Frames Shall be produced in the U.S.A.. System loading is based on grate being used.

**PREFIX OPTIONS** (Check/specify appropriate options)

\_\_\_ Z 12" X 24" High Density Polyethylene (HDPE) Catch Basin\*

**SUFFIX OPTIONS** (Check/specify appropriate options)

**Outlet Adapters Add/Each**

- \_\_\_ -E3/U3 3 [76] No-Hub End Outlet
- \_\_\_ -E4/U4 4 [102] No Hub End Outlet
- \_\_\_ -E6/U6 6 [152] No-Hub End Outlet
- \_\_\_ -IA Inlet Adapter (Z886)
- \_\_\_ -IA Inlet Adapter (Z882)

**Miscellaneous Options**

- \_\_\_ -VP Vandal-Proof Lockdown
- \_\_\_ -Y Sediment Bucket
- \_\_\_ -BL High Density Polyethylene (HDPE) Catch Basin with 3% Carbon Black Additive

**USA Miscellaneous Options**

- \_\_\_ -DB Bottom Dome Strainer

\* Regularly furnished unless otherwise specified.

**WARNING:** Cancer and Reproductive Harm - [www.P65Warnings.ca.gov](http://www.P65Warnings.ca.gov)

**ADVERTENCIA:** Cáncer y daño reproductivo - [www.P65Warnings.ca.gov](http://www.P65Warnings.ca.gov)

**AVERTISSEMENT:** Cancer et effets néfastes sur la reproduction - [www.P65Warnings.ca.gov](http://www.P65Warnings.ca.gov)

Frame and Grate Options on Page 2



# Z887-24-EXT-HD-LD

23-1/4 [591] WIDE REVEAL BY 24-9/16 [624] LONG CATCH  
BASIN WITH HEAVY DUTY FRAME, 12 [305] EXTENSION  
AND LIGHT DUTY GRATES

Design and Dimensional Data (inches and [ mm ]) are Subject to Manufacturing Tolerances and Change Without Notice

**Grate Options** (Load Classifications are per DIN EN1433)

- \_\_\_ -BDC Black Acid Resistant Epoxy Coated Ductile Grate - Class C
- \_\_\_ -BG Galvanized Ductile Slotted Bar Grate - Class A
- \_\_\_ -DCC Ductile Iron Solid Cover - Class C
- \_\_\_ -DGC Ductile Iron Slotted Grate - Class C
- \_\_\_ -GDC Galvanized Ductile Slotted Grate - Class C
- \_\_\_ -GG Fiberglass Grate - Class A
- \_\_\_ -SBG Stainless Steel Bar Grate - Class A

**MADE in the U.S.A.** (Load Classifications are per DIN EN 1433)

- \_\_\_ -FG Fabricated Galvanized Steel Slotted Grate - Class A
- \_\_\_ -FS Fabricated Stainless Steel Slotted Grate - Class A\
- \_\_\_ -PG Perforated Galvanized Steel Grate - Class A
- \_\_\_ -PS Perforated Stainless Steel Grate - Class A
- \_\_\_ -RFG Reinforced Galvanized Steel Slotted Grate - Class B\*
- \_\_\_ -RFS Reinforced Stainless Steel Slotted Grate - Class B
- \_\_\_ -RPG Reinforced Galvanized Perforated Grate - Class B
- \_\_\_ -RPS Reinforced Stainless Steel Perforated Grate - Class B
- \_\_\_ -RPSR-USA Reinforced Stainless Steel Perforated ADA Grate - Class B

\* Regularly furnished unless otherwise specified.

**WARNING:** Cancer and Reproductive Harm - [www.P65Warnings.ca.gov](http://www.P65Warnings.ca.gov)

**ADVERTENCIA:** Cáncer y daño reproductivo - [www.P65Warnings.ca.gov](http://www.P65Warnings.ca.gov)

**AVERTISSEMENT:** Cancer et effets néfastes sur la reproduction - [www.P65Warnings.ca.gov](http://www.P65Warnings.ca.gov)