



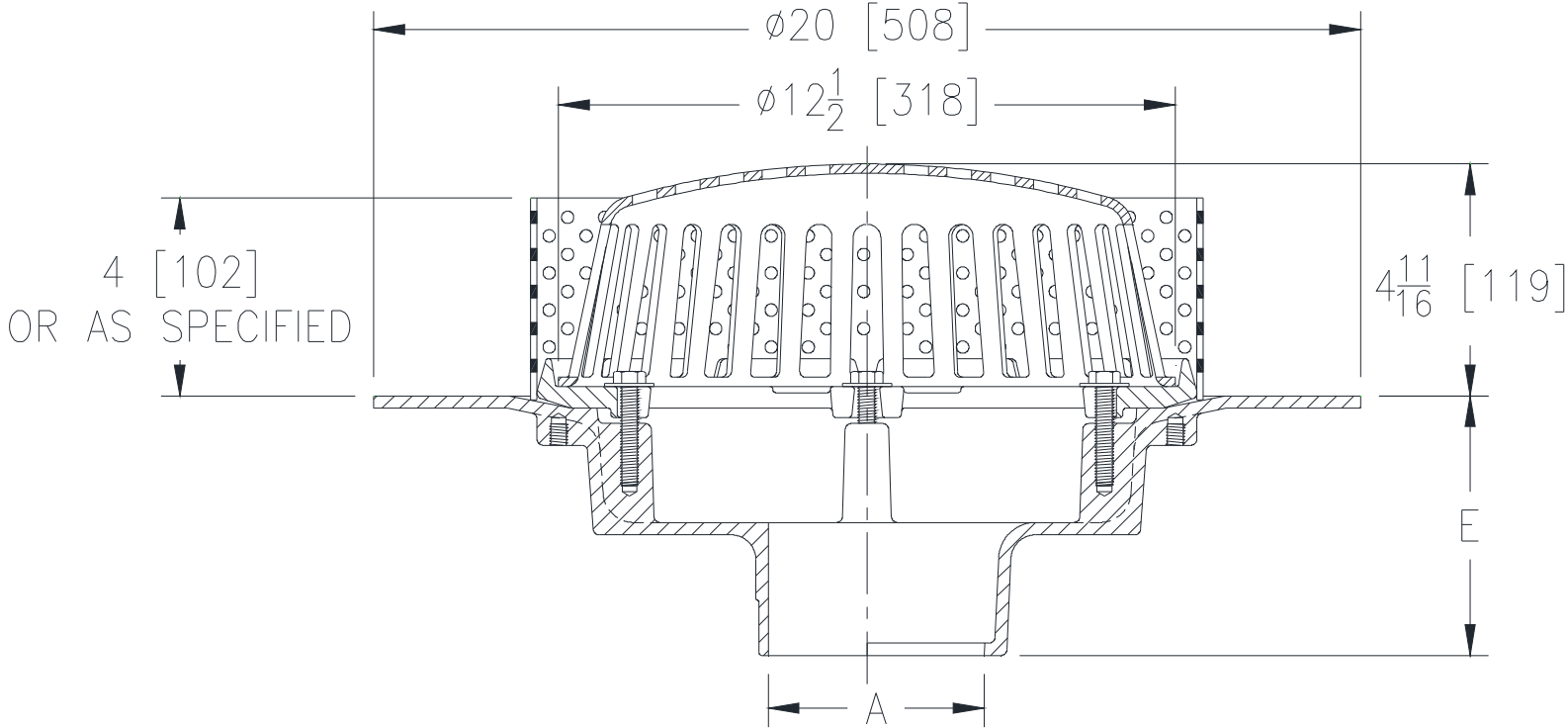
# Z107-84

20 [508] WIDE DECK FLANGE ROOF DRAIN  
W/ STAINLESS STEEL PERFORATED GRAVEL GUARD

SPECIFICATION SHEET

TAG \_\_\_\_\_

Dimensional Data (inches and [ mm ]) are Subject to Manufacturing Tolerances and Change Without Notice



A Pipe Size In [mm]	Approx. Wt. Lbs. [kg]	Dome Open Area Sq. In. [cm <sup>2</sup> ]
3, 4 [76, 102]	40 [18]	103 [665]
6, 8 [152, 203]		

### ENGINEERING SPECIFICATION: ZURN Z107-84

20" [508mm] Diameter wide deck flange roof drain. Dura-Coated cast iron body with combination membrane flashing clamp/gravel guard, stainless steel perforated gravel guard and low silhouette Poly-Dome.

### OPTIONS (Check/specify appropriate options)

#### PIPE SIZE

- 3, 4, 6 [76, 102, 152]
- 3, 4 [76, 102]
- 3, 4, 6, 8 [76, 102, 152, 203]

#### (Specify size/type) OUTLET

- \_\_\_ IC Inside Caulk
- \_\_\_ IP Threaded
- \_\_\_ NH No-Hub

#### E BODY HT. DIM.

- 5-1/4 [133]
- 5-1/4 [133]
- 5-1/4 [133]

### PREFIXES

- \_\_\_ Z D.C.C.I. Body with Poly-Dome\*
- \_\_\_ ZA D.C.C.I. Body with Aluminum Dome
- \_\_\_ ZC D.C.C.I. Body with Cast Iron Dome

### SUFFIXES

- |   |   |
|---|---|
| ___ -AC Angular Underdeck Clamp                           | ___ -SS Stainless Steel Mesh Screen Over Dome |
| ___ -AR Acid Resistant Epoxy Coated                       | ___ -VP Vandal-Proof Secured Top              |
| ___ -C Underdeck Clamp                                    | ___ -W2 2 [51] Internal Water Dam             |
| ___ -E Static Extension 1 [25] thru 4 [102] (Specify Ht.) | ___ -W3 3 [76] Internal Water Dam             |
| ___ -EA Adjustable Extension Assembly                     | ___ -W4 4 [102] Internal Water Dam            |
| 2-1/8 [54] thru 3-1/2 [89]                                | ___ -85 Stainless Steel Perforated Extension  |
| ___ -FG Flush Grate (Replaces Dome Strainer)              | ___ -89 2 [51] High External Water Dam        |
| ___ -G Galvanized Cast Iron                               |   |

\* Regularly furnished unless otherwise specified.

Zurn Industries, LLC | Specification Drainage Operation  
1801 Pittsburgh Avenue, Erie, PA U.S.A. 16502 · Ph. 855-663-9876, Fax 814-454-7929  
In Canada | Zurn Industries Limited  
3544 Nashua Drive, Mississauga, Ontario L4V 1L2 · Ph. 905-405-8272, Fax 905-405-1292  
[www.zurn.com](http://www.zurn.com)

Rev. B  
Date: 09/29/2017  
C.N. No. 138188  
Prod. | Dwg. No. Z107-84