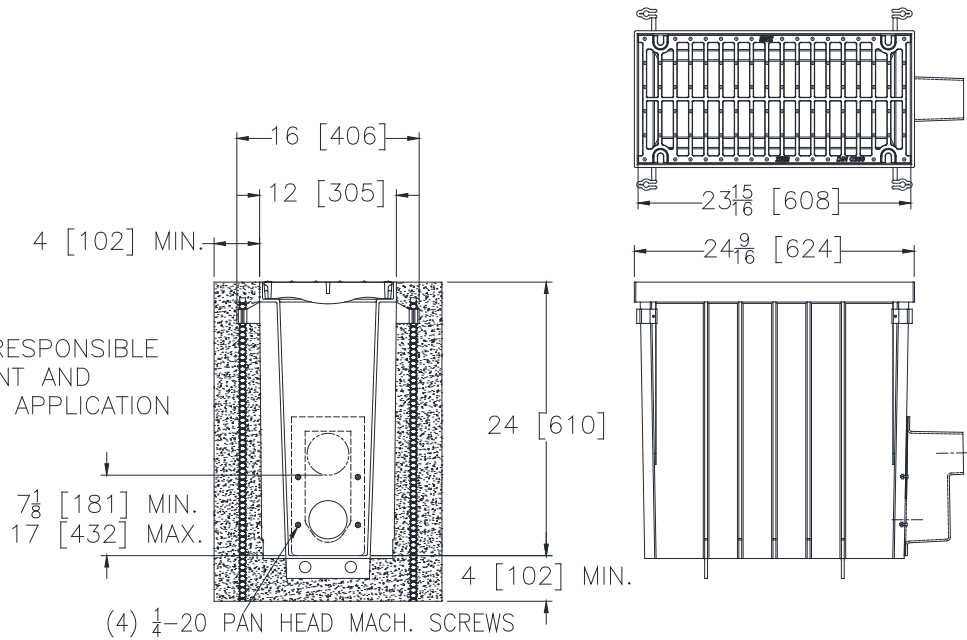




# Z887-12-FT

## 12 [305] WIDE REVEAL BY 24-9/16 [624] LONG CATCH BASIN WITH 4 [102] DIA. FOUL AIR TRAP

Design and Dimensional Data (inches and [ mm ]) are Subject to Manufacturing Tolerances and Change Without Notice



SPECIFYING ENGINEER IS RESPONSIBLE FOR CONCRETE ENCASEMENT AND REINFORCING BASED UPON APPLICATION AND LOCAL CODES

NOTE: + Actual Channel length is 24 9/16 [624].

**ENGINEERING SPECIFICATION:** ZURN Z887-12-FT Catch Basin shall be 12" [305mm] wide reveal x 24-9/16" [624mm] long, and 24" [610mm] deep. Catch basin shall be made of 0% water absorbent High Density Polyethylene (HDPE). Shall mechanically lock into the concrete surround every 10" [254mm]. Basin shall weigh less than 14.6 lbs.[6.6 kg]. Catch basin shall have rebar clips standard to secure basin in its final location. Shall be provided with standard DGC grate. Zurn 12" [305mm] wide reveal Ductile Iron Slotted Grate conforming to ASTM specification A536-84, Grade 80-55-06. Ductile Iron grate is rated class C per the DIN EN1433 top load classifications. Supplied in 24" [608mm] nominal lengths with 13/16" [21mm] wide slots, and 1-1/2" [38mm] bearing depth. Grate has an open area of 80.8 in<sup>2</sup>/ft. [171 cm<sup>2</sup>/m].

**PREFIX OPTIONS** (Check/specify appropriate options)

\_\_\_ Z 12" X 24" High Density Polyethylene (HDPE) Catch Basin\*

**SUFFIX OPTIONS** (Check/specify appropriate options)

**Outlet Adapters Add/Each**

- \_\_\_ -E3/U3 3 [76] No-Hub End Outlet
- \_\_\_ -E4/U4 4 [102] No Hub End Outlet
- \_\_\_ -E6/U6 6 [152] No-Hub End Outlet
- \_\_\_ -IA Inlet Adapter (Z886)
- \_\_\_ -IA Inlet Adapter (Z882)

**Miscellaneous Options**

- \_\_\_ -VP Vandal-Proof Lockdown
- \_\_\_ -Y Sediment Bucket
- \_\_\_ -BL High Density Polyethylene (HDPE) Catch Basin with 3% Carbon Black Additive

**USA Miscellaneous Options**

- \_\_\_ -DB Bottom Dome Strainer

\* Regularly furnished unless otherwise specified.

Frame and Grate Options on Page 2

- ⚠ WARNING:** Cancer and Reproductive Harm - [www.P65Warnings.ca.gov](http://www.P65Warnings.ca.gov)
- ⚠ ADVERTENCIA:** Cáncer y daño reproductivo - [www.P65Warnings.ca.gov](http://www.P65Warnings.ca.gov)
- ⚠ AVERTISSEMENT:** Cancer et effets néfastes sur la reproduction - [www.P65Warnings.ca.gov](http://www.P65Warnings.ca.gov)



# Z887-12-FT

12 [305] WIDE REVEAL BY 24-9/16 [624] LONG CATCH  
BASIN WITH 4 [102] DIA. FOUL AIR TRAP

SPECIFICATION SHEET

TAG \_\_\_\_\_

Design and Dimensional Data (inches and [ mm ]) are Subject to Manufacturing Tolerances and Change Without Notice

### Frame Options

- \_\_\_ -CBF Black Acid Resistant Coated Frame
- \_\_\_ -HD Steel Heavy-Duty Frame Assembly
- \_\_\_ -HDG Galvanized Steel Heavy-Duty Frame Assembly
- \_\_\_ -HDS Stainless Steel Heavy-Duty Frame Assembly
- \_\_\_ -SF Type 304 Stainless Steel Top Veneer Frame

### MADE in the U.S.A. (Load Classifications are per DIN EN 1433)

- \_\_\_ -ADA-USA Meets Americans with Disabilities Act Requirements - Class C
- \_\_\_ -DGC-USA Ductile Iron Slotted Grate-Class C
- \_\_\_ -FG Fabricated Galvanized Steel Slotted Grate - Class A
- \_\_\_ -FS Fabricated Stainless Steel Slotted Grate - Class A
- \_\_\_ -GADA-USA Galvanized Ductile ADA Slotted Grate - Class C
- \_\_\_ -GDC-USA Galvanized Ductile Slotted Grate - Class C
- \_\_\_ -PG Perforated Galvanized Steel Grate - Class A
- \_\_\_ -PS Perforated Stainless Steel Grate - Class A
- \_\_\_ -RFG-USA Reinforced Galvanized Steel Slotted Grate - Class B
- \_\_\_ -RFS-USA Reinforced Stainless Steel Slotted Grate - Class B
- \_\_\_ -RPG-USA Reinforced Galvanized Perforated ADA Grate - Class B
- \_\_\_ -RPGR Reinforced Galvanized Perforated Reverse Punch Anti-Slip ADA Grate - Class B
- \_\_\_ -RPS-USA Reinforced Stainless Steel Perforated ADA Grate - Class B
- \_\_\_ -RPSR Reinforced Stainless Steel Perforated Reverse Punch Anti-Slip ADA Grate - Class B
- \_\_\_ -SBG-L Stainless Steel Bar Grate - Class C

### Grate Options (Load Classifications are per DIN EN1433)

- \_\_\_ -BDC Black Acid Resistant Epoxy Coated Ductile Grate - Class C
- \_\_\_ -DC Ductile Iron Solid Cover-Class C
- \_\_\_ -DGC Ductile Iron Slotted Grate - Class C\*
- \_\_\_ -GDC Galvanized Ductile Slotted Grate - Class C
- \_\_\_ -GG Fiberglass Grate - Class A
- \_\_\_ -GHPD Galvanized Heel-Proof Ductile Grate - Class C
- \_\_\_ -HPD Heel-Proof Ductile Slotted Grate - Class B
- \_\_\_ -RFGC Reinforced Slotted Galvanized Grate - Class C
- \_\_\_ -RFSC Reinforced Slotted Stainless Steel Grate - Class C
- \_\_\_ -RPGC Reinforced Perforated Galvanized Grate - Class C
- \_\_\_ -RPGRC Reinforced Galvanized Perforated Reverse Punch Anti-Slip Grate - Class C
- \_\_\_ -RPSC Reinforced Perforated Stainless Steel Grate - Class C
- \_\_\_ -RPSRC Reinforced Perforated Stainless Steel Reverse Punch Grate - Class C

\* Regularly furnished unless otherwise specified.

**WARNING:** Cancer and Reproductive Harm - [www.P65Warnings.ca.gov](http://www.P65Warnings.ca.gov)

**ADVERTENCIA:** Cáncer y daño reproductivo - [www.P65Warnings.ca.gov](http://www.P65Warnings.ca.gov)

**AVERTISSEMENT:** Cancer et effets néfastes sur la reproduction - [www.P65Warnings.ca.gov](http://www.P65Warnings.ca.gov)

Zurn Industries, LLC | Specification Drainage Operation  
1801 Pittsburgh Avenue, Erie, PA 16502, Ph. 855.663.9876

In Canada | Zurn Industries Limited  
7900 Goreway Drive, Unit 10, Brampton, Ontario L6T 5W6, Ph. 877.892.5216

[www.zurn.com](http://www.zurn.com)

Rev.	C
Date:	01/14/25
C.N. No.	146271
Patent	<a href="http://zurn.com/patents">zurn.com/patents</a>
Prod.   Dwg. No.	Z887-12-FT

Page 2 of 2