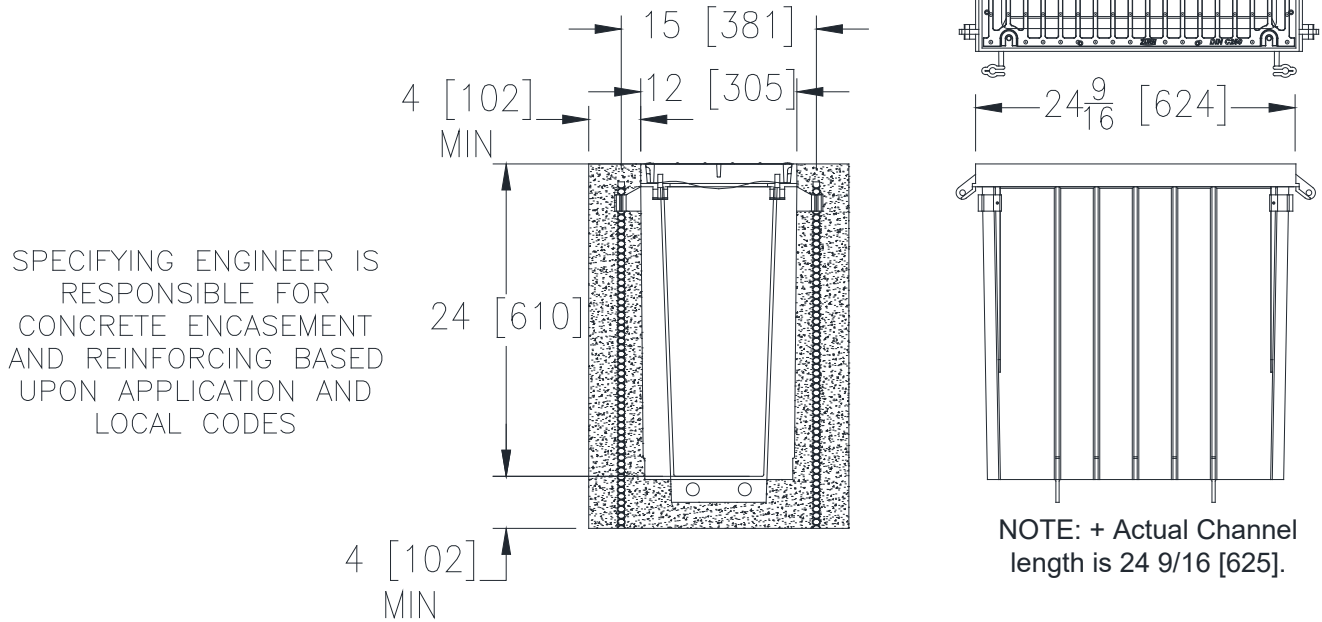




Z887-12-HD

12 [305] WIDE REVEAL BY 24-9/16 [624] LONG CATCH BASIN WITH HEAVY-DUTY FRAME ASSEMBLY

Design and Dimensional Data (inches and [mm]) are Subject to Manufacturing Tolerances and Change Without Notice



SPECIFYING ENGINEER IS RESPONSIBLE FOR CONCRETE ENCASEMENT AND REINFORCING BASED UPON APPLICATION AND LOCAL CODES

ENGINEERING SPECIFICATION: ZURN Z887-12-HD Catch Basin shall be 12" [305mm] wide reveal x 24-9/16" [624]mm long and 24" [610mm] deep. Catch basin shall be made of 0% water absorbent High Density Polyethylene (HDPE). Shall mechanically lock into the concrete surround every 10" [254mm]. Basin shall weigh less than 14.6 lbs.[6.6 kg]. Catch basin shall have rebar clips standard to secure basin in its final location. Shall be provided with standard DGC grates that lock down to frame. Zurn 12" [305mm] wide reveal Ductile Iron Slotted Grate conforming to ASTM specification A536-84, Grade 80-55- 06. Ductile Iron grate is rated class C per the DIN EN1433 top load classifications. Supplied in 24" [608mm] nominal lengths with 13/16" [21mm] wide slots, and 1-1/2" [38mm] bearing depth. Grate has an open area of 80.80 in²/ft. [171 cm²/m]. The 1/4" [6mm] thick Heavy-Duty Carbon Steel Frame Assembly conforms to ASTM specification A36 with 4 - 4" [102mm] long concrete anchors per basin. Frame supplied with powder coated finish. All welds must be performed by a certified welder per ASTM standard AWS D1.1. Frames Shall be produced in the U.S.A.

PREFIX OPTIONS (Check/specify appropriate options)

___ Z 12" X 24" High Density Polyethylene (HDPE) Catch Basin*

SUFFIX OPTIONS (Check/specify appropriate options)

Outlet Adapters Add/Each

- ___ -E3/U3 3 [76] No-Hub End Outlet
- ___ -E4/U4 4 [102] No Hub End Outlet
- ___ -E6/U6 6 [152] No-Hub End Outlet
- ___ -IA Inlet Adapter (Z886)
- ___ -IA Inlet Adapter (Z882)

Miscellaneous Options

- ___ -BL High Density Polyethylene (HDPE) System with 3% Carbon Black Additive
- ___ -VP Vandal-Proof Lockdown
- ___ -Y Sediment Bucket

USA Miscellaneous Options

- ___ -DB Bottom Dome Strainer

* Regularly furnished unless otherwise specified.

Frame and Grate Options on Page 2

- ⚠ **WARNING:** Cancer and Reproductive Harm - www.P65Warnings.ca.gov
- ⚠ **ADVERTENCIA:** Cáncer y daño reproductivo - www.P65Warnings.ca.gov
- ⚠ **AVERTISSEMENT:** Cancer et effets néfastes sur la reproduction - www.P65Warnings.ca.gov



Z887-12-HD

12 [305] WIDE REVEAL BY 24-9/16 [624] LONG CATCH BASIN WITH HEAVY-DUTY FRAME ASSEMBLY

Design and Dimensional Data (inches and [mm]) are Subject to Manufacturing Tolerances and Change Without Notice

Grate Options (Load Classifications are per DIN EN1433)

- ___ -BDC Black Acid Resistant Epoxy Coated Ductile Grate - Class C
- ___ -BDE Black Acid Resistant Epoxy Coated Ductile Grate - Class E
- ___ -DC Ductile Iron Solid Cover-Class C
- ___ -DGC Ductile Iron Slotted Grate - Class C*
- ___ -DGE Ductile Iron Slotted Grate - Class E
- ___ -DGF Ductile Iron Slotted Grate - Class F
- ___ -GDC Galvanized Ductile Slotted Grate - Class C
- ___ -GDE Galvanized Ductile Slotted Grate - Class E
- ___ -GDF Galvanized Ductile Slotted Grate - Class F
- ___ -GHPD Galvanized Heel-Proof Ductile Grate - Class B
- ___ -GHPDE Galvanized Heel-Proof Ductile Grate - Class E
- ___ -HPDE Heel-Proof Ductile Slotted Grate - Class E
- ___ -RFGC Reinforced Slotted Galvanized Grate - Class C
- ___ -RFSC Reinforced Slotted Stainless Steel Grate - Class C
- ___ -RPGC Reinforced Perforated Galvanized Grate - Class C
- ___ -RPGRC Reinforced Galvanized Perforated Reverse Punch Anti-Slip Grate - Class C
- ___ -RPSC Reinforced Perforated Stainless Steel Grate - Class C
- ___ -RPSRC Reinforced Perforated Stainless Steel Reverse Punch Grate - Class C

MADE in the U.S.A. (Load Classifications are per DIN EN 1433)

- ___ -ADA-USA Meets Americans with Disabilities Act Requirements - Class C
- ___ -DGC-USA Ductile Iron Slotted Grate-Class C
- ___ -DGE-USA Ductile Iron Slotted Grate-Class E
- ___ -GADA-USA Galvanized Ductile ADA Slotted Grate - Class C
- ___ -GDC-USA Galvanized Ductile Slotted Grate - Class C
- ___ -GDE-USA Galvanized Ductile Slotted Grate - Class E
- ___ -GHPDE-USA Galvanized Heel-Proof Ductile Grate - Class E
- ___ -HPDE-USA Heel-Proof Ductile Slotted Grate - Class E
- ___ -SBG-L Stainless Steel Bar Grate - Class C

* Regularly furnished unless otherwise specified.

⚠ WARNING: Cancer and Reproductive Harm - www.P65Warnings.ca.gov

⚠ ADVERTENCIA: Cáncer y daño reproductivo - www.P65Warnings.ca.gov

⚠ AVERTISSEMENT: Cancer et effets néfastes sur la reproduction - www.P65Warnings.ca.gov