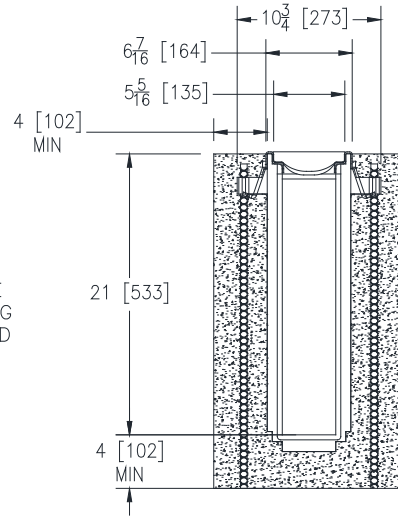




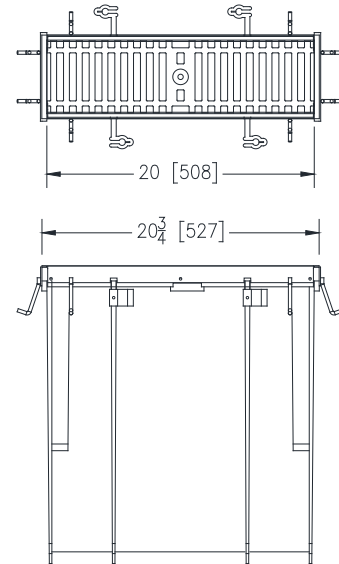
Z887-6-HDS

6-7/16 [164] WIDE REVEAL X 20-3/4 [527] LONG CATCH BASIN WITH STAINLESS STEEL HEAVY DUTY FRAME

Design and Dimensional Data (inches and [mm]) are Subject to Manufacturing Tolerances and Change Without Notice



SPECIFYING ENGINEER IS RESPONSIBLE FOR CONCRETE ENCASEMENT AND REINFORCING BASED UPON APPLICATION AND LOCAL CODES



NOTE: + Actual Channel length is 20 3/4 [527].

ENGINEERING SPECIFICATION: ZURN Z887-6-HDS Catch Basin shall be 6-7/16" [164mm] wide reveal x 20-3/4" [527mm] long, and 20" [508mm] deep. The body shall be made of 0% water absorbent High Density Polyethylene (HDPE). Shall mechanically lock into the concrete surround a minimum of every 10" [254mm]. Catch basin shall weigh less than 17 lbs./ft. [25.3 kg/m]. Catch basin shall have rebar clips standard to secure basin in its final location. Shall be provided with standard SBG grates that lock down with lockdown bars to the basin. Zurn 6" [152mm] wide reveal Stainless Steel cast Bar Grate conforming to ASTM specification A351, Grade CF8 (type 304), cast grate is rated class E per the DIN EN1433 top load classification. Supplied in 20" [508mm] nominal lengths with 5/16" [8mm] wide slots, and 3/4" [19mm] bearing depth. Grate has an open area of 28.76 in²/ft. [60,860 mm²/m]. The .105" [2.66mm] thick Heavy-Duty Stainless Steel Frame Assembly conforms to ASTM specification A-240 (type 304) with 4 - 4" [102mm] long concrete anchors per basin. Frame supplied with powder coated finish. All welds must be performed by a certified welder per ASTM standard AWS D1.1. Frames produced in the U.S.A.

PREFIX OPTIONS (Check/specify appropriate options)

___ Z 6" X 20" High Density Polyethylene (HDPE) Catch Basin*

SUFFIX OPTIONS (Check/specify appropriate options)

Outlet Adapters Add/Each

- ___ -E3/U3 3 [76] No-Hub End Outlet ___ -IA Inlet Adapter (Z886)
- ___ -E4/U4 4 [102] No Hub End Outlet ___ -IA Inlet Adapter (Z882)
- ___ -E6/U6 6 [152] No-Hub End Outlet

Miscellaneous Options

- ___ -VP Vandal-Proof Lockdown
- ___ -Y Sediment Bucket
- ___ -BL High Density Polyethylene (HDPE) System with 3% Carbon Black Additive

USA Miscellaneous Options

- ___ -DB Bottom Dome Strainer

* Regularly furnished unless otherwise specified.

Frame and Grate Options on Page 2

⚠ WARNING: Cancer and Reproductive Harm - www.P65Warnings.ca.gov
⚠ ADVERTENCIA: Cáncer y daño reproductivo - www.P65Warnings.ca.gov
⚠ AVERTISSEMENT: Cancer et effets néfastes sur la reproduction - www.P65Warnings.ca.gov



Z887-6-HDS

6-7/16 [164] WIDE REVEAL X 20-3/4 [527] LONG CATCH
BASIN WITH STAINLESS STEEL HEAVY DUTY FRAME

Design and Dimensional Data (inches and [mm]) are Subject to Manufacturing Tolerances and Change Without Notice

Grate Options (Load Classifications are per DIN EN1433)

- ___ -BDC Black Acid Resistant Epoxy Coated Ductile Grate - Class C
- ___ -BDE Black Acid Resistant Epoxy Coated Ductile Grate - Class E
- ___ -BG Galvanized Ductile Iron Bar Grate - Class C
- ___ -DBG Ductile Iron Cast Bar Grate - Class C
- ___ -DC Ductile Iron Solid Cover - Class C
- ___ -DGC Ductile Iron Slotted Grate - Class C
- ___ -DGE Ductile Iron Slotted Grate - Class E
- ___ -HPDE Heel-Proof Slotted Grate, Ductile Iron - Class E
- ___ -RFSC Reinforced Slotted Stainless Steel Grate - Class C
- ___ -RPSC Reinforced Perforated Stainless Steel Grate - Class C
- ___ -RPSRC Reinforced Perforated Stainless Steel Reverse Punch Grate - Class C

MADE in the U.S.A. (Load Classifications are per DIN EN 1433)

- ___ -BDE-USA Black Acid Resistant Epoxy Coated Ductile Grate - Class E
- ___ -DCE-USA Solid Cover, Dura-Coated Ductile Iron - Class E
- ___ -DGC-USA Ductile Iron Slotted Grate - Class C
- ___ -DGE-USA Ductile Iron Slotted Grate - Class E
- ___ -PPC Plastic Perforated Grate - Class C

Decorative Grate Options (Load Classifications are per DIN EN1433)

- ___ -SBG Stainless Bar Grate - Class E*

* Regularly furnished unless otherwise specified.

WARNING: Cancer and Reproductive Harm - www.P65Warnings.ca.gov

ADVERTENCIA: Cáncer y daño reproductivo - www.P65Warnings.ca.gov

AVERTISSEMENT: Cancer et effets néfastes sur la reproduction - www.P65Warnings.ca.gov