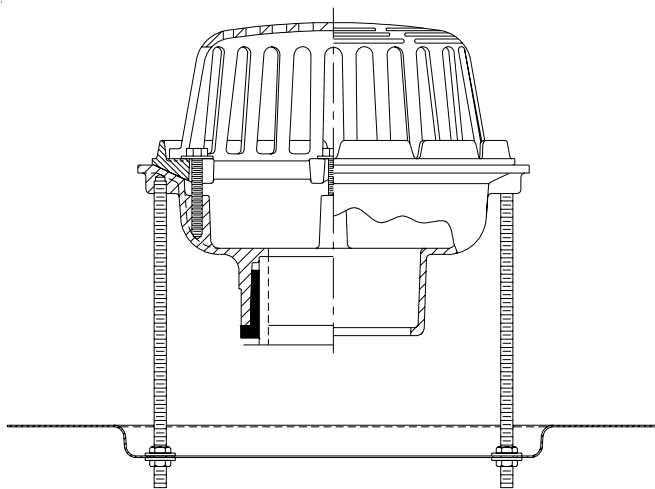
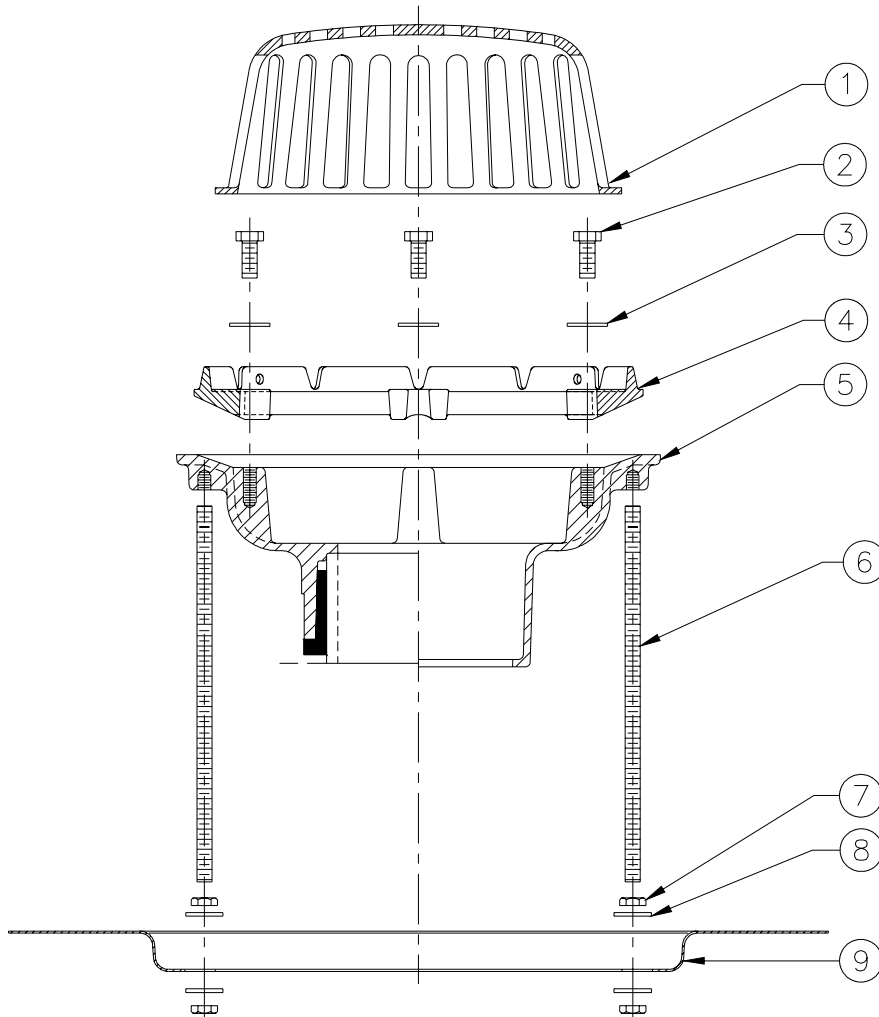




Z121-EB

12 DIAMETER ROOF DRAIN W/ TOP-SET® ELEVATING BODY PLATE EXPLODED PARTS LIST

Dimensional Data (inches and [mm]) are Subject to Manufacturing Tolerances and Change Without Notice



Z121-EB PARTS LIST

Item	Name	Part #	Quan.
1	Dome	56587	1
2	3/8 x 1 3/4 Hex Bolt	26050	4
3	3/8 Nom. Washer	14858	4
4	Clamp Collar	56588	1
5	Body	24362	1
6	3/8 x 10" Threaded Stud	14861	4
7	3/8 Hex Nut	14850	8
8	3/8 Nom. Washer	14858	8
9	Top-Set® Deck Plate	65991	1

Form # RD64

Date: 2/24/05

C.N. No. 93013

Rev.

ZURN INDUSTRIES, INC. ♦ SPECIFICATION DRAINAGE OPERATION ♦ 1801 Pittsburgh Ave. ♦ Erie, PA 16514

Phone: 814/455-0921 ♦ Fax: 814/454-7929 ♦ World Wide Web: www.zurn.com

In Canada: ZURN INDUSTRIES LIMITED ♦ 3544 Nashua Drive ♦ Mississauga, Ontario L4V1L2 ♦ Phone: 905/405-8272 Fax: 905/405-1292