

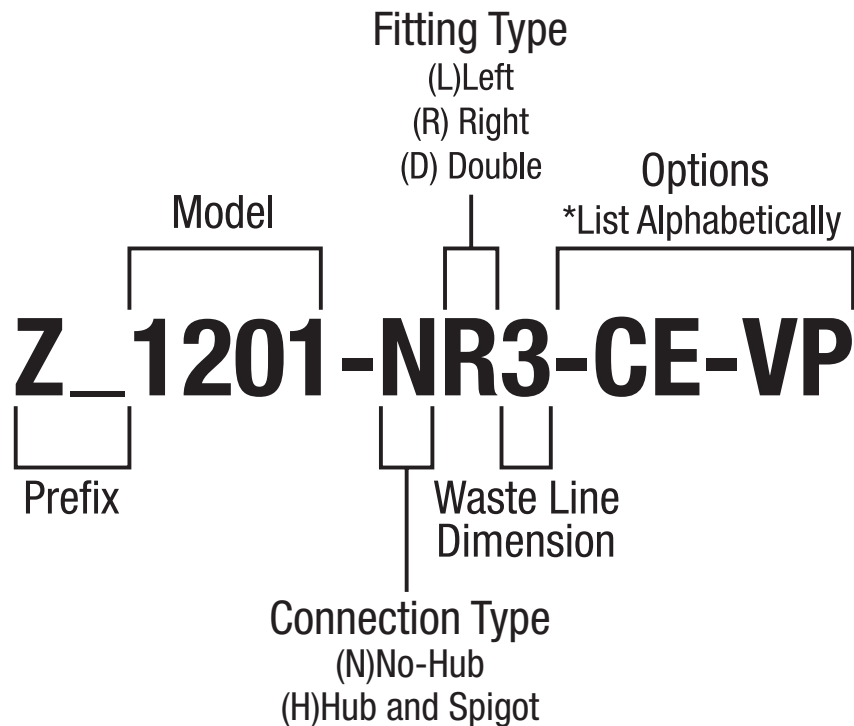
## APPLICATION INDEX

APPLICATION	TYPE	RECOMMENDED CARRIER
Commercial (Cement Slab) Construction Off-the-Floor Closet	300-Lb. Rigid System	Z1201, Z1202, Z1203, ZE1203, ZN1203, Z1204, ZN1204, Z1207, Z1208, Z1209, ZN1209
	500-Lb. Rigid System	Z1201, Z1202, Z1203-X, Z1204-X
	750-Lb. Extra-Heavy-Duty	Z1203-XH, Z1204-XH
	1000-Lb. Bariatric	Z1203-XB, Z1204-XB
Wood Stud and Residential Off-the-Floor Closet		Z1212, Z1280, Z1282, Z1283, Z1284, Z1285
Penal Fixtures and Floor Mounted Back Outlet Fixtures		Z1213, Z1214, Z1215, Z1216
Off-the-Floor Lavatories	Plate Type	Z1224, Z1224-EZ, Z1259 (No Uprights)
	Concealed Arm	Z1231, Z1231-EZ, Z1231-EZR, Z1251, Z1253, Z1254 (No Uprights)
	Exposed Arm	Z1236, Z1236-EZ, Z1255, Z1256, Z1257, Z1258 (No Uprights)
Wash Sinks, Mop Sinks Heavy Cast Sinks, Service Sinks		Z1217, Z1218, Z1229, Z1229-EZ
Off-the-Floor Urinals		Z1221, Z1221-EZ, Z1222, Z1222-EZ, Z1223, Z1223-EZ
Drinking Fountains, Water Coolers		Z1225, Z1255-EZ
Eastern Style Water Closet		Z1290
System Accessories		Z1200

## PRODUCT COMPLIANCE

Zurn systems comply with ANSI A112.6.1M and are listed with IAPMO.  
For verification of a selected carrier, contact your local Zurn Sales Representative.

## SPECIFY A WATER CLOSET SYSTEM



## Z1201 and Z1202 EZCarry™ High Performance Water Closet Carrier System

### OPTIONS and VARIATIONS

All Zurn systems optional variations are specified as a prefix and or suffix letter or number added to the series designation.

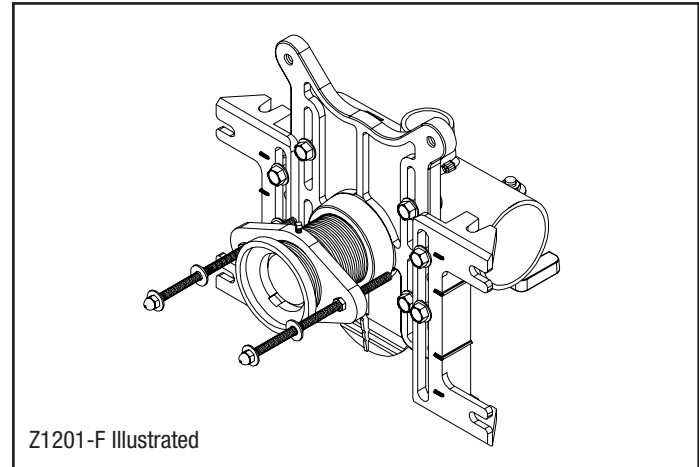
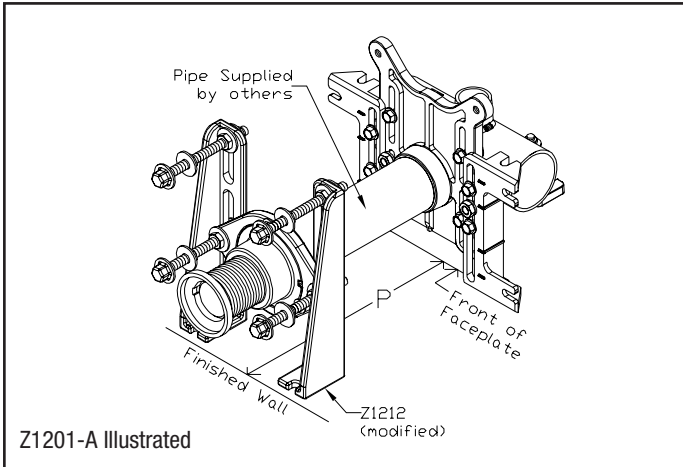
#### PREFIXES

- Z** D.C.C.I System with Zurn "ZZ" Adjustable Coupling
- ZQ** D.C.C.I System with NPT Faceplate, Non-Adjustable Coupling

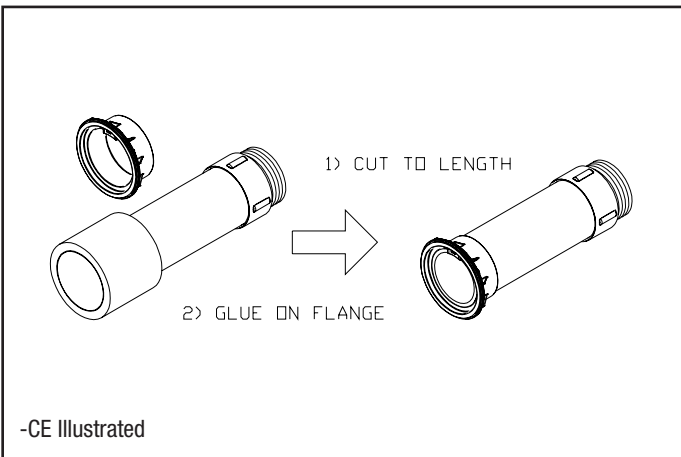
#### SUFFIXES

- A** Auxiliary Support Assembly (For "P" Dim. Greater than 18" [457mm])

- CL** Custom Length Standard Polymer Coupling with Integral Test Cap (Specify length 4" [102mm], 8" [203 mm], 10" [254 mm], 12" [305 mm]) NPSM Thread type only
- CS** 2 1/4" [57mm] Polymer Coupling with Integral Test Cap (NPSM Thread type only)
- F** Floor Mounted Back Outlet Closet Connection



- CC** Corrosion Resistant Cast Iron Coupling (2-1/4" [57mm] to 12" [305mm] NPSM thread type only)
- CE** EZ-Set Coupling (Patent Pending) with Intergal Test Cap (Available 6" [152mm], 12" [305 mm] or longer when specified. Min. length 5" [127 mm])



(For Dimensional Data See Z1212)

## Z1201 and Z1202 EZCarry™ High Performance Water Closet Carrier System

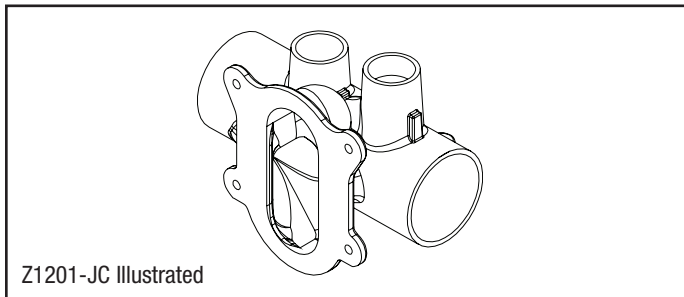
### OPTIONS and VARIATIONS

All Zurn systems optional variations are specified as a prefix and or suffix letter or number added to the series designation.

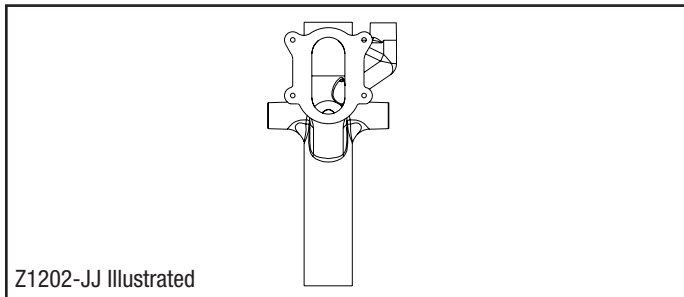
#### PREFIXES

- Z** D.C.C.I System with Zurn "ZZ" Adjustable Coupling
- ZQ** D.C.C.I System with NPT Faceplate, Non-Adjustable Coupling

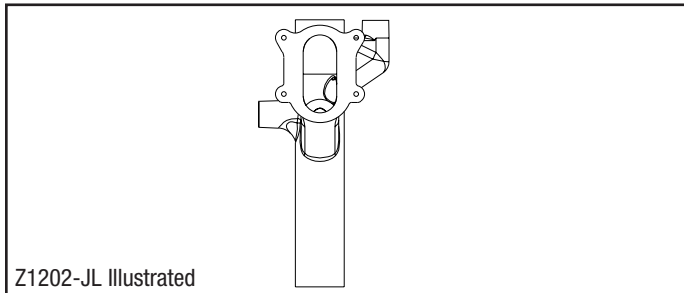
- G** Galvanized Cast Iron
- JC** 2" [51mm] Auxiliary Inlet with 1/8" Bend for Back to Back Installations with Closet and Urinal or Closet and Lavatory (Z1201-NL4, Z1201-NR4)



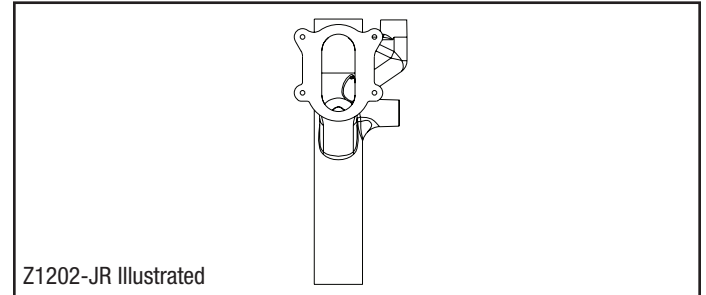
- JJ** Two 2" [51mm] Auxiliary Inlets (Z1202-N4, Z1202-ND4, Z1202-H4, and Z1202-HD4)



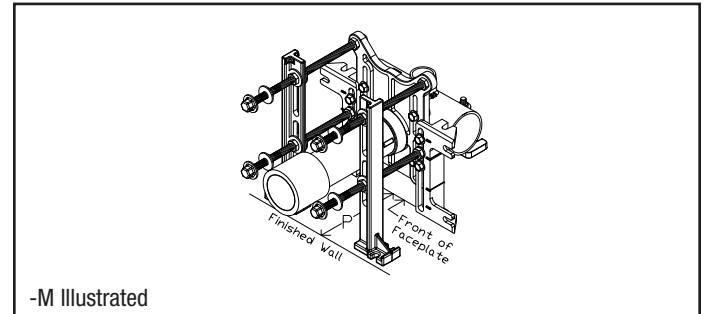
- JL** 2" [51mm] Left-Hand Auxiliary Inlet (Z1202-N4, Z1202-ND4, Z1202-H4, Z1202-HD4, and Z1202-1HR4)



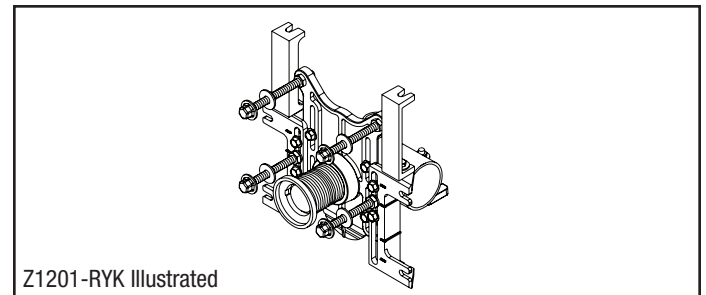
- JR** 2" [51mm] Right-Hand Auxiliary Inlet (Z1202-N4, Z1202-ND4, Z1202-H4, Z1202-HD4, and Z1202-1HR4)



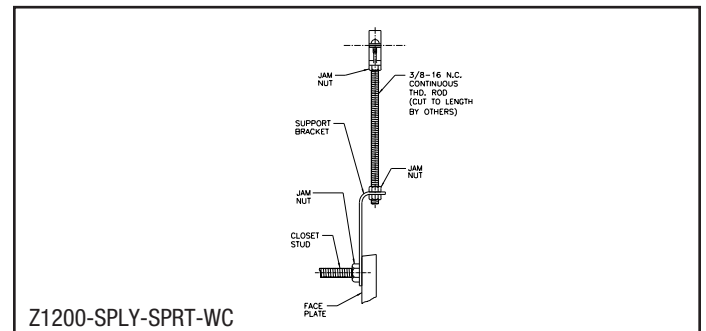
- M** Auxiliary Foot Support for 'P' Dim. 10" [254 mm] thru 18" [457 mm]



- RYK** Unistrut Pre-Fab Foot Support



- VP** Vandal-Proof Trim
- 45** Finishing Frame for Siphon Jet System
- 50** Flush Valve Supply Support for Water Closet



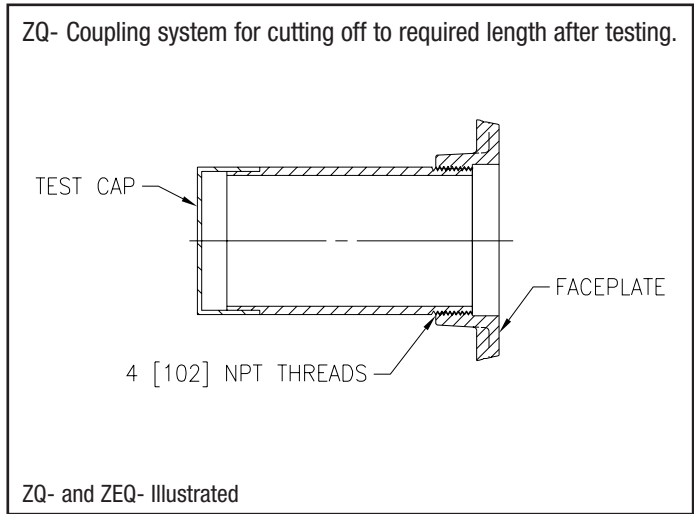
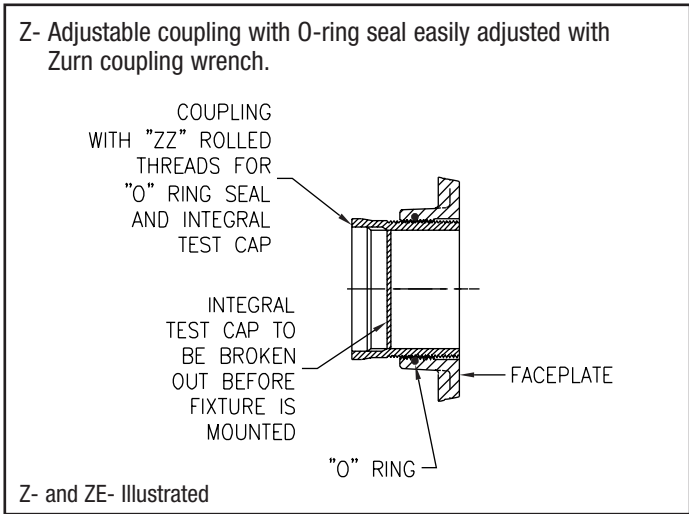
**Water Closet Carriers Z1203, Z1204, Z1207, Z1208, Z1209, Z1212, Z1214, Z1215, Z1216, Z1280, Z1282, Z1283, Z1284 and Z1285**

**OPTIONS and VARIATIONS**

All Zurn systems optional variations are specified as a prefix and or suffix letter or number added to the series designation.

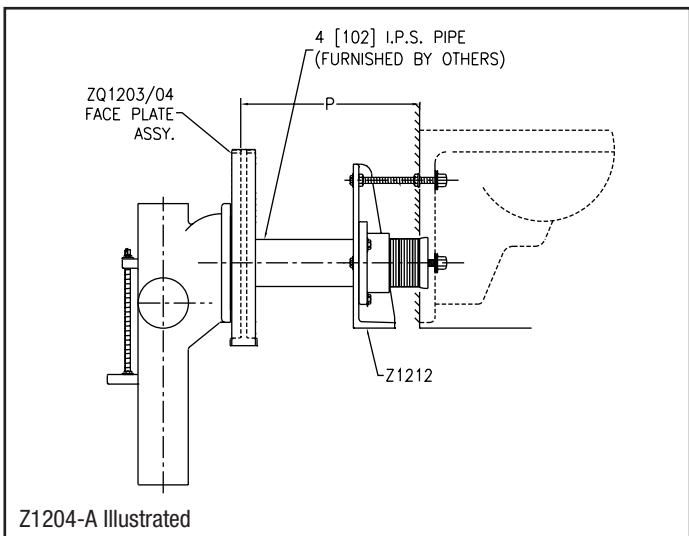
**PREFIXES**

- Z** Dura-Coated Cast Iron System with "ZZ" Coupling (Z1203 thru Z1209 Series)
- ZE** Dura-Coated Cast Iron System with "ZZ" Coupling (ZE1203 Series)
- ZEQ** Dura-Coated Cast Iron System with NPT Faceplate and Non-Adjustable Coupling (ZE1203 Series)
- ZQ** Dura-Coated Cast Iron System with NPT Faceplate and Non-Adjustable Coupling



**SUFFIXES**

- A** Auxiliary Support Assembly (For 'P' Dim. Greater than 18" [457mm])



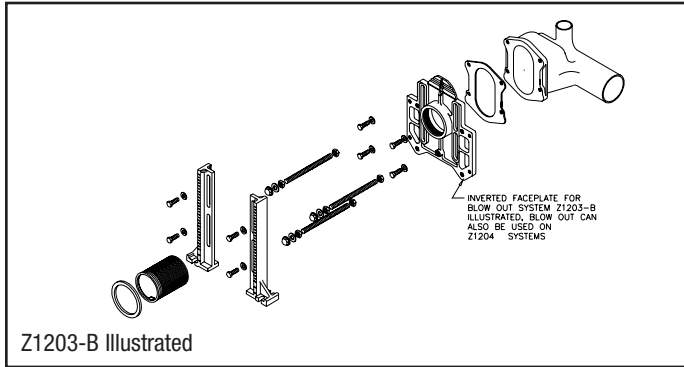
- AV** 2" [51mm] NH Vent Connection (Z1215, Z1216)

## Water Closet Carriers Z1203, Z1204, Z1207, Z1208, Z1209, Z1212, Z1214, Z1215, Z1216, Z1280, Z1282, Z1283, Z1284 and Z1285

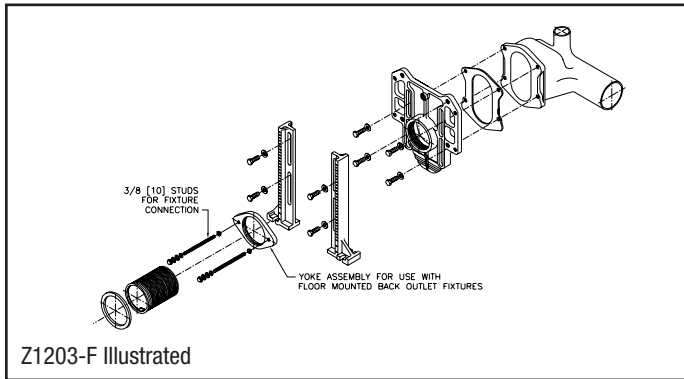
### OPTIONS and VARIATIONS

#### SUFFIXES (Continued)

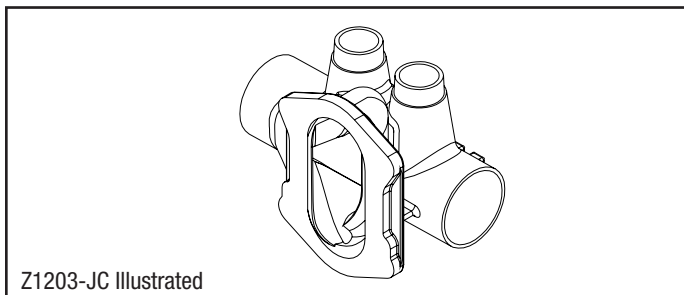
- B Blowout Type Fixture Support (3-Bolt System Chair Carrier)



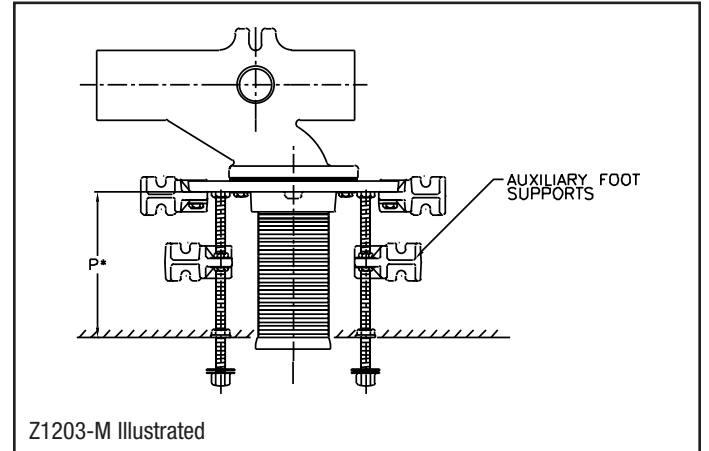
- BC Back Cleanout (Z1203, Z1204, not available on back to back systems)
- BE Barrel Extender (Up to 26" [660mm], Overall length of 40" [1016mm])
- CC Corrosion Resistant Cast Iron Coupling (6" [151mm] to 12" [305mm])
- CL Coupling Length Greater than 12" [305 mm] (Specify Length Required)
- CV Closed vent (Use only where local codes allow)
- F Floor Mounted Back Outlet Closet Connection



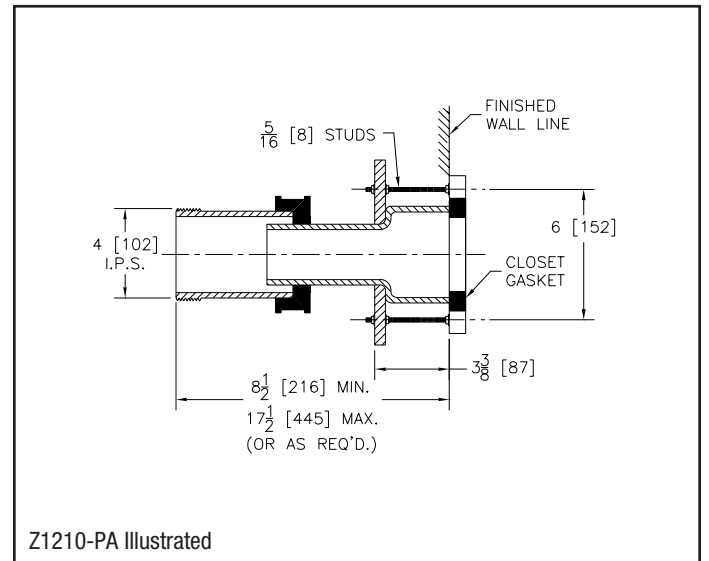
- G Galvanized Cast Iron
- HT Hanger Type Closet Adapter (Z1283, Z1285)
- JC 2" [51mm] Auxiliary Inlet with Sanitary Sweep on Faceplate Centerline



- LA Less Auxiliary Connections (Z1209)
- M Auxiliary Foot Support For 'P' Dim. 10" [254mm] - 18" [457 mm]



- PA Adjustable Coupling Connection for Penal Fixtures (Z1214 and Z1215)

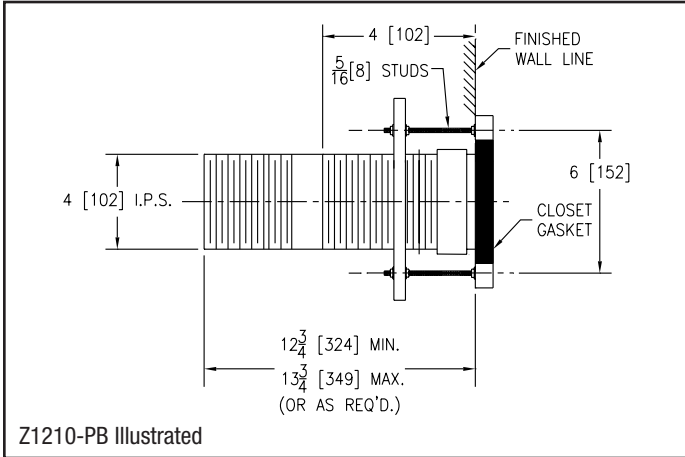


**Water Closet Carriers Z1203, Z1204, Z1207, Z1208, Z1209, Z1212, Z1214, Z1215, Z1216, Z1280, Z1282, Z1283, Z1284 and Z1285**

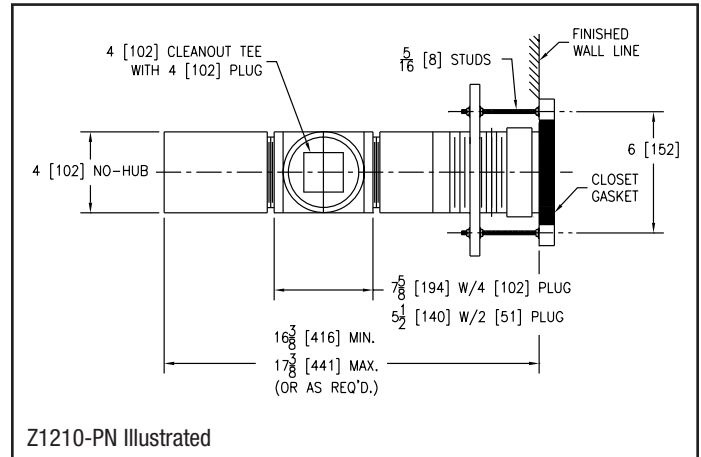
**OPTIONS and VARIATIONS**

**SUFFIXES (Continued)**

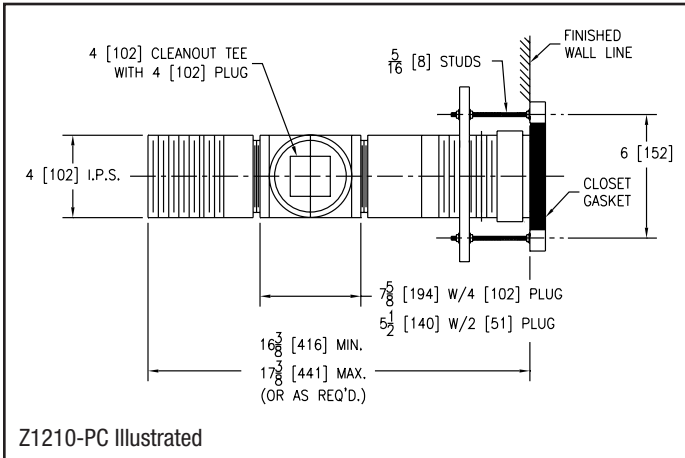
**-PB** Coupling Connection for Penal Fixtures (Z1214 and Z1215)



**-PN** NH Coupling Connection with 4" [102mm] Cleanout For Penal Fixtures (Z1214 and Z1215)



**-PC** Coupling Connection with 4" [102mm] Cleanout for Penal Fixtures (Z1214 and Z1215)



**-PP** Anti-Clogging Pin in Plug (Z1214, Z1215 and Z1216)

**-PS** Pre-Fab Slotted Foot

**-RYK** Unistrut Pre-Fab Foot

**-T** Threaded Connection

**-VP** Vandal Proof Trim

**-X** 500lb. Carrier with Heavy-Duty Rear Anchor Tie Down

**-XB** Bariatric 1000lb. Carrier (Z1203, Z1204, Z1207)

**-XH** Extra-Heavy-Duty 750 lb. Carrier

**-X3** 3" [76mm] Carrier Foot Extension Assembly

**-Y** Foot Support System (Z1283, Z1284 and Z1285)

**-PD3** 3" [76mm] Double Plastic Pipe Connection (Z1285)

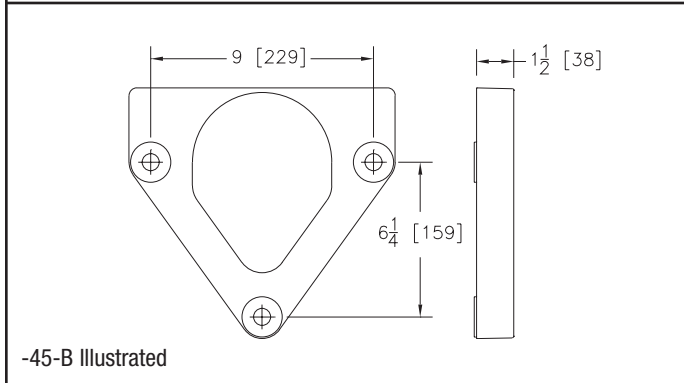
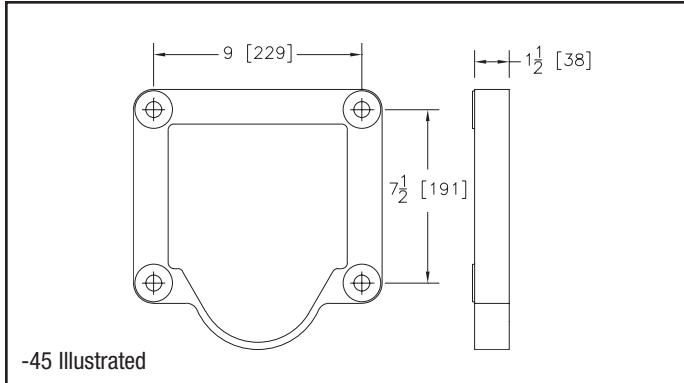
**-PF** Pre-Fab Foot

**Water Closet Carriers Z1203, Z1204, Z1207, Z1208, Z1209, Z1212, Z1214, Z1215, Z1216, Z1280, Z1282, Z1283, Z1284 and Z1285**

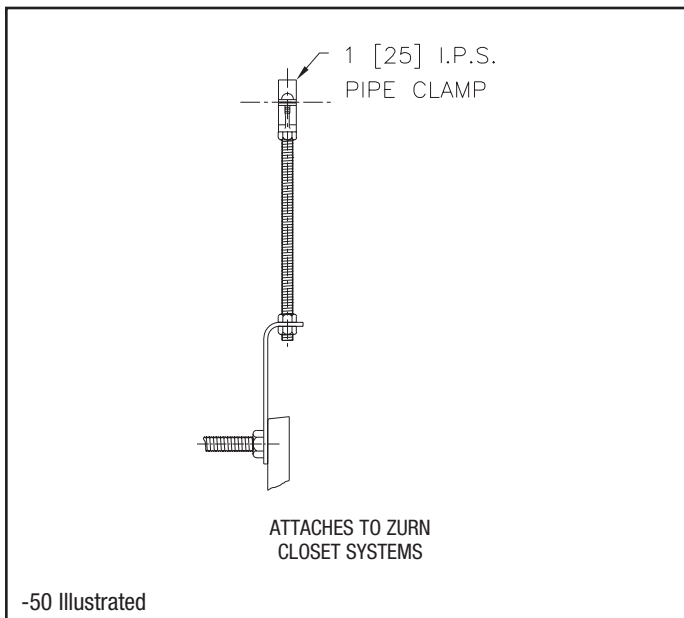
**OPTIONS and VARIATIONS**

**SUFFIXES (Continued)**

**-45 Finishing Frame for Siphon Jet Closet  
(For Blowout System specify -45-B)**



**-50 Flush Valve Supply Support for Water Closets**



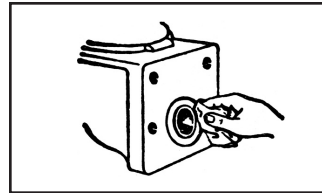
**-57 4" "Neo-Seal" Closet Gasket Kit**

This positive sealing gasket with a special adhesive formula eliminates leakage often encountered with inferior gaskets. The gasket is made from expanded Closed Cell Dupont Neoprene.

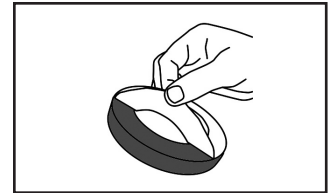
It's a controlled-analysis, specially prepared seal (not a sponge rubber). Retains its resiliency permanently. Resistant to water, petroleum products, chemicals, similar substances, or rotting.

Complete installation instructions are contained in an easily stacked flat cardboard container.

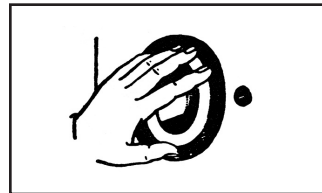
**EASY TO INSTALL**



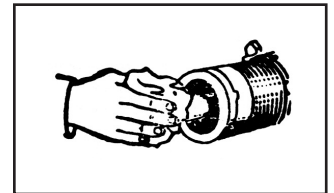
1. Wipe gasket recess of fixture clean with dry cloth. Remove and discard inner foam circle from NEO-SEAL gasket.



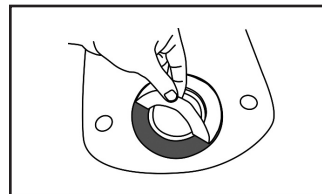
2. Carefully lift and remove adhesive backing off one side of NEO-SEAL gasket.



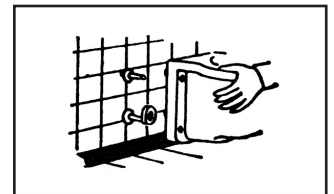
3. Press adhesive-coated side of NEOSEAL gasket firmly into gasket recess in fixture being sure it bottoms out in groove, and that contact between adhesive and china is maintained.



4. Wipe lip of coupling clean and dry.



5. Remove adhesive backing off other side of NEO-SEAL gasket.



6. Place closet in position over adjustable coupling without delay. Coupling should extend beyond finished wall far enough to compress NEO-SEAL gasket (see other side).

**Clean surfaces are important. Take special precaution to make sure all surfaces are clean and dry before using adhesive gasket.**

**-77 Retrofit Cap Nut**

## Wall Urinal/Service Sink, Trough Urinals, Water Cooler Carriers Z1217, Z1218, Z1221, Z1222, Z1223 and Z1225

### OPTIONS and VARIATIONS

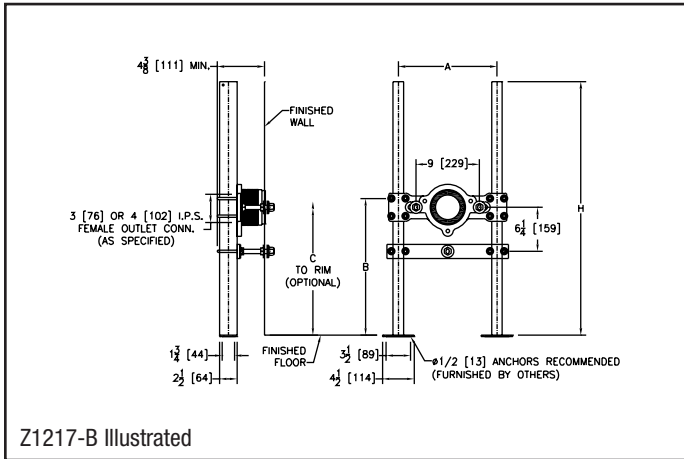
All Zurn systems optional variations are specified as a prefix and or suffix letter or number added to the series designation.

#### PREFIXES

**Z** Dura-Coated Cast Iron System with Plate(s) or Arms

#### SUFFIXES

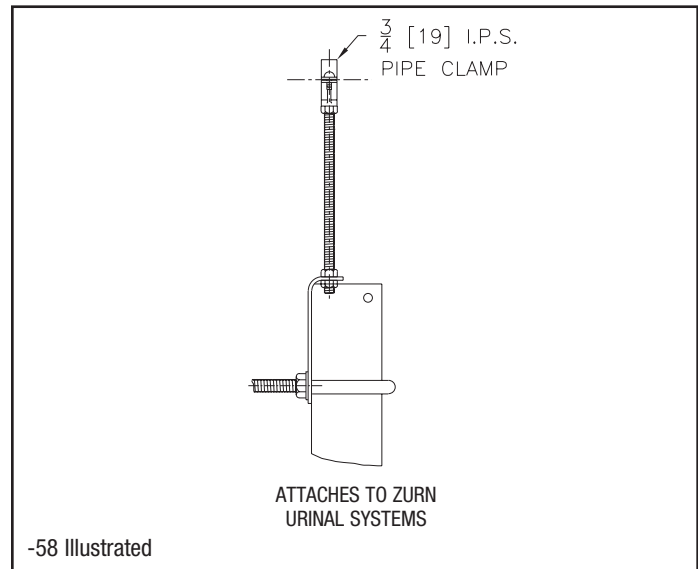
**-B** Blow-out Type Fixture Support (Z1217, Z1218)



Z1217-B Illustrated

- BL** Bi-Level Cooler Support (Z1225)
- BR** Bracket Support (Z1225)
- CB** Carrier Bank
- CC** Corrosion Resistant 6" [152mm] Long Cast Iron Coupling (Z1217)
- CL** Coupling Length Greater Than 6" Per Inch [152mm] Z1217 (Specify Length)
- CU** Floor to Ceiling Upright (Z1221 and Z1222)
- D** Back-to-Back System (Z1221, Z1222, Z1223, and Z1225)
- EZ** Easy-to-Install Assembly (Z1221, Z1222, Z1223 and Z1225)

- F4** Z1208 Fitting with 4" [102mm] Vent (Z1217)
- F32** 3" [76mm] Z1208 Fitting with 2" [51mm] Vent (Z1217)
- SL** Stud Length Over 6" [152mm] (Per Inch) (Specify Length) (Z1221, Z1222, Z1223 and Z1225)
- VP** Vandal-Proof Trim
- UA** Urinal Adapter (Z1222)
- WS** Wall Support Valve Plate (Z1217 and Z1218) (Specify Valve Name and Number)
- 1** Longer Urinal (For Ea. 1' over 5') (Z1223)
- 2** Bearing Plate Assembly (Z1223)
- 58** Flush Valve Supply Support (Z1221 and Z1222)



- 79** Paraplegic Rough-In
- L2** Less Bearing Plate (Z1225)



## Lavatory Carriers Z1224, Z1229, Z1231, and Z1236

### OPTIONS and VARIATIONS

All Zurn systems optional variations are specified as a prefix and or suffix letter or number added to the series designation.

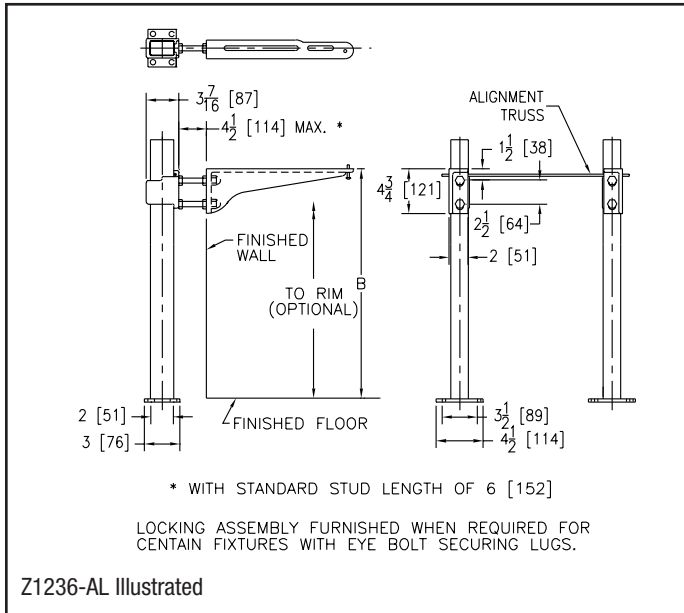
#### PREFIXES

- Z** Dura-Coated System with Universal Plates (Z1224)
- Z** Dura-Coated System with A.R.C. Exposed Arms (Z1229 and Z1236)
- Z** Dura-Coated System with Concealed Arms (Z1231)

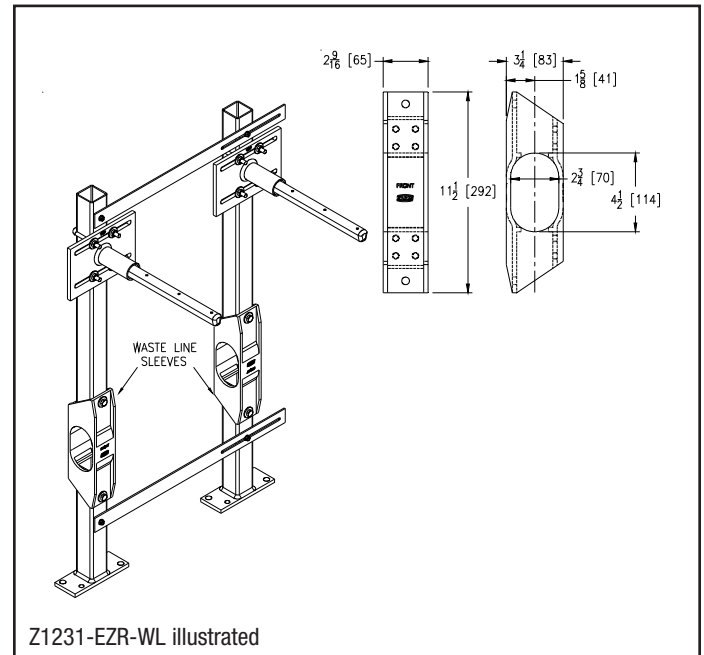
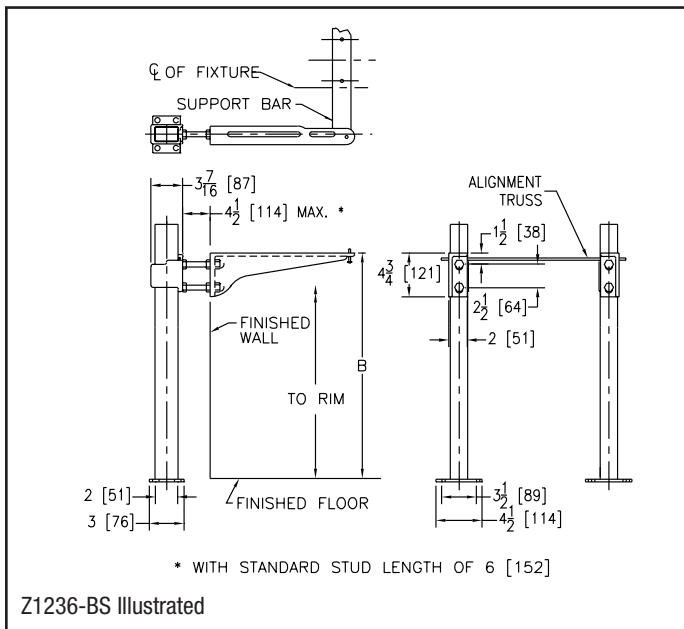
#### SUFFIXES

- AL** Adapter Lug (Z1231 and Z1236)  
Hardware for cast iron lavatories with integral anchor lugs

- CB** Carrier Bank
- CU** Floor to Ceiling Upright (Z1231)
- D** Back-to-Bank System
- E2** Concealed Arm Escutcheons 2" Long (Z1231)
- E4** Concealed Arm Escutcheons 4" Long (Z1231)
- E6** Concealed Arm Escutcheons 6" Long (Z1231)
- EZ** Easy-to-Install Assembly (Z1224, Z1229, and Z1236)
- SL** Sleeve length over 3 1/4" [83mm] or Stud length over 6" [152 mm] Specify length (Z1224, Z1229, and Z1236)
- WL** Waste Line Sleeve (Z1231-EZR)



#### -BS Bar Support Valve Plate (Z1236)



#### -WS Wall Support Valve Plate

- 1** Longer Sink (Z1224, Z1229 and Z1236)
- 2** Bearing Plate Assembly (Z1224)
- 5** Corner Lavatory Support (Z1224)
- 79** Paraplegic Rough-In (Z1231)
- VP** Vandal Proof Trim

**Arm and Plate Systems for Lavatory Carrier Systems Z1251, Z1253, Z1254, Z1255, Z1256, Z1257, Z1258 and Z1259****OPTIONS and VARIATIONS**

---

All Zurn systems optional variations are specified as a prefix and or suffix letter or number added to the series designation.

**PREFIXES**

- Z** Dura-Coated Cast Iron System with Plate(s) or Arms (Z1259)
- Z** Dura-Coated System with A.R.C. Exposed Arms (Z1255, Z1256, Z1257, and Z1258)
- Z** Dura-Coated System with Concealed Arms (Z1251, Z1253, and Z1254)

**SUFFIXES**

- BS** Bar Support Valve Plate (Z1255, Z1256, Z1257 and Z1258)
- E2** Concealed Arm Escutcheons 2" [51mm] Long (Z1251, Z1253, and Z1254)
- E4** Concealed Arm Escutcheons 4" [102mm] Long (Z1251)
- E6** Concealed Arm Escutcheons 6" [152mm] Long (Z1251)
- SL** Stud Length Over 6" [152mm]
- VP** Vandal-Proof Trim (Z1255, Z1256, Z1257 and Z1258)
- W6** 6" [152mm] Wide Support Plate (Z1251)
- 79** Paraplegic Rough-In