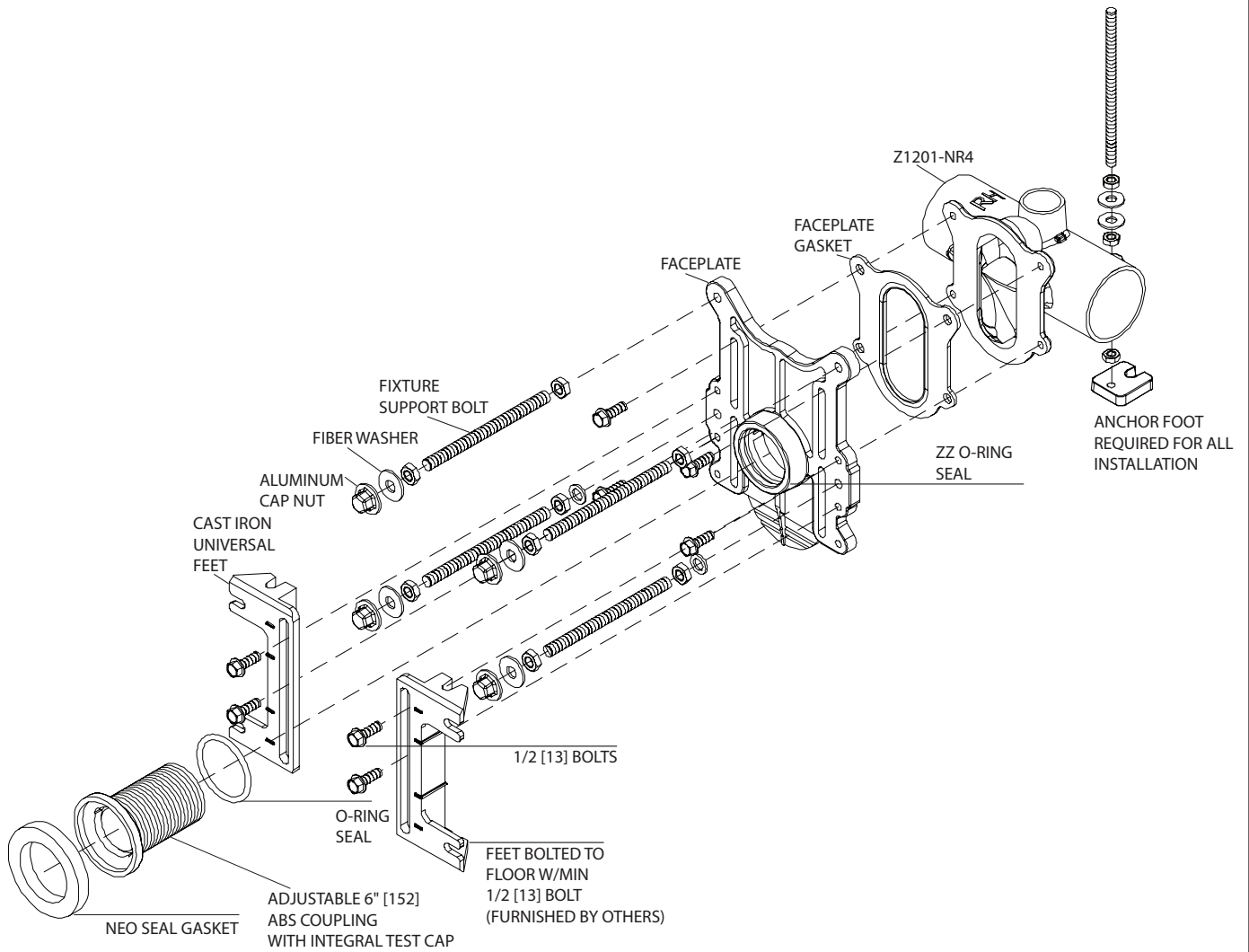


GENERAL PRODUCT ILLUSTRATIONS

**OFF-THE-FLOOR WATER CLOSET SYSTEM
Z1201-NR4**

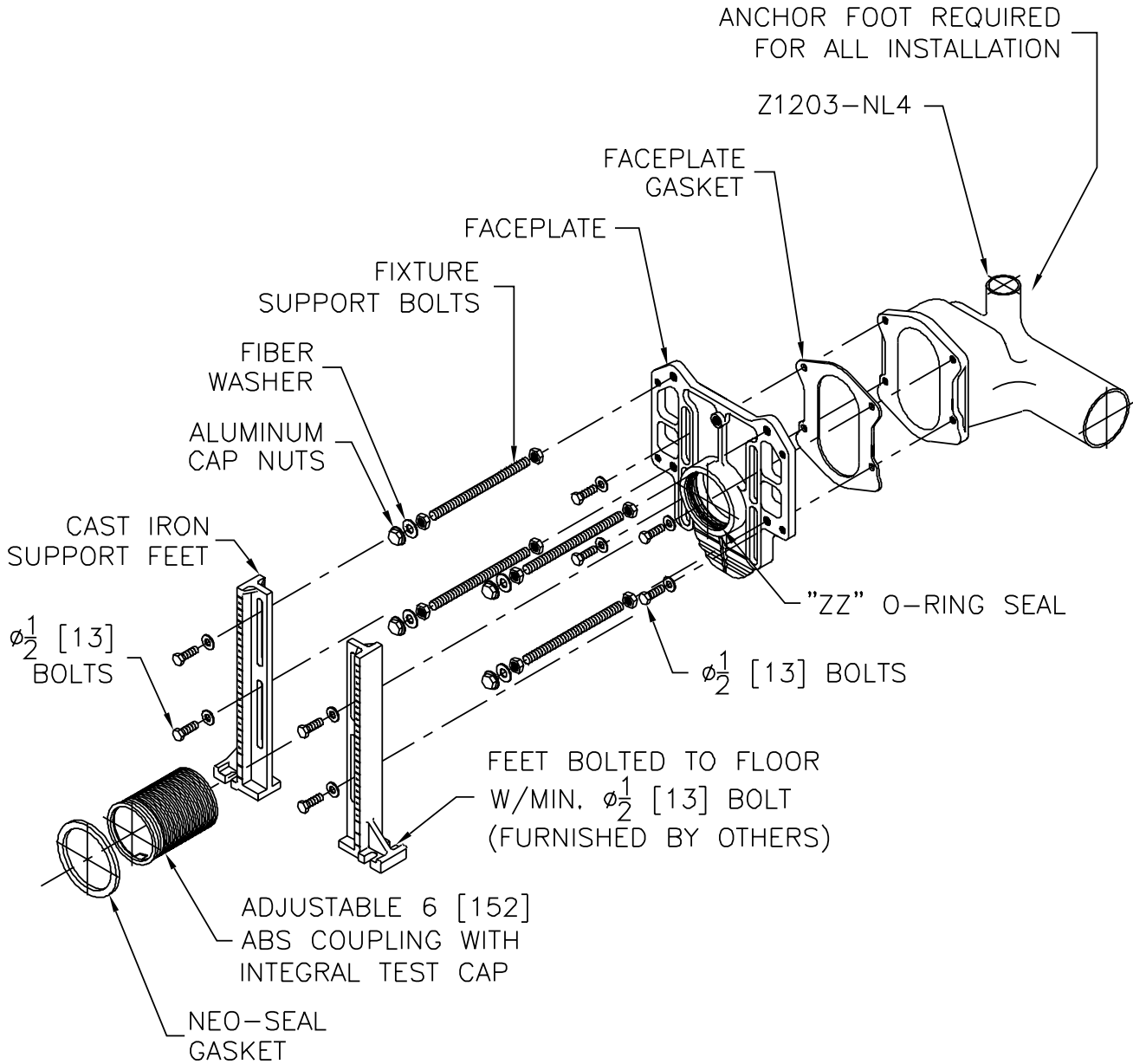


Z1201 Off-The-Floor Water Closet System Offers:

1. All Dura-Coated cast iron construction with 500 lb. load bearing capability to A.N.S.I. standards.
2. Vertical adjustment of 4-1/2" [114mm] - 9" [229mm] for Siphon-Jet closet installation. System accommodates for both paraplegic and standard rough-in requirements.
3. 13 5/8" [356mm] required from finished wall to back of system (Z1201-NL4, NR4).
4. Non-corrosive ABS adjustable coupling with integral test cap and unique 'ZZ' Zurn adjusting thread.

GENERAL PRODUCT ILLUSTRATIONS

**OFF-THE-FLOOR WATER CLOSET SYSTEM
Z1203-NL4**



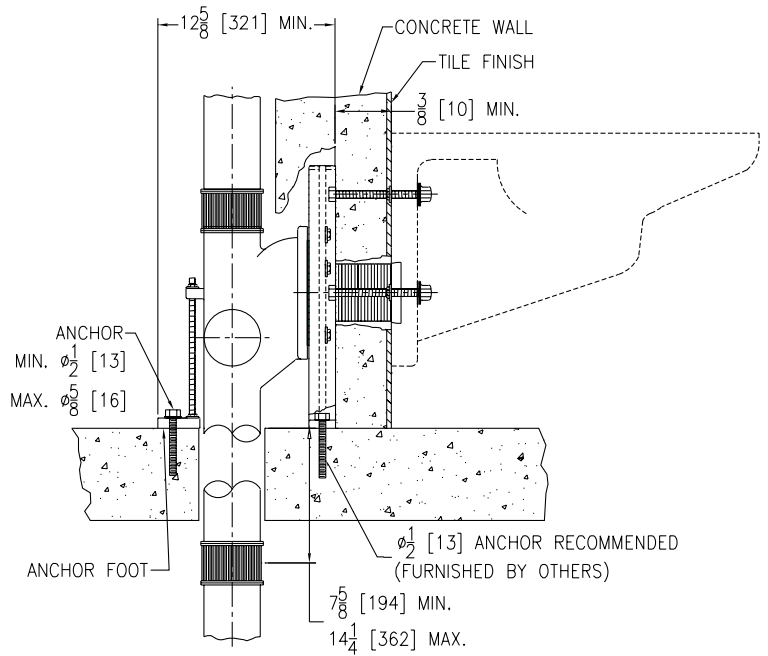
Z1203 Off-the-Floor Water Closet System Offers:

1. All Dura-Coated cast iron construction with 300 lb. load bearing capability to A.N.S.I. standards.
2. Vertical adjustment of 4-1/2" [114mm] to 9" [229mm] for Siphon-Jet closet installation. System accommodates for both paraplegic and standard rough-in requirements.
3. 14" [356mm] required from finished wall to back of system (Z1203 NL4, NR4).
4. Non-corrosive ABS adjustable coupling with integral test cap and unique 'ZZ' Zurn adjusting thread.

GENERAL PRODUCT ILLUSTRATIONS

Z1204-1N

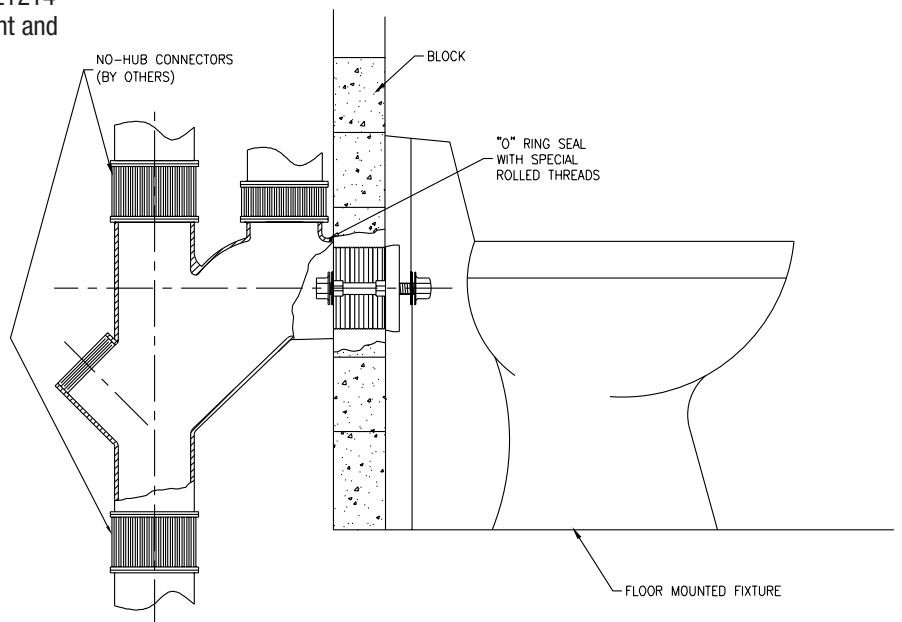
Installed in No-Hub waste systems, the Zurn Rigid System offers minimal deflection at three hundred cantilevered pounds. Through three tie down bolts, the system is rigidly secured and supports the fixture independent of the finished wall.



Floor Anchoring Bolts Furnished by Others

Z1214

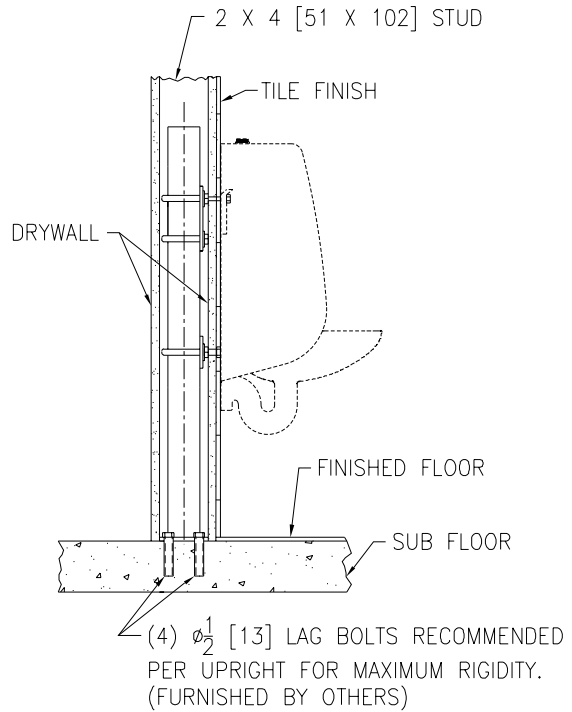
Installed in No-Hub waste systems, for use with floor mounted back outlet water closets. The Z1214 system offers adjustable coupling, optional vent and back auxiliary inlet.



GENERAL PRODUCT ILLUSTRATIONS

Z1222

Installed in 2 x 4 stud wall, offers fixture support independent of wall. The system is lagged to the floor as shown. Standard hardware furnished for wall thickness (front of plate to finished wall) up to 4-3/4" and minimum space requirements for system are 3-3/8".



Z1231-SL

Installed behind a block wall. The fixture is installed over cast iron arms and leveled by use of four leveling screws. Securing the fixture is accomplished by turning down the locking devices. Larger sleeves can be used to accommodate thicker wall materials.

