

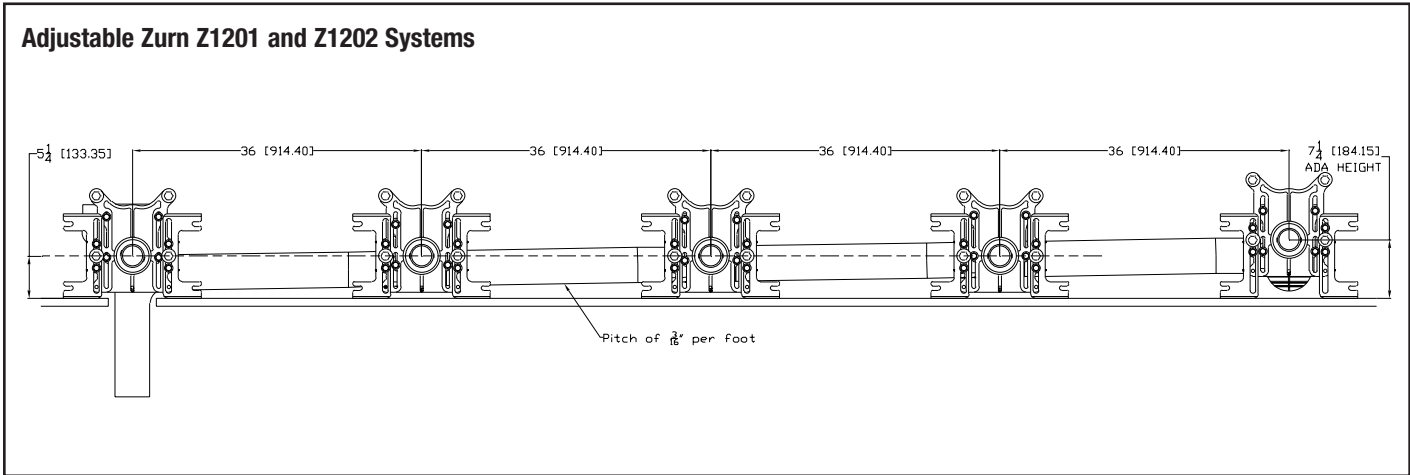
Z1201 AND Z1202 EZCARRY™ HIGH PERFORMANCE WATER CLOSET CARRIER SYSTEM Closet Carrier Illustrations

High Rough-In Requirements for Physically Handicapped Water Closet Bowls

Illustrations shown below are based on meeting ANSI Standard A-112.19.2, Vitreous China Plumbing Fixtures, Para. 5.1.3.3 stating "Physically Handicapped" water closet bowl is a siphon jet water closet bowl measuring 18" from the floor to the top of the rim.

The dimensional drawings shown are based on using 1/8" [3mm] pitch and 5-1/4" [133mm] centerline of closet outlet to finished floor; 15" [381mm] to rim for standard bowl height with 7-1/4" [184mm] and 18" [457mm] respectively for physically handicapped bowl.

Physically handicapped water closet bowls may also be incorporated on the vertical Z1202 System by locating the faceplate in the highest position on the fitting.



For installation of fixtures, up to a ten fixture maximum, either side of stack fitting:

5-1/4" Centerline of Closet Outlet

7-1/4" Centerline of Handicapped Closet Outlet (Will vary depending on fixture and flooring)

1/8" Pitch Per Foot

The handicapped fixture can be installed on any of the last three fixtures at the far right end of a battery.

Maximum Adjustment of Zurn Z1201 and Z1202 Systems

Lowest Fixture Outlet and Drain Line Position

Highest Fixture Outlet and Drain Line Position

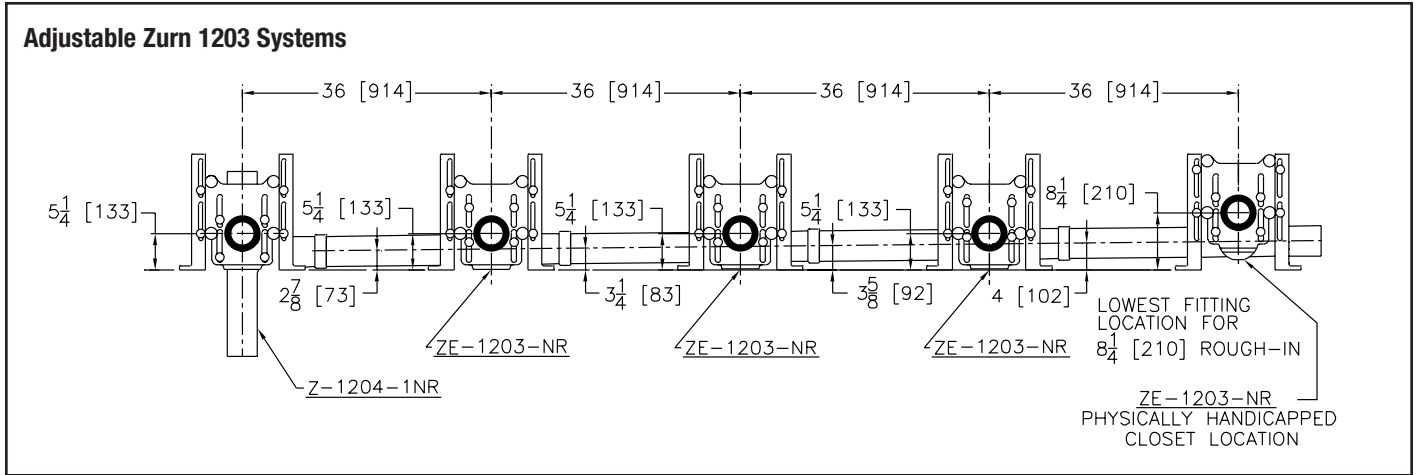
C/L Fixture Outlet Height From Floor	Centerline Drain Line		Position From Floor
	Min.	Max.	
4 1/2	2 5/16		4 1/8
4 3/4	2 5/16		4 3/8
5	2 5/16		4 5/8
5 1/2	2 5/16		5 1/8
6	2 5/16		5 5/8
6 1/2	2 5/16		6 1/8
7	2 5/8		6 5/8
7 1/2	3 1/8		7 1/8
8	3 5/8		7 5/8
8 1/2	4 1/8		8 1/8
9	4 5/8		8 5/8
9 1/2	5 1/8		9 1/8

For any given rough-in height, the fitting can be adjusted up and down (a maximum of 4" [102mm]) to accommodate drainage pitch on long runs. When back-to-back and handicapped rough-ins are used, note that there are further limitations to the number of fittings in a given run.

Z1203 AND Z1204 WATER CLOSET CARRIER SYSTEM Closet Carrier Illustrations

High Rough-In Requirements for Physically Handicapped Water Closet Bowls

Illustrations shown below are based on meeting ANSI Standard A-112.19.2, Vitreous China Plumbing Fixtures, Para. 5.1.3.3 stating "Physically Handicapped" water closet bowl is a siphon jet water closet bowl measuring 18" [457mm] from the floor to the top of the rim. The dimensional drawings shown are based on using 1/8" [3mm] pitch and 5-1/4" [133mm] centerline of closet outlet to finished floor; 15" [381mm] to rim for standard bowl height with 8-1/4" [210mm] and 18" [457mm] respectively for physically handicapped bowl. Physically handicapped water closet bowls may also be incorporated on the vertical Z1204 System by locating the faceplate in the highest position on the fitting.



For installation of fixtures, up to a ten fixture maximum, either side of stack fitting:
 5-1/4" Centerline of Closet Outlet
 8-1/4" Centerline of Handicapped Closet Outlet (Will vary depending on fixture and flooring)
 1/8" Pitch Per Foot
 The handicapped fixture can be installed on any of the last three fixtures at the far right end of a battery.

Maximum Adjustment of Zurn Z1203 and Z1204 Systems

Lowest Fixture Outlet and Drain Line Position

Highest Fixture Outlet and Drain Line Position

C/L Fixture Outlet Height From Floor	Centerline Drain Line Position From Floor	
	Min.	Max.
Dimensions In Inches		
4-1/2	1/4	4-1/4
4-3/4	1/2	4-1/2
5	3/4	4-3/4
5-1/2	1-1/4	5-1/4
6	1-3/4	5-3/4
6-1/2	2-1/4	6-1/4
7	2-3/4	6-3/4
7-1/2	3-1/4	7-1/4
8	3-3/4	7-3/4
8-1/4	4	8
8-1/2	4-1/4	8-1/4
8-3/4	4-1/2	8-1/2
9	4-3/4	8-3/4
9-1/2	5-1/4	9-1/4

For any given rough-in height, the fitting can be adjusted up and down (a maximum of 4" [102mm]) to accommodate drainage pitch on long runs. When back-to-back and handicapped rough-ins are used, note that there are further limitations to the number of fittings in a given run.