

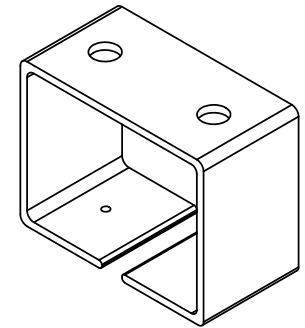
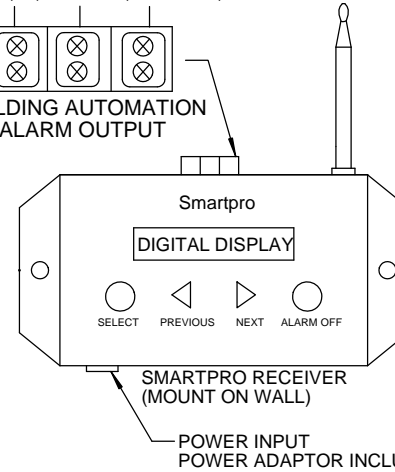
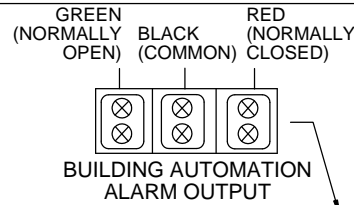
# SMARTPRO PLUS RF MONITOR

## WIRING DETAIL

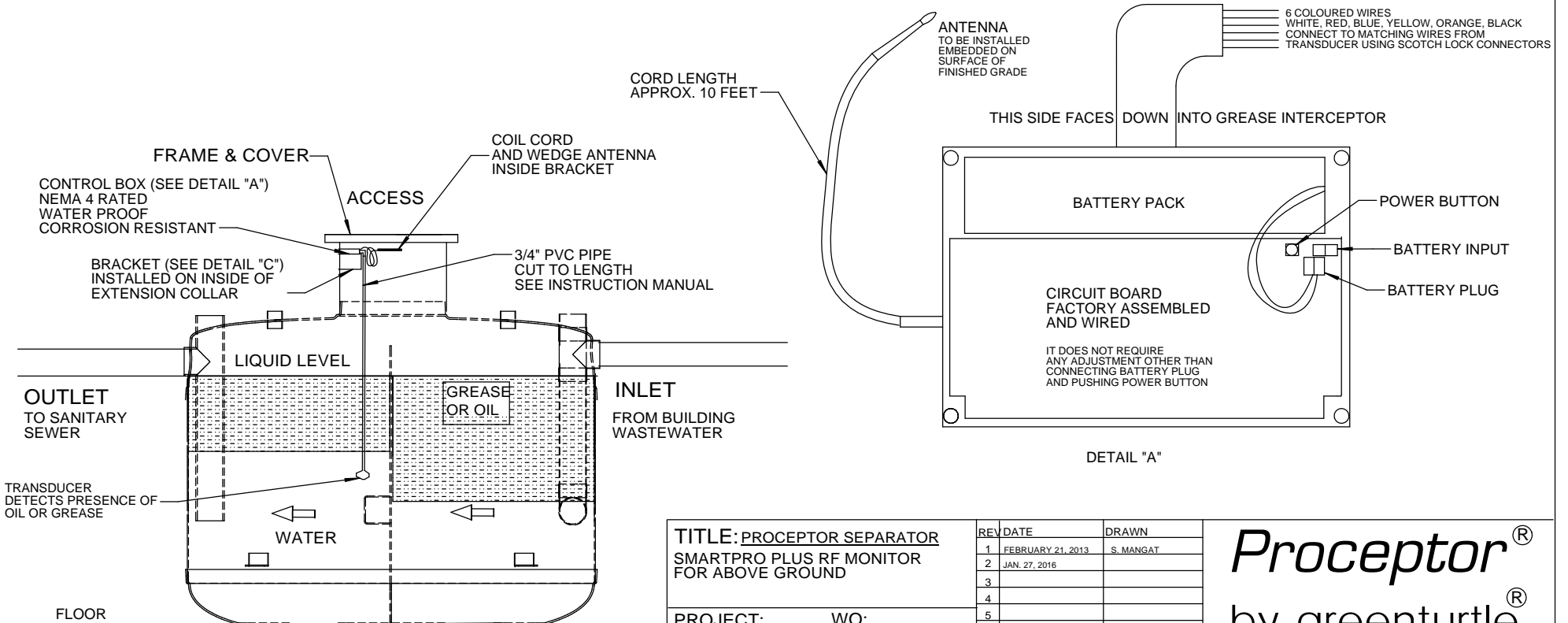
SEE INSTRUCTION MANUAL FOR CALIBRATION PROCEDURE

## OUTLET SIDE CONFIGURATION

## FOR ABOVE GROUND INSTALLATION



PVC BRACKET  
DETAIL "C"



IN PROCEPTOR OMC OR GMC SEPARATOR MULTIPLE TANK SYSTEMS THE ALARM IS USUALLY MOUNTED IN MANWAY OF THE LAST TANK IN SERIES

<b>TITLE: PROCEPTOR SEPARATOR</b>		REV	DATE	DRAWN
SMARTPRO PLUS RF MONITOR FOR ABOVE GROUND		1	FEBRUARY 21, 2013	S. MANGAT
PROJECT: WO:		2	JAN. 27, 2016	
		3		
		4		
		5		
		6		
		7		
		8		
		9		
		10		
DRAWN BY: S. MANGAT		SIZE DWG. NO. SMARTPRO PLUS RF MONITOR ABOVE GROUND		
DRAWN DATE JULY 09, 2012		SCALE: NTS		DO NOT SCALE DRAWING

**Proceptor**<sup>®</sup>  
by greenturtle<sup>®</sup>  
US 877 428 8187 CAN 877 966 9444  
[www.greenturtletech.com](http://www.greenturtletech.com)

REV.	2
AUTOATTR1	