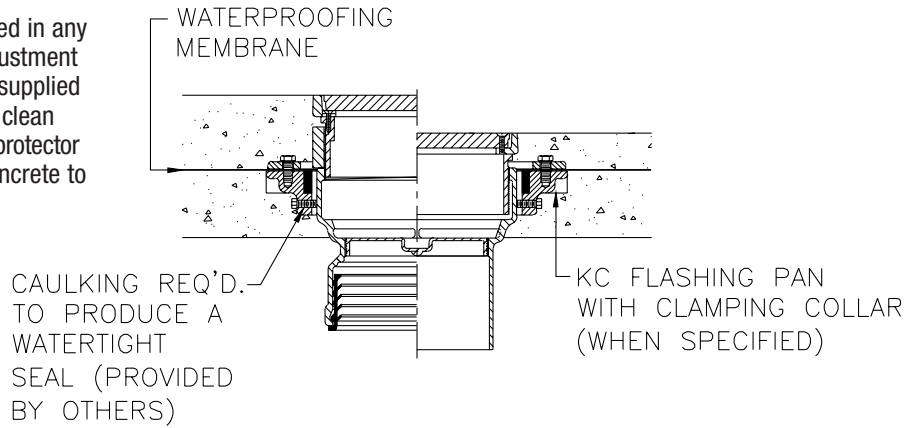


TYPICAL INSTALLATIONS

Z1400-KC

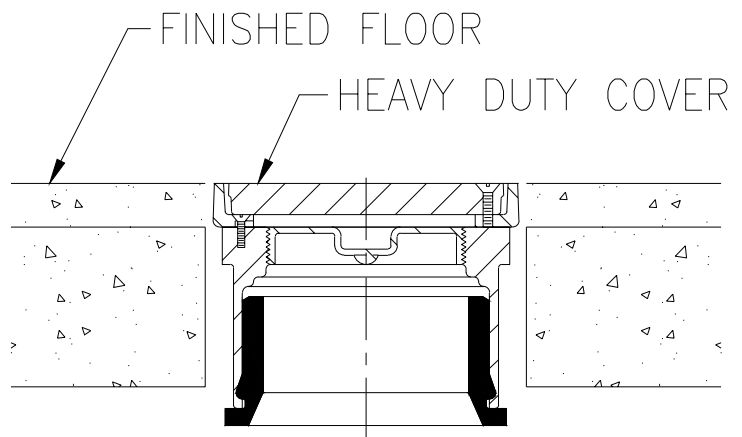
Heavy-duty cast iron cleanout is easily installed in any type floor. The cleanout head allows 2" of adjustment to meet finished floor conditions. Cleanout is supplied with a foam thread protector to keep threads clean prior to and during final concrete pour. Thread protector must then be removed and void filled with concrete to ensure working load rating.



Z1402

- Neo-Loc Push on Cleanout
- Non-Adjustable
- Uses same Top and Options as Z1400 Series

Heavy-duty push-on cleanout is used in applications where an adjustable top is not required. Cleanout is supplied with tapered threaded plug and scoriated cover.



Z1406

Spigot Cleanout

Heavy-duty adjustable cleanout for spigot applications. Cleanout head is furnished with 3 setscrews for adjusting the head up to 1-1/8" vertically. When installing, concrete should not be allowed between the head and the body.

