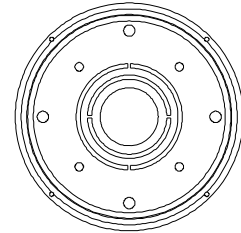


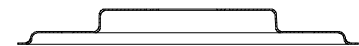
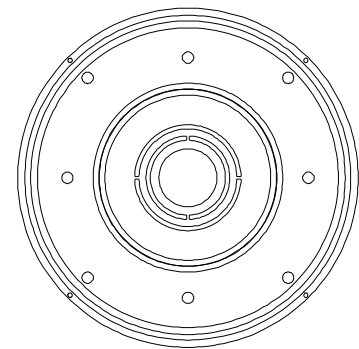
The Zurn Drain Installation Stabilizer is a unique support plate designed to secure a drain in place and provide adjustment, rigidity, and strength during the drain installation process.

The main objectives for the Drain Installation Stabilizer are as follows:

- (a) To provide a means of pre-assembling the drain to a known rough-in height. If the floor thickness is already known, the drain and Installation Stabilizer can be conveniently pre-assembled away from the job site, and quickly placed and leveled in the correct location at the job site, saving labor costs.
- (b) To locate and secure the drain in place and keep it in position prior to concrete pour. The Installation Stabilizer will help resist the drain from tipping, tilting, or being knocked over during construction and concrete pour.
- (c) To allow height and level adjustments of the drain to meet the finished floor.
- (d) To support any reasonable excess weight that may be placed on the drain before the concrete is poured.
- (e) To create an open pocket on the underside of the plate, allowing for attachment of the waste line piping after a concrete pour.
- (f) To use one part for multiple pipe sizes by way of removable knockout(s).



Z1035 (For 8-3/8 dia. drain body)



Z1036 (For 12 & 15 dia. drain body)

How to Use The Drain Installation Stabilizer

The installation stabilizer is constructed of galvanized steel plate and is designed to be used with 8-3/8" dia., 12" dia., 15" dia. drain bodies, Z1900, Z1901, & Z1902 Sani-Flor Receptors, Z1400-K cleanouts (2", 3", and 4" No-hub and Neo-Loc outlets).

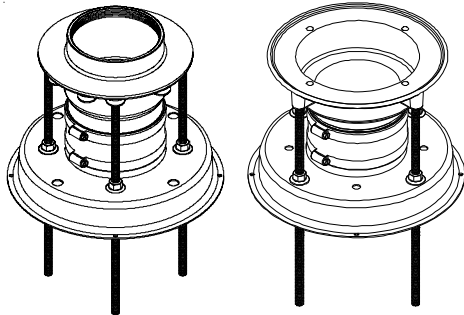
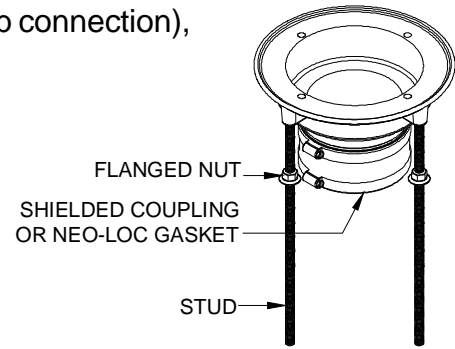
Four lengths of all-thread rod are attached to the body by inserting and tightening into the tapped holes located on the underside of the body. The stabilizer plate is then connected to the all-thread rod by use of flanged nuts, above and below the plate. Adjusting the placement of the nuts changes the rough-in height of the drain. Once the proper height is obtained, the nuts are tightened against the plate. Any excess rod is trimmed off and a stub of pipe is then connected to the body and allowed to extend through the center hole of the plate. The assembly is then nailed down to the concrete form.

When concrete is poured around the drain, the plate creates a pocket on the underside of the slab. When the concrete is set and the forms are stripped away, the visible result is a stub of pipe protruding through the underside of the slab. The remaining drain line can then be connected to this stub of pipe.



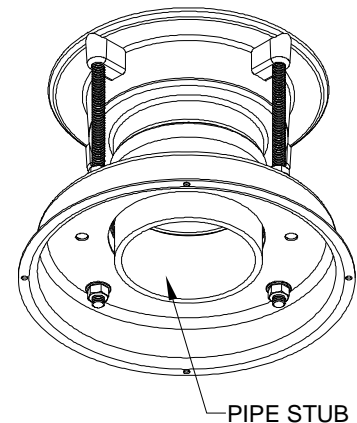
Z1035 and Z1036 ASSEMBLY INSTRUCTIONS

- Step1** Connect a shielded coupling to the drain body (No-Hub connection), or insert gasket into drain body (Neo-Loc connection).
- Step2** Remove the threaded studs from hardware bag (P.N. 66955-312-9) and screw into the tapped bosses on the underside of the drain body until tight.
- Step3** Screw one flanged nut onto each stud with the flange facing downward.

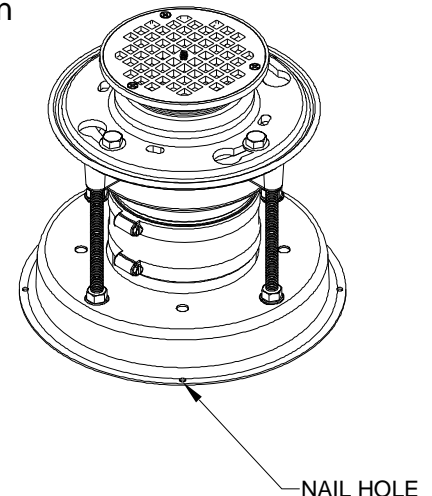


- Step4** Determine pipe size and remove appropriate knockout if necessary.
- Step5** Insert the studs through the four holes of the plate with the plate cavity facing downward. Set the drain body at the required rough-in height and screw the flanged nuts down until they are flush against the top of plate.
- Step6** Screw a second flanged nut onto each stud with the flange facing upward. Tighten both nuts on each stud until the plate is secured to the studs.

- Step6** Trim the studs down so that they are flush with the bottom of the plate. Set the assembly onto a level surface and check to ensure that the drain body is level with the plate. The flanged nuts can be loosened and tightened to allow for any necessary adjustments. Once leveled, trim any studs that extend beyond the cavity of the plate.
- Step7** Insert a stub of drainage pipe into the shielded coupling (No-Hub connection) or gasket (Neo-Loc connection) and secure. It is important that there be at least 1/4" of pipe protruding through the cavity of the plate, in order to make a connection to the remaining drainage line.

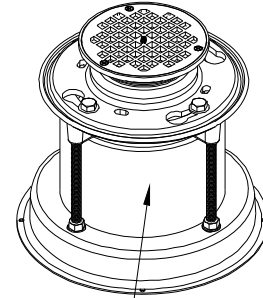


- Step8** Once the assembly is complete and set at the proper rough-in height, place the assembly in the proper location prior to concrete pour. The assembly can be nailed down to the concrete forms by using the nail holes provided on the rim of the plate.
- Step9** Concrete pour.
- Step10** After the concrete is set and the forms are stripped away, the result will be a voided area on the underside of the floor with a stub of pipe protruding through it. Trim off any nails that are extending beyond the concrete floor. The remaining drainage line can now be connected to the drain assembly.





Note: Some localities' building codes- do not allow a shielded coupling or rubber gasket to be buried in concrete. For applications such as this, a section of 6" PVC pipe can be used to act as a barrier to keep concrete from coming in contact with the rubber materials.



6" PVC SLEEVE

Each drain installation stabilizer is provided with a hardware bag (P.N. 66955-312-9) that consists of the following product:

PART	PART NUMBER	QTY.
3/8-16 Flanged Locknut	56795-002	8
3/8-16 X 12 Stud	14861-046	4

The Zurn floor drain installation stabilizer is designed to be used with the following Zurn floor drains:

8-3/8 DIA. FLOOR DRAIN

Model #	ROUGH IN HEIGHT (NO-HUB) MIN.	ROUGH IN HEIGHT (NO-HUB) MAX.	ROUGH IN HEIGHT (NEO-LOC) MIN.	ROUGH IN HEIGHT (NEO-LOC) MAX.
Z315, Z556	6-1/2 [165]	13-1/2 [343]	5-5/8 [143]	13-1/2 [343]
Z415 TYPE B, BL, C, D, E, G, H, I, J, K, M, N, O, S, SC, SH, SL, T				
ZS415 TYPE B & S				

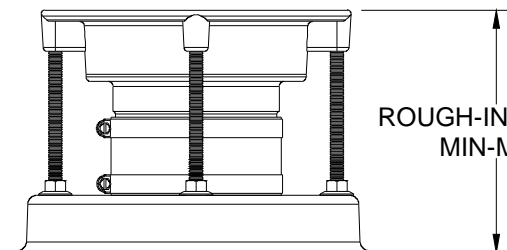
12 DIA. FLOOR DRAIN

Model #	ROUGH IN HEIGHT (NO-HUB) MIN.	ROUGH IN HEIGHT (NO-HUB) MAX.	ROUGH IN HEIGHT (NEO-LOC) MIN.	ROUGH IN HEIGHT (NEO-LOC) MAX.
Z508, Z550, Z554, Z609, Z679	7-3/8 [187]	13-1/2 [343]	5-1/2 [140]	13-1/2 [343]
Z533	7-7/8 [200]	13-1/2 [343]	6-1/2 [165]	13-1/2 [343]

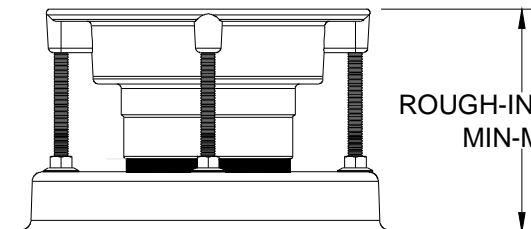
15 DIA. FLOOR DRAIN

Model #	ROUGH IN HEIGHT (NO-HUB) MIN.	ROUGH IN HEIGHT (NO-HUB) MAX.	ROUGH IN HEIGHT (NEO-LOC) MIN.	ROUGH IN HEIGHT (NEO-LOC) MAX.
Z505, 532, 534, 536, 537, 540, 541, Z545, Z610, Z625, Z626, Z627	7-7/8 [200]	13-1/2 [343]	6-1/2 [165]	13-1/2 [343]

NOTE: Rough-in heights shown are with use of 12 [305] long studs.



No-Hub

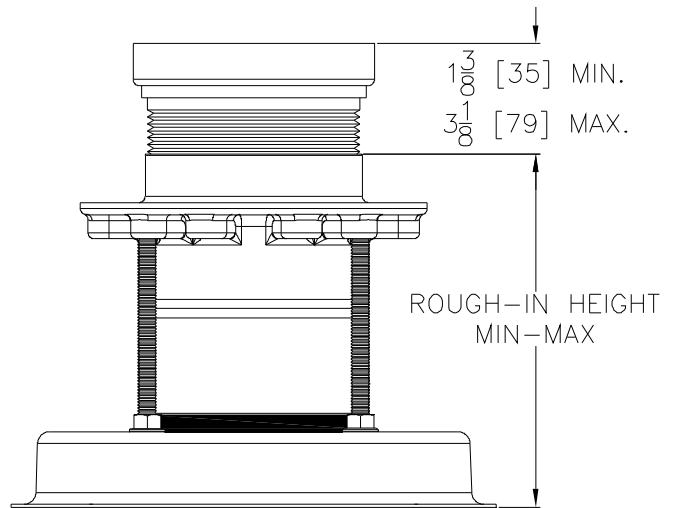
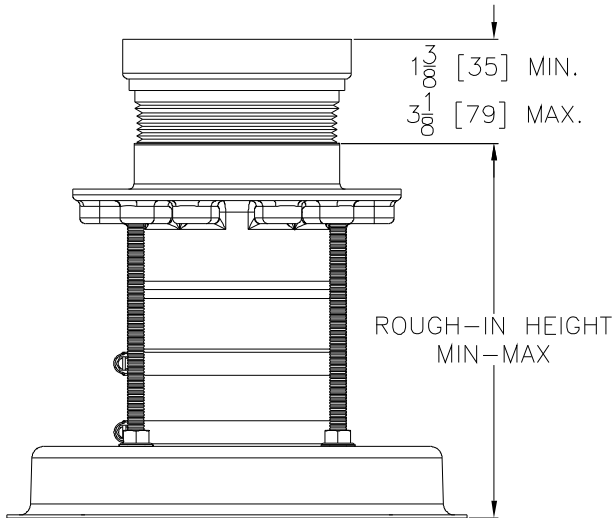


Neo-Loc

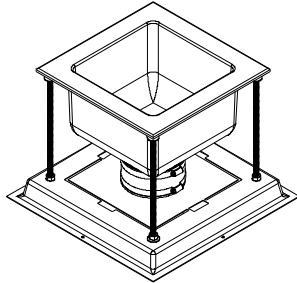
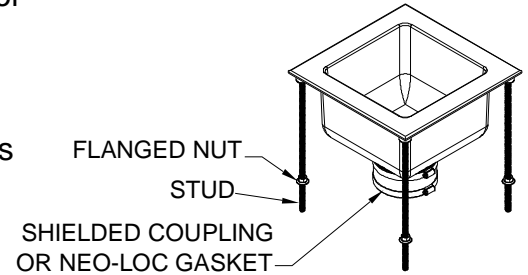


Z1400-K Cleanout (2,3,4 Sizes only)

Model #	ROUGH IN HEIGHT (NO-HUB) MIN.	ROUGH IN HEIGHT (NO-HUB) MAX.	ROUGH IN HEIGHT (NEO-LOC) MIN.	ROUGH IN HEIGHT (NEO-LOC) MAX.
Z1400-K	6-5/8 [168]	13-1/8 [333]	5-7/8 [149]	13-1/8 [333]

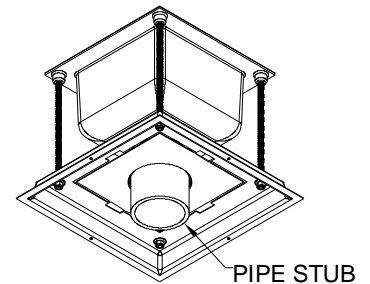


- Step1** Connect a shielded coupling to the Sani-Flor Receptor (No-Hub connection), or insert gasket into Sani-Flor Receptor (Neo-Loc connection).
- Step2** Remove the threaded studs from hardware bag (P.N. 66955-312-9) and screw into the tapped bosses on the underside of the Sani-Flor Receptor until tight.
- Step3** Screw one flanged nut onto each stud with the flange facing downward.

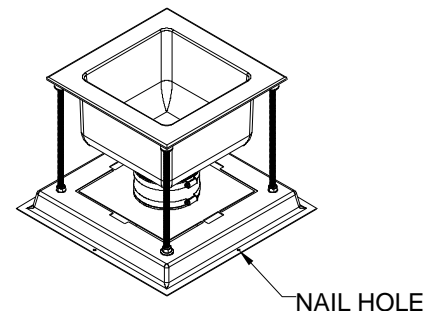


- Step4** Determine pipe size and remove appropriate knockout if necessary. Square knockout may also be removed to allow space for Sani-Flor Receptor in narrow floor applications. (See recessed sink instructions)
- Step5** Insert the studs through the four holes of the plate with the plate cavity facing downward. Set the Sani-Flor Receptor at the required rough-in height and screw the flanged nuts down until they are flush against the top of plate.
- Step6** Screw a second flanged nut onto each stud with the flange facing upward. Tighten both nuts on each stud until the plate is secured to the studs.

- Step7** Trim the studs down so that they are flush with the bottom of the plate. Set the assembly onto a level surface and check to ensure that the Sani-Flor Receptor is level with the plate. The flanged nuts can be loosened and tightened to allow for any necessary adjustments. Once leveled, trim any studs that extend beyond the cavity of the plate.
- Step8** Insert a stub of drainage pipe into the shielded coupling (No-Hub connection) or gasket (Neo-Loc connection) and secure. It is important that there be at least 1 1/4" of pipe protruding through the cavity of the plate, in order to make a connection to the remaining drainage line.



- Step9** Once the assembly is complete and set at the proper rough-in height, place the assembly in the proper location prior to concrete pour. The assembly can be nailed down to the concrete forms by using the nail holes provided on the rim of the plate.
- Step10** Concrete pour.
- Step11** After the concrete is set and the forms are stripped away, the result will be a voided area on the underside of the floor with a stub of pipe protruding through it. Trim off any nails that are extending beyond the concrete floor. The remaining drainage line can now be connected to the Sani-Flor Receptor assembly.

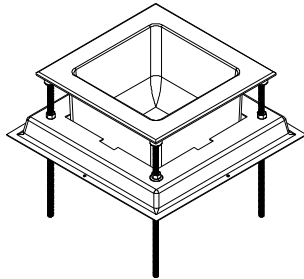
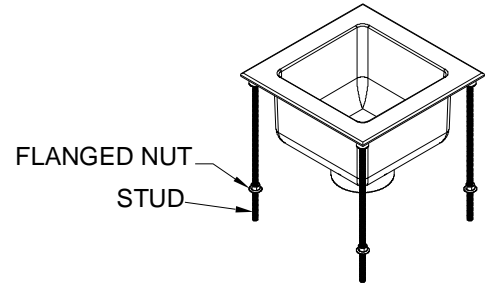




Z1903 ASSEMBLY INSTRUCTIONS (RECESSED FLOOR SINK)

Step1 Remove the threaded studs from hardware bag (P.N. 66955-312-9) and screw into the tapped bosses on the underside of the Sani-Flor Receptor until tight.

Step2 Screw one flanged nut onto each stud with the flange facing downward.



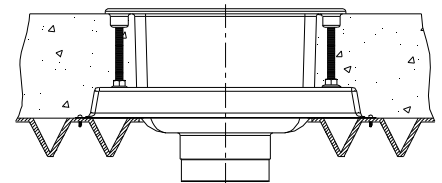
Step3 Remove square knockout to allow space for Sani-Flor Receptor in narrow floor applications.

Step4 Insert the studs through the four holes of the plate with the plate cavity facing downward. Set the Sani-Flor Receptor at the required rough-in height and screw the flanged nuts down until they are flush against the top of plate.

Step5 Screw a second flanged nut onto each stud with the flange facing upward. Tighten both nuts on each stud until the plate is secured to the studs.

Step6 Cut a hole in the metal deck to allow the floor sink to fit through.

Step7 Trim the studs down so that they are flush with the bottom of the plate. Set the assembly onto the deck and check to ensure that the Sani-Flor Receptor is level with the plate. The flanged nuts can be loosened and tightened to allow for any necessary adjustments. Once leveled, trim any studs that extend beyond the cavity of the plate.



Step8 Once the assembly is complete and set at the proper rough-in height. The assembly can be secured to the deck by using the nail holes provided on the rim of the plate.

Step9 Concrete pour.

Step10 After the concrete is set, the result will be a recessed floor sink on the underside of the floor. Trim off any nails that are extending beyond the concrete floor. The remaining drainage line can now be connected to the Sani-Flor Receptor assembly.