

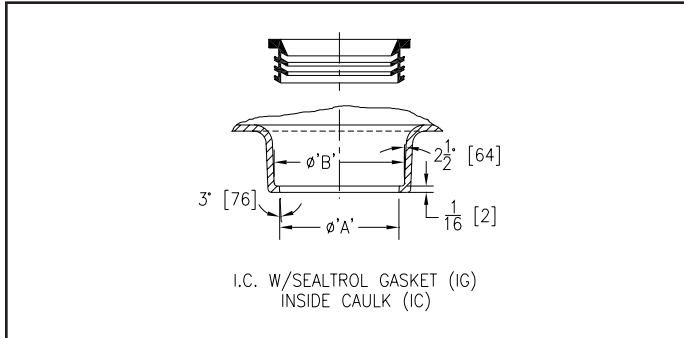
## ZURN OUTLET PIPE CONNECTIONS

### INSIDE CAULK (IC)

Often specified where drain body is positioned on pipe, bottom of outlet is sealed with oakum, and connection is then completed with melted lead.

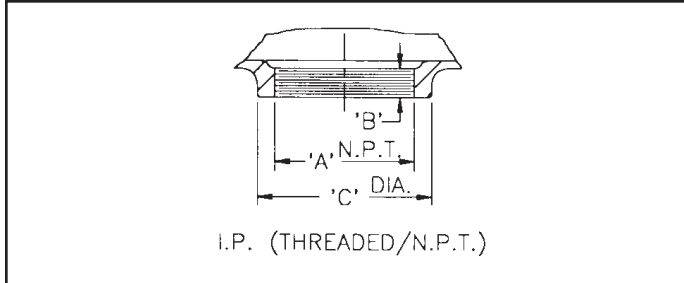
### INSIDE GASKET (IG)

The IG connections utilize an inside caulk drain body and a Zurn "Sealtrol" gasket. **This connection is only recommended for basement or ground floor applications.**



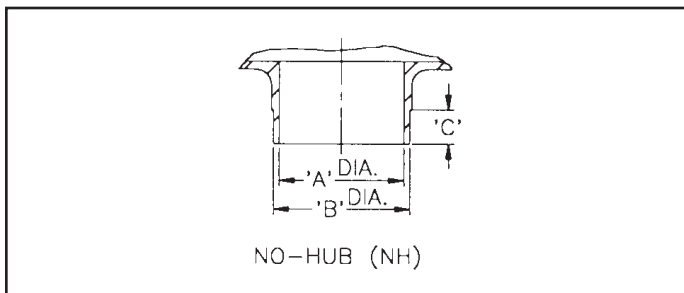
### IRON PIPE (IP)

Zurn Iron Pipe Threaded connection is an old industry standard. The female (NPT) threaded outlet is often specified on industrial and institutional applications.



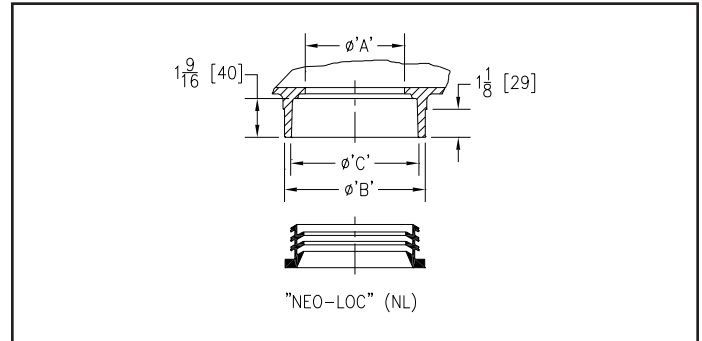
### NO-HUB (NH)

The most widely used connection. A No-Hub connection is achieved by butting No-Hub soil pipe or plastic pipe to the bottom of drain and securing it with a NH joint clamp. (Clamp furnished by others.)



### NEO-LOC (NL)

Zurn Neo-Loc is a unique labor saving compression gasketed connection designed to simply push on the stub end of the pipe. The Neo-Loc drain body and gasket can be utilized with plastic, steel, No-Hub, and service weight soil pipe. A unique pipe stop cast in each Zurn Neo-Loc drain body ensures a proper fit.



**Special Note:** Zurn "Neo-Loc" and "Sealtrol" gaskets are designed for use exclusively with Zurn drainage products. They are not sold separately and all warranties either expressed or implied would be forfeited if used in other than a Zurn drainage product.

OUTLETS	Dimensions in Inches [mm]		
	'A'	'B'	'C'
2" [51] No-Hub Outlet	2 [51]	2-3/8 [60]	1-1/8 [29]
3" [76] No-Hub Outlet	3 [76]	3-3/8 [86]	1-1/8 [29]
4" [102] No-Hub Outlet	4 [102]	4-3/8 [111]	1-1/8 [29]
5" [127] No-Hub Outlet	4-15/16 [126]	5-5/16 [135]	1-1/2 [38]
6" [152] No-Hub Outlet	5-15/16 [151]	6-5/16 [160]	1-1/2 [38]
8" [203] No-Hub Outlet	7-15/16 [202]	8-3/8 [213]	2 [51]
10" [254] No-Hub Outlet	10 [254]	10-9/16 [268]	2 [51]
12" [305] No-Hub Outlet	12 [305]	12-9/16 [319]	2 [51]
2" [51] Neo-Loc Outlet	2 [51]	3-3/8 [86]	3 [76]
3" [76] Neo-Loc Outlet	3 [76]	4-3/8 [111]	4 [102]
4" [102] Neo-Loc Outlet	4 [102]	5-1/2 [140]	5-1/8 [130]
2" [51] I.C. Outlet	2-5/8 [67]	3-1/16 [78]	—
3" [76] I.C. Outlet	3-3/4 [95]	4-3/16 [106]	—
4" [102] I.C. Outlet	4-3/4 [121]	5-3/16 [132]	—
5" [127] I.C. Outlet	5-3/4 [146]	6-3/16 [157]	—
6" [152] I.C. Outlet	6-3/4 [172]	7-3/16 [183]	—
8" [203] I.C. Outlet	8-7/8 [226]	9-1/2 [241]	—
2" [51] N.P.T. Outlet	2 [51]	9/16 [14]	3-1/4 [83]
3" [76] N.P.T. Outlet	3 [76]	3/4 [19]	4-1/2 [114]
4" [102] N.P.T. Outlet	4 [102]	15/16 [24]	5-5/8 [143]
5" [127] N.P.T. Outlet	5 [127]	15/16 [24]	6-11/16 [170]
6" [152] N.P.T. Outlet	6 [152]	15/16 [24]	7-3/4 [197]
8" [203] N.P.T. Outlet	8 [203]	1-1/8 [29]	9-3/8 [238]