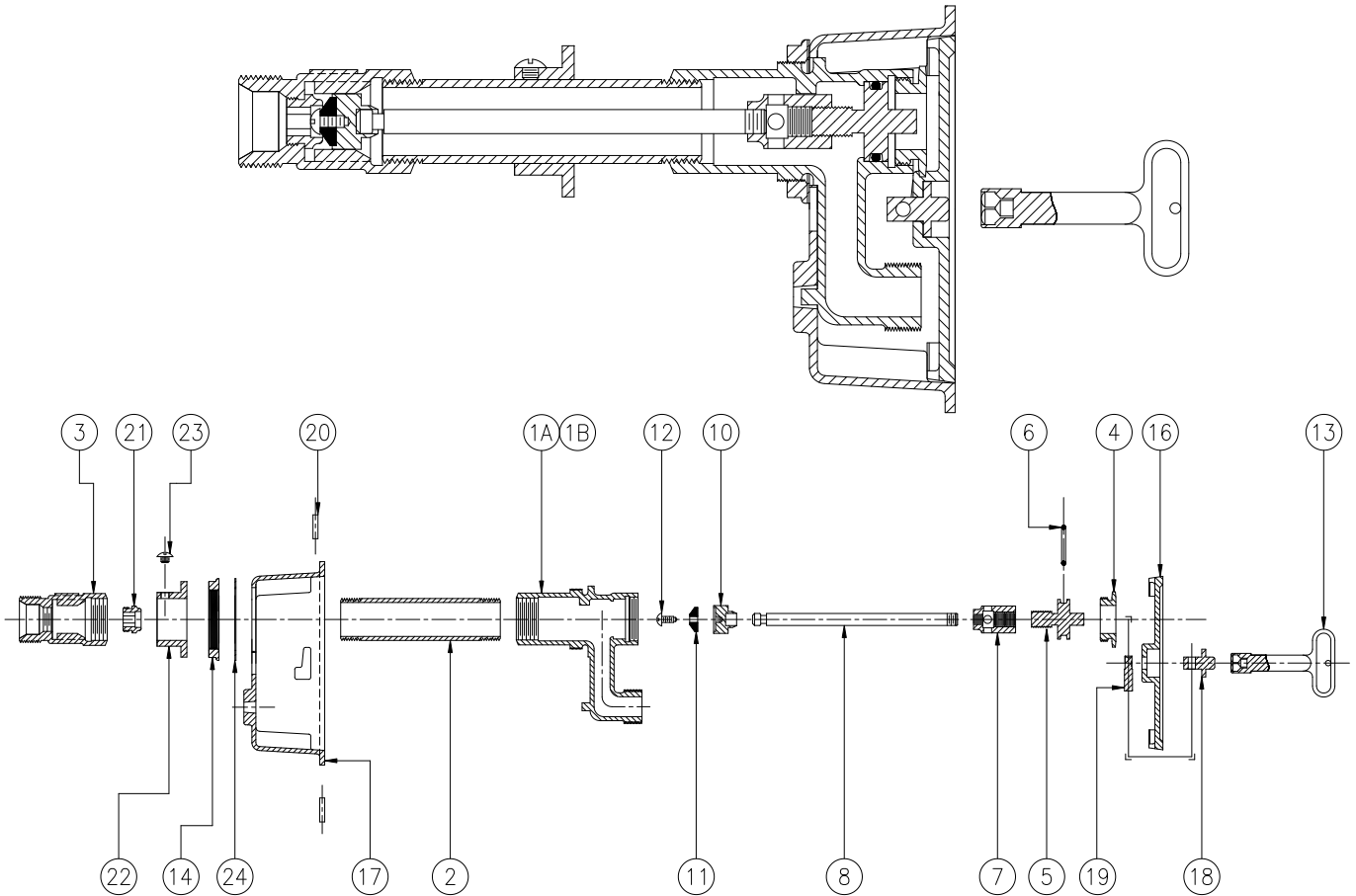




# Z1305 WALL HYDRANT ASSEMBLY

Dimensional Data (inches and [ mm ]) are Subject to Manufacturing Tolerances and Change Without Notice



List of Material

Item	Qty	Part No.	Description
1A	1	25302-001	Head - 3/4" Hose Connection
1B	1	25303-001	Head - 1" Hose Connection
2	1	50270-XXX	Casing
3	1	31258-001	Valve Housing
4	1	22156-002	Face Nut
*5	1	25049-001	Operating Screw
*6	1	23750-028	O-Ring
*7	1	25147-001	Operating Coupling
8	1	45042-XXX	Operating Rod
10	1	25050-001	Washer Guide
*11	1	23075-001	Washer
*12	1	14853-042	Screw #10-24 N.C.

List of Material

Item	Qty	Part No.	Description
*13	1	59546-001	Key
14	1	25242-001	Locknut
16	1	57423-001	Hydrant Cover
17	1	25301-001	Hydrant Body
18	1	25306-001	Locking Pin Mounting
19	1	25307-001	Locking Pin
20	1	45553-011	Hinge Pin
*21	1	25262-001	Removable Seat
22	1	50268-001	Wall Clamp (Optional)
23	1	26050-004	Wall Clamp Screw (Optional)
24	1	21425-060	Gasket

\* Items are available in -RK repair kit option Bag #66955-203-9.

**⚠ WARNING:** Cancer and Reproductive Harm - [www.P65Warnings.ca.gov](http://www.P65Warnings.ca.gov)

**⚠ ADVERTENCIA:** Cáncer y daño reproductivo - [www.P65Warnings.ca.gov](http://www.P65Warnings.ca.gov)

**⚠ AVERTISSEMENT:** Cancer et effets néfastes sur la reproduction - [www.P65Warnings.ca.gov](http://www.P65Warnings.ca.gov)

\* Regularly furnished unless otherwise specified.

**Zurn Industries, LLC | Specification Drainage Operation**  
 1801 Pittsburgh Avenue, Erie, PA U.S.A. 16502 · Ph. 855-663-9876, Fax 814-454-7929  
 In Canada | **Zurn Industries Limited**  
 3544 Nashua Drive, Mississauga, Ontario L4V 1L2 · Ph. 905-405-8272, Fax 905-405-1292  
[www.zurn.com](http://www.zurn.com)

Rev. B  
 Date: 4/13/2018  
 C.N. No. 139873  
 Form No. H17