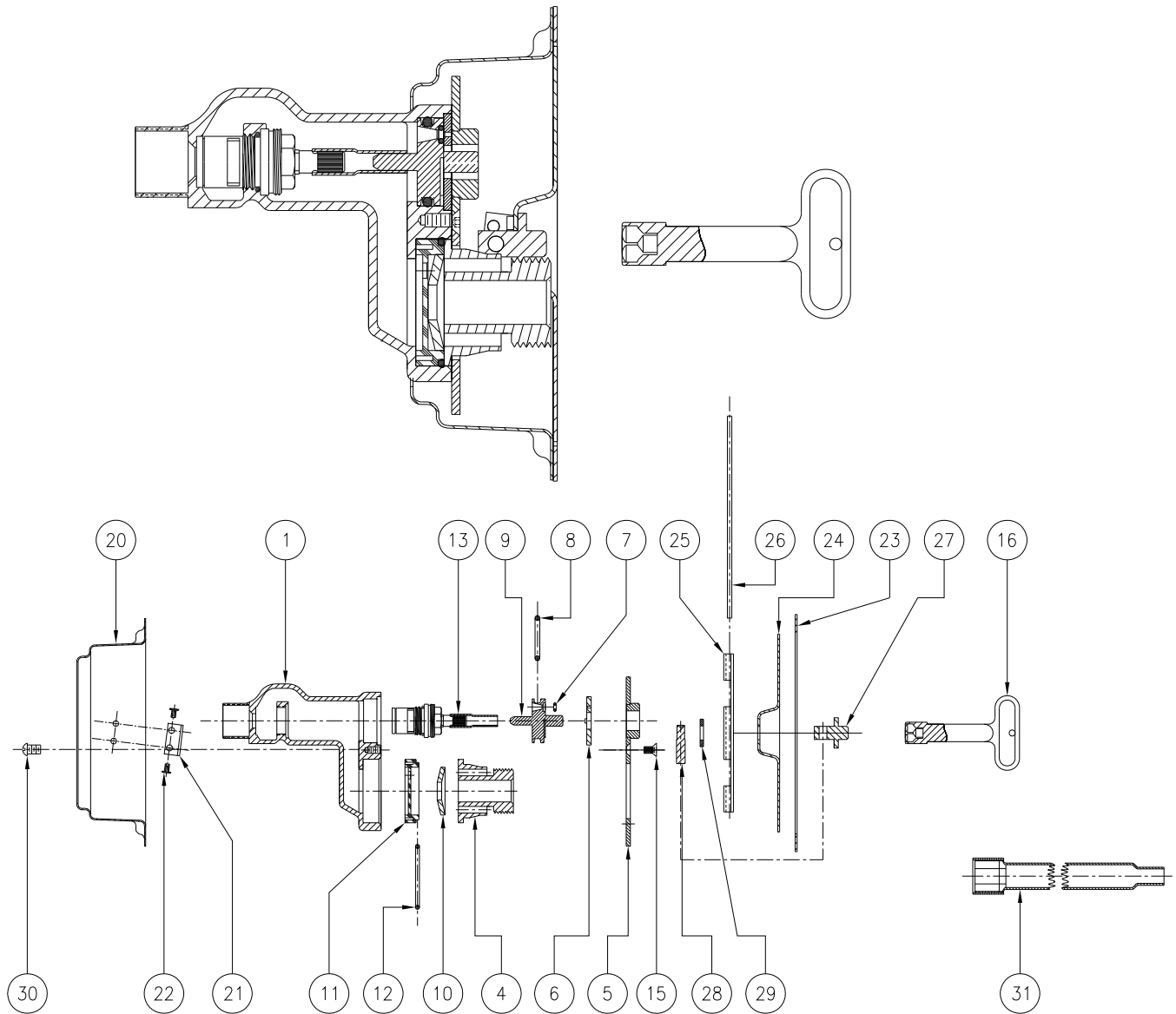




Z1330 WALL HYDRANT ASSEMBLY



LIST OF MATERIAL			
IT.	QTY	PART NO.	DESCRIPTION
1	1	60703-004	HEAD
4	1	50799-005	3/4" NOZZLE
5	1	56115-008	FACEPLATE
*	6	60228-001	RETAINING WASHER
*	7	23750-232	O-RING
*	8	23750-028	O-RING
*	9	60227-002	OPERATING COUPLING
*	10	50785-001	"EQUA-BALANCE" SEAL
*	11	50819-001	DISC
*	12	23750-204	DISCO-RING
	13	61402-001	CARTRIDGE/TUBE ASSEMBLY
	14		
	15	22698-047	FACEPLATE SCREW

LIST OF MATERIAL			
IT.	QTY	PART NO.	DESCRIPTION
*	16	59546-001	KEY
	20	56186-001	HYDRANT BODY
	21	52033-002	LOCK CLIP
	22	56201-002	LOCK CLIP RIVET
	23	56185-001	FRAME
	24	56187-002	HYDRANT COVER
	25	58482-001	HINGE BRACKET
	26	58483-001	HINGE PIN
	27	25306-001	LOCKING PIN MOUNTING
	28	25307-001	LOCKING PIN
	29	61631-001	WASHER
	30	14853-042	SCREW #10-24 N.C.
	31	62078-001	CARTRIDGE WRENCH (OPT)

* ITEMS ARE AVAILABLE IN -RK REPAIR KIT OPTION BAG #66955-195-9.

Form # H23 Date: 01/20/09 C.N. No. 99590 Rev. A