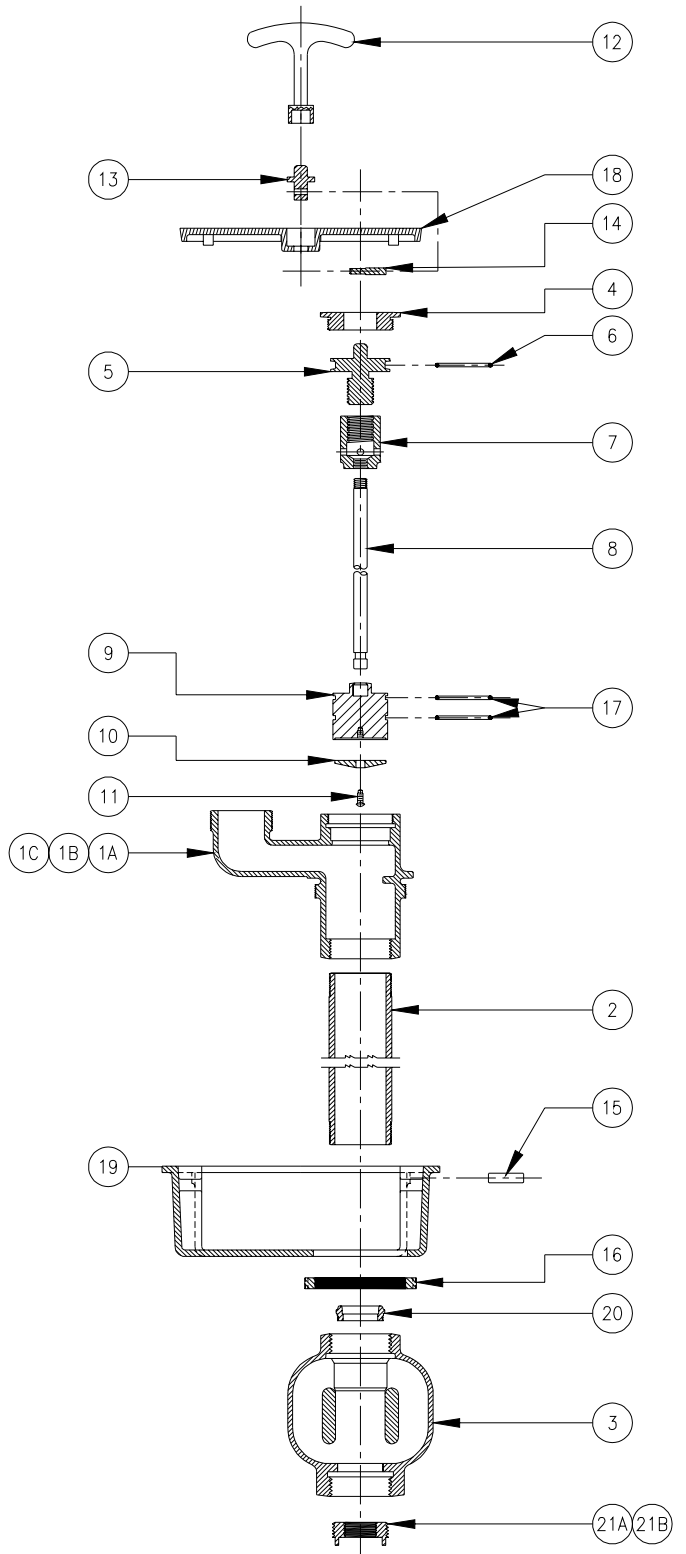
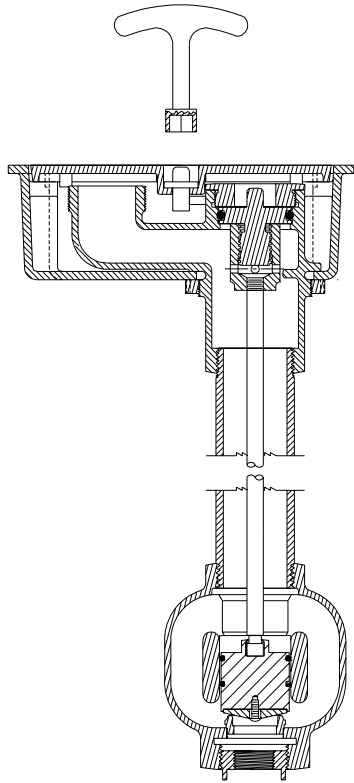




# Z1365 GROUND HYDRANT ASSEMBLY



### LIST OF MATERIAL

IT.	QTY	PART NO.	DESCRIPTION
1A	1	25518-003	HEAD 1 1/4" HOSE CONN.
1B	1	25518-002	HEAD 1 1/2" HOSE CONN.
1C	1	25518-001	HEAD 2" HOSE CONN.
2	1	25515-XXX	CASING
3	1	25517-003	VALVE HOUSING
4	1	25505-001	FACE NUT
* 5	1	25506-001	OPERATING SCREW
* 6	1	23750-037	O-RING
* 7	1	25507-001	OPERATING COUPLING
8	1	25516-XXX	OPERATING ROD
9	1	31436-001	WASHER GUIDE
* 10	1	25520-001	WASHER
* 11	1	14853-042	SCREW #10-24 N.C.
* 12	1	11600-001	KEY
13	1	25514-001	LOCKING PIN MOUNTING
14	1	25513-001	LOCKING PIN
15	2	45553-010	HINGE PIN
16	1	29895-001	LOCKNUT
* 17	2	23750-040	O-RING
18	1	25511-001	HYDRANT COVER
19	1	25512-001	HYDRANT BODY
* 20	1	25510-001	REMOVABLE SEAT
21A	1	23471-007	1 1/2" X 2" BUSHING
21B	1	23471-009	1 1/4" X 2" BUSHING

\* ITEMS ARE AVAILABLE IN -RK REPAIR KIT OPTION BAG #66955-200-9.

<b>Form #</b> H28	<b>Date:</b> 11/13/03	<b>C.N. No.</b> 91653	<b>Rev.</b> A
-------------------	-----------------------	-----------------------	---------------