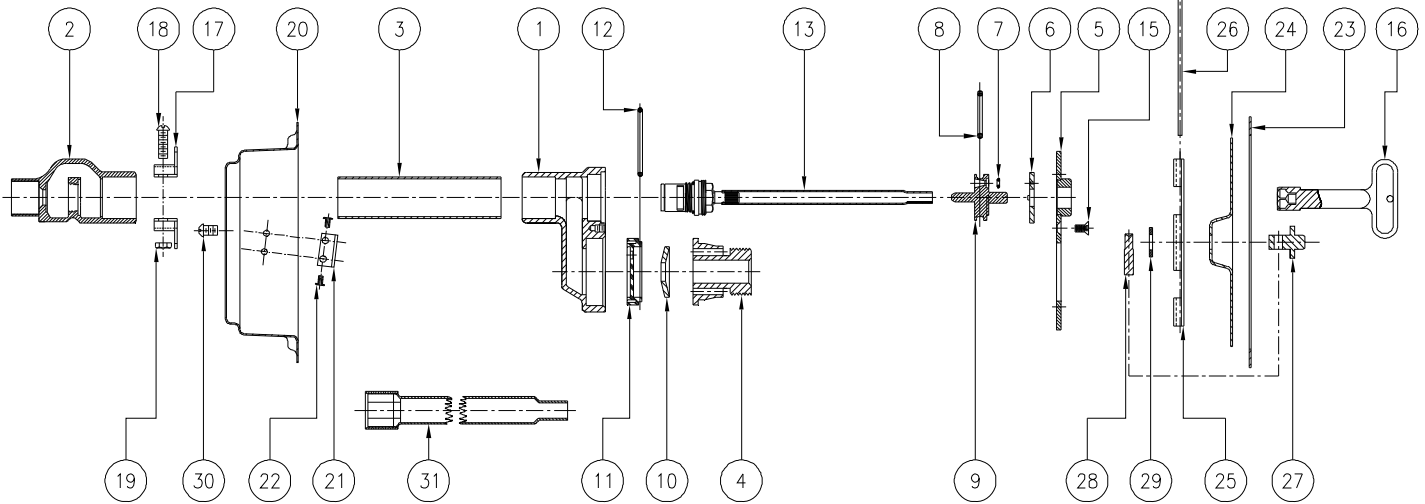
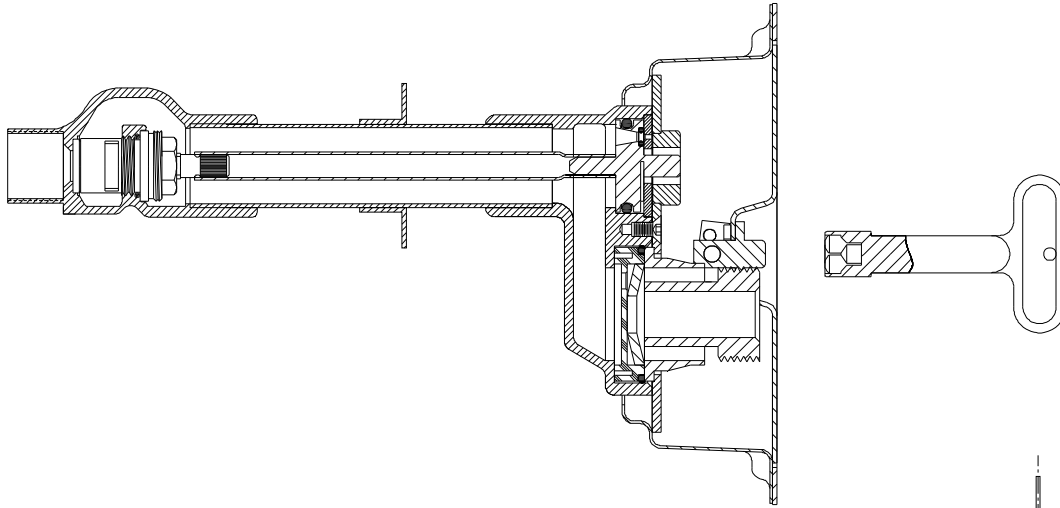




# Z1320XL WALL HYDRANT ASSEMBLY



LIST OF MATERIAL

IT.	QTY	PART NO.	DESCRIPTION
1	1	59634-XL1	HEAD
2	1	59629-XL4	CARTRIDGE HOUSING
3	1	60225-XXX	CASING
4	1	50799-XL1	3/4" NOZZLE
5	1	56115-XL3	FACEPLATE
* 6	1	60228-001	RETAINING WASHER
* 7	1	23750-232	O-RING
* 8	1	23750-028	O-RING
* 9	1	60227-XL2	OPERATING COUPLING
* 10	1	50785-001	"EQUA-BALANCE" SEAL
* 11	1	50819-001	DISC
* 12	1	23750-204	DISC O-RING
13	1	61402-XLX	CARTRIDGE/TUBE ASSEMBLY
15	5	22698-047	FACEPLATE SCREW
* 16	1	59546-001	KEY

LIST OF MATERIAL

IT.	QTY	PART NO.	DESCRIPTION
17	2	56071-002	WALL CLAMP (OPT)
18	2	14853-046	CLAMP SCREW (OPT)
19	2	14850-002	CLAMP NUT (OPT)
20	1	56186-001	HYDRANT BODY
21	1	52033-002	LOCK CLIP
22	2	56201-002	LOCK CLIP RIVET
23	1	56185-001	FRAME
24	1	56187-002	HYDRANT COVER
25	1	58482-001	HINGE BRACKET
26	1	58483-001	HINGE PIN
27	1	25306-001	LOCKING PIN MOUNTING
28	1	25307-001	LOCKING PIN
29	1	61631-001	WASHER
30	2	14853-042	SCREW #10-24 N.C.
31	1	62078-XXX	CARTRIDGE WRENCH (OPT)

\* ITEMS ARE AVAILABLE IN -RK REPAIR KIT OPTION BAG #66955-340-9.