



AquaSense® Z6933 Series Sensor Faucet

SEAMLESS FOR YOU AND USERS

The theme here is smooth. Zurn's AquaSense Z6933 Sensor Faucet installs quickly, wipes clean, and activates hands-free without hesitation for the user.

It's cost-effective too. The durable brass body with polished chrome-plated finish handles constant use within commercial restroom environments. The battery-powered infrared proximity sensor identifies the user with seamless precision.

Its 0.5 gpm aerator and 60-second timeout feature save water and costs. Other flow control options are available. Upgrade to touchless today!



Design

Sleek, modern design wipes clean, while complementing any environment.

Durability

All cast brass spout and consistent mounting hardware extend product lifespan.

Reliability

State-of-the-art electronics keep working long after install for lower maintenance and costs.

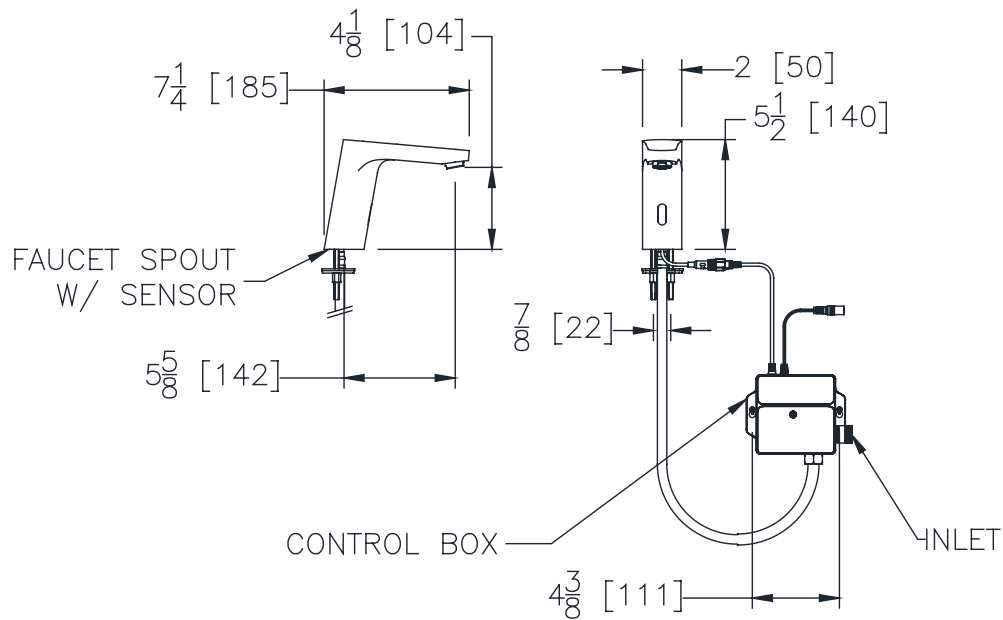
Ease of Installation

Electronics are accessible in line with the spout shank and below the deck, simplifying install, yet helping to prevent vandalism.

Eco-Friendly

Low-flow options save 0.35 gallon per minute aerators/flow to help you reach your efficiency goals and LEED points.

AquaSense® Z6933 Series Sensor Faucet Specification



ROUGH-IN DIMENSIONS/OVERVIEW DIMENSIONS

Architectural/Engineering Specification:

Designed for modern commercial restrooms, the AquaSense Z6933 sensor faucet delivers a superior user experience in both form and function. This sleek faucet installs with ease. It's designed and manufactured to comply with Section 1417 of the Safe Drinking Water Act (SDWA) which mandates the weighted average lead content of no more than 0.25% of the wetted surface.

Compliance and Certification:

- ADA Compliant
- ASME A112.18.1/CSA B125.1
- Lead Free Compliant
- Texas Accessibility Standard (TAS)

Suffix Options

- MV Temperature Mixing Valve
- TMV-1 Thermostatic Mixing Valve for Single Faucets
- SSH Single Supply Hose
- SH Supply Hoses for Mixing Valve
- CP4 4" Cover Plate

Product Features:

- Infrared convergence-type proximity sensor
- 60 second time out feature
- In-line filter
- 4 "AA" batteries
- 45" sensor cable
- 24" hose

Aerator Options:

	Flowrate GPM [LpM]	WaterSense* Labeled	Outlet Type
Standard	0.5[1.9]		Spray
-L	1.0[3.8]	✓	Aerator

*This device is WaterSense labeled when used with the appropriate flow rate and certified for residential and private restrooms.