



Specification Drainage Carrier System Index

To select the proper support for

Wall-Type Closets •

Urinals •

Lavatories •

Sinks •

Drinking Fountains •

Hospital Sinks •

Hospital Lavatories •



Contents

Page No.

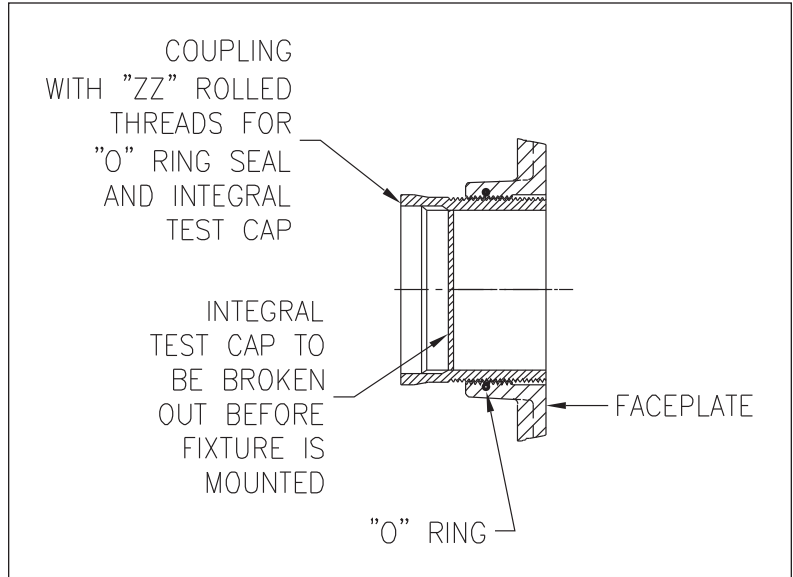
Introduction	2
Acorn	4
American Standard	4-5
Amsco (Steris)	6
Bradley	6
Briggs	7
Commercial Enameling	7
Crane-Fiat	8
Eljer	9-10
Elkay	10-11
Falcon	11
Gerber	12
Getinge-Castle	12
Halsey	12
Haws	13
Jewett	13
Just	14
Kohler	14-15
Mansfield	16
Metcraft	16
Oasis	17
Skytron	17
Sloan	17
Sunroc	18
Toto	18
Universal Rundle	19
Willoughby	19
Zurn Commercial Fixtures	Back Cover

Zurn Systems ...

Engineered To Solve Any Design Requirements.

Zurn furnishes as standard a coupling with a special rolled thread that engages an O-ring seal set in a groove in the faceplate in all Z1203 through Z1209 Adjustable Systems. This type of connection allows final coupling adjustment even after the wall is finished.

A 6" long ABS test cap coupling is regularly furnished and provides a 4" minimum to 5" maximum adjustability for Series Z1203 through Z1207 and 4" minimum to 5-1/8" maximum for the Z1208 and Z1209 Series. Other coupling lengths are available to suit project requirements.



Z1223
Plate-Type System
 Trough Urinals



Z1224
Plate-Type System
 Lavatory with Back



Z1225
Plate-Type System
 With Bearing Plate
 Electric Water Coolers



Z1229
Plate and Exposed Arm
 Heavy Sinks



Z1231
Concealed Arm System
 Wall Lavatories



Z1236
Exposed Arm System
 Service Sinks



Z1251
Wall-Supported
Concealed Arm System
 For Lavatories



Z1253
Adjustable, Wall-Supported
Concealed Arm System
 For Lavatories



Z1254
Adjustable, Wall-Supported
Concealed Arm System
 For Lavatories



Z1255
Wall-Supported
Exposed Arm System



Z1256
Wall-Supported
Exposed Arm System
 For Lavatories



Z1257
Wall-Supported
Exposed Arm System
 For Lavatories



Z1258
Wall-Supported
Exposed Arm System
 For Lavatories



Zurn Alternate Systems

Zurn Recommended System	Zurn Suggested Alternate Systems
Z1218	Z1217
Z1221	Z1259
Z1222	Z1259-2
Z1223	–
Z1224	Z1259
Z1225	Z1259-2
Z1229	–
Z1231	Z1251, Z1253, Z1254
Z1236	Z1255, Z1256, Z1257, Z1258

Acorn Wall-Type Fixtures

Fixture Number(s)	Fixture Name	Size(s)	*Zurn Recommended System(s)
1650	Stainless Steel Lavatory	20 x 12½	Z1224-2
1652	Stainless Steel Lavatory		Z1224
1658	Stainless Steel Lavatory	18 x 12	Z1224-2
1672	Drinking Fountain	15 x 18	Z1225
1700, 1701, 1702	Urinal		Z1222
1705	Urinal		Z1222
1950	Dura-Ware Lav	18 x 15	Z1224
1950-LC	Dura-Ware Lav	20 x 15	Z1231, Z1253, Z1254
1951, 1952, 1953	Dura-Ware Lav	18 x 18	Z1224
1953-LC	Dura-Ware Lav	20 x 15	Z1231
1953-LC	Dura-Ware Lav	22 x 20	Z1254
1951	Stainless Steel Lav	18 x 18	Z1224-2
1958	Stainless Steel Lav	22 x 18	Z1224-2
2012	Drinking Fountain	13 x 18	Z1225
2160, 2161, 2162, 2163	Urinal		Z1222
2165, 2166, 2167, 2168	Urinal		Z1222
2171-4	Urinal		Z1223
3401, 3402	Scrub Sink	27¾ x 17	Z1225
3601	Stainless Steel, 1 Person	20 x 15 94 x 22	Z1236, Z1256 Z1223
3763	Counter Top, 3 Station	90 x 22	Z1231
3773-1, 3773-3	Washbasin	80 x 21½	Z1223
4101	Surgical Sink	32 x 27	Z1236-75
4102	Surgical Sink	63¾ x 27	Z1236-75
4103	Surgical Sink	94 x 27	Z1236-75
4111	Surgical Sink		Z1225
4112	Surgical Sink	63 x 23	Z1225

American Standard Wall-Type Fixtures

Wall Closets:

Siphon Jet – Use Zurn Systems Z1203, Z1204, Z1208 or Z1209 (ZE - Optional).

Blow Out – Use Zurn Systems Z1203-B, Z1204-B, Z1208-B or Z1209-B (ZE - Optional).

Fixture Number(s)	Fixture Name	Size(s)	*Zurn Recommended System(s)
0124.024	Comrade	20 x 18	Z1224, Z1224-2, Z1224-D, Z1224-WS, Z1259, Z1259-2, Z1259-BP
0124.131	Comrade	20 x 18	Z1231, Z1231-D, Z1251, Z1253, Z1254
0194.019, 0194.035, 0194.225, 0195.016	Roxalyn	20 x 18	Z1236, Z1236-D, Z1236-WS, Z1255, Z1256, Z1256-D, Z1257, Z1258
0194.043, 0194.076, 0194.092, 0195.073	Roxalyn	20 x 18	Z1231-E2, Z1231-D-E2, Z1251-E2, Z1253-E2, Z1254-E2
0194.100, 0195.222	Roxalyn	24 x 20	Z1236, Z1236-D, Z1236-WS, Z1255, Z1256, Z1257, Z1258
0194.134, 0195.289	Roxalyn	24 x 20	Z1231-E2, Z1231-E2-D, Z1231-WS-E2, Z1251-E2, Z1253-E2, Z1254-E2
0321.026, 0321.075	Declyn	19 x 17	Z1224, Z1224-D, Z1259, Z1231, Z1231-D, Z1231-D-WS, Z1231-WS, Z1251, Z1253, Z1254
0355.012, 0355.034, 0355.235, 0356.015, 0350.132, 0356.203, 0356.421, 0356.439	New Lucerne	20 x 18	Z1224, Z1224-2, Z1224-D, Z1231, Z1231-D, Z1231 w/bplate, Z1251, Z1253, Z1254, Z1259, Z1259-2, Z1259-BP, Z1259-SP
0355.027, 0356.252, 0356.261, 0356.028, 0356.041, 0356.066, 0356.421	Lucerne	20 x 18	Z1224, Z1224-2, Z1224-D, Z1224-WS, Z1231, Z1236, Z1236-D, Z1255, Z1256, Z1257, Z1258

*See page 3 for alternate systems to the Zurn Recommended System.

NOTE: When ordering desired Zurn system, be sure to identify fixture to be supported by number and size.

American Standard Wall-Type Fixtures, continued

Fixture Number(s)	Fixture Name	Size(s)	*Zurn Recommended System(s)
0372.029, 0373.027	Penlyn	18 x 15½	Z1224, Z1224-D, Z1224-2, Z1236, Z1236-D, Z1255, Z1256, Z1257, Z1258, Z1259, Z1259-SP
0372.052, 0373.050	Penlyn	18 x 15½	Z1231, Z1231-D, Z1251, Z1253
0377-403 0377-803	Colony	20 x 18	Z1221 Z1231
0421.026, 0431.033, 0431.066, 0421.018, 0421.026, 0421.034, 0431.025	Prison Lav	14 x 13	Z1224, Z1224-2, Z1259-D
0421.067, 0421.075, 0431.041, 0431.058	Prison Lav	14 x 13	Z1224
0451.021	Corner Minette	11 x 11 x 16¼	Z1224-5
0954.000, 0955.000, 0958.000	Murro	21¼ x 22	Z1231
2093.500	Glenwall		Z1212
2477.016	Afwall		Z1212
2511.012	Insanto		Z1212-B
2529.014	Neolo		Z1212-F
4867.016, 4869.012, 4867.024, 4869.020, 4867.032, 4869.038	Regalyn	19 x 17 20 x 18	Z1224, Z1224-D, Z1224-2, Z1224-2-D, Z1259, Z1259-2, Z1259-BP, Z1259-SP Z1224, Z1224-D, Z1224-2, Z1224-2-D, Z1229, Z1231-AL, Z1236-AL, Z1251-AL, Z1255-AL, Z1256-AL, Z1257-AL, Z1258-AL, Z1259, Z1259-2, Z1259-BP, Z1259-SP
5300.033, 5300.017, 5300.066	Ledgemere	13 x 13	Z1224, Z1259, Z1259-SP
5300.124, 5300.108, 5300.157	Ledgemere	16 x 14	Z1224, Z1236-AL, Z1236-D, Z1255, Z1256, Z1257, Z1258, Z1259, Z1259-SP
6484.000	Melbo	4 Feet x 18 Inches	Z1223
6300.100, 6305.100	Colony		Z1221, Z1222
6501.010, 6506.011	Washbrook		Z1221, Z1221-D, Z1222, Z1259, Z1259-2, Z1259-BP, Z1259-SP
6531.019, 6531.037, 6538.010, 6538.031, 6601.012, 6605.027	Lynbrook		Z1221, Z1221-D, Z1222, Z1259
6541.132, 6541.167	Allbrook	14 x 14	Z1221, Z1222, Z1259, Z1259-BP, Z1259-SP
6561.017, 6561.023	Trimbrook		Z1221, Z1221-D, Z1222, Z1259, Z1259-SP
6570.014, 6570.022	Jetbrook		Z1221, Z1222, Z1259, Z1259-2, Z1259-SP
6581.015, 6581.021	Maybrook	12¾ x 12¾	Z1221, Z1222, Z1259, Z1259-BP
7602.000	Lake	24 x 20	Z1236-AL
7692.023, 7692.049	Lakewell	22 x 18	Z1224, Z1229, Z1236-AL
7695.018, 7696.016	Akron	24 x 20	Z1223-2, Z1224, Z1229, Z1259
8310.112, 8310.120, 8310.146	Saratoga	14 x 13	Z1224, Z1225, Z1259, Z1259-2, Z1259-BP, Z1259-SP
8534.000, 8535.000, 8536.000	Carnegie	4 Feet 5 Feet 6 Feet	Z1229, Z1236 Z1223-2, Z1229-1, Z1236 Z1229-1, Z1236
9004.004, 9008.008	Ellisse	27 x 21	Z1224
9010.010, 9010.018, 9010.042, 9012.014, 9013.020	Surgeon Lav	28 x 20	Z1231-E2-WS, Z1236, Z1236-D, Z1251-E2, Z1253, Z1254-E2, Z1255, Z1256, Z1257, Z1258
9040.015	Perineal Bath		Z1219
9047.044, 9047.093	Surgeon Lav	28 x 22	Z1229, Z1229-WS, Z1229-WS-75, Z1236, Z1236-D, Z1236-WS
9061.193, 9061.250, 9061.292	All Purpose Sink	30 x 22 30 x 22 Mod.	Z1236 Z1256
9140.013, 9141.011	Wheelchair Lav	20 x 27	Z1231-79, Z1231-D-79, Z1251-79
9203.027, 9203.043, 9204.025, 9204-041	Corner Lav	26 x 20	Z1224-5, Z1236
9512.013	Clinic Service Sink	24½ x 20	Z1218-B, Z1218-B-WS, Z1217-B, Z1217-B-WS, Z1217-F4-B, Z1217-F4-WS, Z1217-B-F9-WS

*See page 3 for alternate systems to the Zurn Recommended System.

NOTE: When ordering desired Zurn system, be sure to identify fixture to be supported by number and size.

Amsco (Steris) Wall-Type Fixtures

Fixture Number(s)	Fixture Name	Size(s)	*Zurn Recommended System(s)
SD-4	Scrub Sink	25 x 18	Z1229-WS
Unimatic II	Scrub Sink - Single Station	32 x 27	Z1224-75
Unimatic II	Scrub Sink - Double Station	64 x 27	Z1224-75
Unimatic II	Scrub Sink - Triple Station	96 x 27	Z1224-75
4730	Bedpan Washer and Steamer		Z1221
B-A07	Modulav	39½ x 18½	Z1224
B-A08		22¼ x 12¼	Z1224
F-7736	Bedpan Sterilizer		Z1221

Bradley Wall-Type Fixtures

Fixture Number(s)	Fixture Name	Size(s)	*Zurn Recommended System(s)
	Duowash Fountain	27½ x 17	Z1224-2
2023	Wash Fountain	36	Z1225
2023	Wash Fountain	54	Z1225
2901	Uni-Fount		Z1236
2944	Terreon	26 x 46	Z1225
3010	Lava. Deck	22 x 30	Z1231
6350, 6380	Stainless Steel Lav	17 x 12½	Z1224-2
6101, 6101VFM	Stainless Steel Lav	18 x 18	Z1225
6500VFM, 6570VFM, 6577VFM, 6578VFM	Stainless Steel Lav	18 x 22	Z1225
6585	Stainless Steel Lav		Z1224-2
8000, 8001, 8100, 8101, 8002BX, 8003BX, 8102BX, 8103BX, 8200, 8201, 8202BX, 8203BX	Stainless Steel Urinal		Z1221, Z1222
MG-2/IR, MG-2/AST	Two-Station	54 x 22	Z1225
S93-009 (2209 AST), S93-011 (2211 AZ)	Wash Fountain	27¾ x 18½	Z1225
SN2003, Type 'A'; SN2004, Type 'A'	Wash Fountain	54 x 35¼	Z1225
SS-1	Express	21 x 21	Z1231
SS-3/AST, SS-3/IR	Three-Station	80 x 21	Z1231
TL-15	Lavatory	20 x 15	Z1224-2
TL-18	ADA Lavatory	20 x 18	Z1224-2

*See page 3 for alternate systems to the Zurn Recommended System.

NOTE: When ordering desired Zurn system, be sure to identify fixture to be supported by number and size.

Briggs Wall-Type Fixtures

Wall Closets:

Siphon Jet – Use Zurn Systems Z1203, Z1204, Z1208 or Z1209 (ZE - Optional).

Blow Out – Use Zurn Systems Z1203-B, Z1204-B, Z1208-B or Z1209-B (ZE - Optional).

Fixture Number(s)	Fixture Name	Size(s)	*Zurn Recommended System(s)
6601, 6606, 6607	Milton	20 x 18	Z1224, Z1231, Z1231-D, Z1236, Z1236-D, Z1251, Z1253, Z1254, Z1255, Z1256, Z1257, Z1258
6602, 6603	Whitman	19 x 17	Z1224
6602, 6603	Whitman	20 x 18	Z1224, Z1231, Z1231-D, Z1236, Z1251, Z1253, Z1254, Z1255, Z1256, Z1257, Z1258
6604	Wee Bairn		Z1224
6630, 6635	Petite Grace	20 x 22	Z1231, Z1251
6640, 6645	Grace	20 x 27	Z1231-79, Z1231-79-D, Z1251-79, Z1253-79, Z1254-79
6660, 6665	Dryden	20 x 18	Z1231-E2, Z1236, Z1253-E2
7501	Pennton		Z1221, Z1222
7517	Hilton	13 x 14 ¹ / ₄	Z1222
7525, 7530	Hilton		Z1221, Z1222
7550, 7560	Lawton		Z1221, Z1222
7570	Weston	18 x 27 ¹ / ₈	Z1222

Commercial Enameling Wall-Type Fixtures

Fixture Number(s)	Fixture Name	Size(s)	*Zurn Recommended System(s)
203	Wash Sink	3 Feet	Z1224-2-75
204	Wash Sink	4 Feet	Z1224-2-75
205	Wash Sink	5 Feet	Z1224-2-75
540, 541	Wash Sink	19 x 17	Z1224
550, 551	Wash Sink	20 x 18	ZR1224
550-A, 551-A	Wash Sink	20 x 18	Z1231-AL, Z1236-AL, Z1251-AL
540-B, 541-B	Wash Sink	19 x 17	Z1224-2
550-B, 551-B	Wash Sink	20 x 18	
550-B, 551-B	Wash Sink	20 x 18	Z1259, Z1259-SP
865, 867	Service Sink	20 x 18	Z1229
866, 868	Service Sink	24 x 20	Z1229

*See page 3 for alternate systems to the Zurn Recommended System.

NOTE: When ordering desired Zurn system, be sure to identify fixture to be supported by number and size.

Crane-Fiat Wall-Type Fixtures

Wall Closets:

Siphon Jet – Use Zurn Systems Z1203, Z1204, Z1208 or Z1209 (ZE - Optional).

Blow Out – Use Zurn Systems Z1203-B, Z1204-B, Z1208-B or Z1209-B (ZE - Optional).

Fixture Number(s)	Fixture Name	Size(s)	*Zurn Recommended System(s)
1127, 1H138	Oxford	19 x 17	Z1224, Z1224-2, Z1224-D, Z1231, Z1231-D, Z1236, Z1251, Z1253, Z1254, Z1255, Z1256, Z1257, Z1258, Z1259, Z1259-2, Z1259-BP, Z1259-SP
1160, 1H161, 1H163	Norwich L/Back	20 x 18	Z1236, Z1236-D, Z1255, Z1256, Z1257, Z1258
1165	Norwich	20 x 18	Z1231-E2, Z1231-D-E2, Z1251-E2, Z1253-E2, Z1254-E2
1194, 1H195, 1H196	Norwich W/Back	18 x 15	Z1224, Z1224-2, Z1224-D, Z1224-2-D, Z1231, Z1231-D, Z1236, Z1236-D, Z1251, Z1253, Z1255, Z1256, Z1257, Z1258, Z1259, Z1259-2, Z1259-BP, Z1259-SP
1194, 1206, 1H193, 1H196, 1H206, 1H209	Norwich W/Back	20 x 18	Z1224, Z1224-2, Z1224-D, Z1224-2-D, Z1231, Z1231-D, Z1236, Z1236-D, Z1251, Z1253, Z1254, Z1255, Z1256, Z1257, Z1258, Z1259, Z1259-2, Z1259-BP, Z1259-SP
1194, 1H195, 1H196, 1H206	Norwich	24 x 21	Z1224, Z1224-2, Z1224-D, Z1224-2-D, Z1231, Z1231-D, Z1236, Z1236-D, Z1236-BS, Z1251, Z1253, Z1254, Z1255, Z1256, Z1257, Z1258, Z1259, Z1259-2, Z1259-BP, Z1259-SP
1300, 1H301	Yorkshire	20 x 18	Z1224, Z1224-D, Z1231, Z1231-D, Z1236, Z1236-D, Z1251, Z1253, Z1254, Z1255, Z1256, Z1257, Z1258, Z1259, Z1259-SP
1318, 1320	Westmont	19 x 17	Z1224, Z1224-D, Z1231, Z1231-D, Z1251, Z1253, Z1254
1H369, 1H371, 1372	Cornate	17 x 17	Z1224-6, Z1236, Z1236-D, Z1255, Z1256, Z1257, Z1258
1377	Squire	15 x 12	Z1224, Z1224-D
1412	Harwich	18 x 15	Z1231
1410, 1412, 1H410, 1H413	Harwich	20 x 18	Z1224, Z1231, Z1231-D, Z1231-WS, Z1231-mod., Z1251, Z1253, Z1254
1506	Fermont	20 x 18	Z1224, Z1236-AL, Z1259-SP
1604	Parvus	14 x 13	Z1224, Z1259
1H360	Wheelchair Lav	20 x 27	Z1231-79, Z1251-79, Z1253-79, Z1254-79
1H364	Wheelchair Lav	21 x 22 ³ / ₄	Z1231-79, Z1251-79, Z1253-79, Z1254-79
2H580	Sculptra	27 x 13	Z1219
4642, 4642-1, 4643	Clayton	20 x 19 ¹ / ₄	Z1231
4642, 4642-1, 4643	Clayton Modified	20 x 19 ¹ / ₄	Z1231-mod.
4682, 4683	Wheelchair Lav	20 x 27 ³ / ₈	Z1231-79
5H241	Surgeons Sink	20 x 18, 22 x 20	Z1236
5H256, 5H258	Neu-Medic	24 x 23	Z1231-SL, Z1231-SL-WS, Z1236
5H256, 5H258	Neu-Medic	31 x 23	Z1231, Z1231-SL, Z1231-SL-WS, Z1236, Z1236-WS
6523, 6525	Waterfall	13 x 12	Z1225, Z1225-L2
6570, 6615	Coolbrook	15 x 26 ⁵ / ₈	Z1224-2
772, 774	Cromwell	18 x 11 ³ / ₄	Z1222
7104, 7H104	Expedio (T)		Z1221, Z1222-75, Z1259-SP
7108	Manhattan (T)		Z1221, Z1222
7120, 7121, 4992	Bedford Urinal		Z1221, Z1222
7150, 7160	Embassy		Z1221, Z1222, Z1259, Z1259-SP, Z1259-2, Z1259-BP
7180	Del Rio		Z1221, Z1222, Z1259, Z1259-SP, Z1259-2
7187, 7197E	Cromwell		Z1221, Z1222, Z1259, Z1259-SP, Z1259-2, Z1259-BP
7206, 7207, 7208, 7209, 7306, 7307, 7308, 7309	Manhattan		Z1221, Z1222
7360	Embassy		Z1222
7390	Del-Rio		Z1222
7397	Cromwell		Z1259
7503	Service Sink	22 x 20	Z1236
7H544	Sani Sink	22 x 25	Z1217-B, Z1218-B, Z1218-B-WS

*See page 3 for alternate systems to the Zurn Recommended System.

NOTE: When ordering desired Zurn system, be sure to identify fixture to be supported by number and size.

Eljer Wall-Type Fixtures

Wall Closets:

Siphon Jet – Use Zurn Systems Z1203, Z1204, Z1208 or Z1209 (ZE - Optional).

Blow Out – Use Zurn Systems Z1203-B, Z1204-B, Z1208-B or Z1209-B (ZE - Optional).

Fixture Number(s)	Fixture Name	Size(s)	*Zurn Recommended System(s)
011-0250	Cas. Per. Bath	28 x 24	Z1219
011-0255, 051-0144	Cas. Per. Bath	19½ x 17	Z1224
051-0665, 051-0664, 051-0668, 051-0675	Ashley	22¼ x 19½	Z1224
051-1304	Blair	19 x 17	Z1231, Z1251
051-1307, 051-1308	Blair	20 x 18	Z1231, Z1251
051-1344	Blair	19 x 17	Z1224, Z1231, Z1231-D, Z1236, Z1236-D, Z1251, Z1253, Z1254, Z1255, Z1257, Z1258, Z1259
051-1348	Blair	19 x 17	Z1231, Z1231-D, Z1256
051-1354	Blair	20 x 18	Z1231, Z1231-D, Z1236, Z1251, Z1253, Z1254, Z1255, Z1256, Z1257, Z1258
051-1358	Blair	20 x 18	Z1224, Z1231, Z1231-D, Z1251
051-1384	Terry	16 x 12½	Z1224
051-1403, 051-1404, 051-1433, 051-1483	Cornice	18½ x 18½	Z1224-5
051-1541, 051-1644, 051-1840, 051-1848, 051-2541, 051-2644, 051-2840, 051-2848	Delwyn	20 x 18	Z1224, Z1224-D, Z1224-2, Z1231, Z1231-D, Z1236, Z1236-BS, Z1236-D, Z1251, Z1253, Z1254, Z1255, Z1256, Z1257, Z1258, Z1259, Z1259-D, Z1259-SP, Z1259-2, Z1259-BP
051-1634, 051-1838	Delwyn	18 x 15	Z1224, Z1224-D, Z1231, Z1231-D, Z1251, Z1253, Z1254, Z1259, Z1259-D
051-2205, 051-2209	Freestyle	20 x 18	Z1231
051-2101, 051-2104, 051-2108	Signature	20 x 18	Z1231
051-2420, 051-2424, 051-2425, 051-2428, 051-2429	Signature	24 x 20	Z1231
051-2231, 051-2344, 051-2445, 051-2241, 051-2244, 051-2245, 051-2248	Mayburne	20 x 18	Z1231-E2, Z1231-D-E2, Z1236, Z1236-D, Z1251-E2, Z1253-E2, Z1254-E2, Z1255, Z1256, Z1257, Z1258
051-2614	Maywyn	20 x 18	Z1231-D-E2, Z1231-E2, Z1236, Z1236-D, Z1251-E2, Z1253-E2, Z1254-E2, Z1255, Z1256, Z1257, Z1258
051-2964, 051-2968, 051-2961	Wheelchair Lav	27¼ x 20¼	Z1231-79, Z1231-D-79, Z1251-79, Z1253-79, Z1254-79
051-3435, 051-3436, 051-3437	Prison	14 x 12	Z1224
051-2241, 051-2244, 051-2245, 051-2248	Signature	20 x 18	Z1231-E2, Z1231-D, Z1236, Z1251-E2, Z1253-E2, Z1254-E2, Z1255, Z1256, Z1257, Z1258
051-3544, 051-3568	Signature		Z1224, Z1231, Z1231-D, Z1236, Z1251
052-0132	Bruce	19 x 17	Z1224, Z1224-D
052-0164, 052-0169, 052-0178, 052-0179, 052-0181	Bucknell	19 x 17	Z1224, Z1224-D, Z1236, Z1255, Z1256, Z1257, Z1258, Z1259, Z1259-SP
052-0174, 052-0175, 052-0188, 052-0189, 052-0195	Bucknell	20 x 18	Z1224, Z1224-D
052-0198, 052-0201, 052-0202, CL20181, CL20184, CL20188	Bucknell	20 x 18	Z1224, Z1224-D, Z1231-AL, Z1236-AL, Z1253-AL, Z1255-AL, Z1256-AL, Z1257-AL, Z1258-AL, Z1259
052-0196, 052-0197, 052-0200, CL19174, CL19178	Bucknell	19 x 17	Z1224, Z1224-D, Z1231-75, Z1236-D-AL, Z1236-AL, Z1253-AL, Z1255-AL, Z1256-AL, Z1257-AL, Z1258-AL, Z1259, Z1259-SP
091-1925, 091-1935, 091-1943	Walford		Z1212
111-0355, 111-0365, 111-0377	Tacoma		Z1212-B
111-1405, 111-1413, 111-1425, 111-1505	Auburn		Z1212
161-0190	Murray	14 x 12	Z1222
161-1030, 161-1045, 161-1060, 161-1075	Correcto		Z1221, Z1222, Z1259, Z1259-SP, Z1259-2, Z259-BP

*See page 3 for alternate systems to the Zurn Recommended System.

NOTE: When ordering desired Zurn system, be sure to identify fixture to be supported by number and size.

Eljer Wall-Type Fixtures, continued

Fixture Number(s)	Fixture Name	Size(s)	*Zurn Recommended System(s)
161-1090, 161-1095	Savon		Z1221, Z1222, Z1259, Z1259-2, Z1259-SP
161-1100	Terminal		Z1221, Z1222
161-1150, 161-1160, 161-1175	Dover		Z1221, Z1222, Z1259
161-1190	Bedfordshire		Z1221, Z1222, Z1259
161-2090, 161-2095	Signature		Z1221, Z1222
162-1648 162-1660 162-1672	Hardin	4 Feet 5 Feet 6 Feet	Z1223 Z1223-1 Z1223-1
191-0510	Hastings	14¼ x 13	Z1224
191-0580	Crystal	11 x 11½	Z1224
231-0141, 231-0144	Surgeons Sink	28 x 22	Z1224-2, Z1224-2-D, Z1224-2-WS
231-0160, 231-0181, 231-0204	Andover	30 x 22	Z1236, Z1236-BS
232-2172	Blaine	4 Feet	Z1223, Z1229
232-2202	Blaine	5 Feet	Z1223, Z1229
232-2232	Blaine	6 Feet	Z1223, Z1229
242-0120, 242-0150	Rollins	22 x 18	Z1229
242-0125, 242-0155	Rollins	24 x 20	Z1229
241-0260	Judson	21½ x 19	Z1218-WS, Z1218-B-WS
241-0330, 241-0354	Radford	22 x 20	Z1236-WS

Elkay Wall-Type Fixtures

Fixture Number(s)	Fixture Name	Size(s)	*Zurn Recommended System(s)
BE-10AR	S.S. Sink Top	60 x 25	Z1224
BE-58B	S.S. Sink Top	78 x 31	Z1224
CHS-1716, CHS-1716-C	Hand Sink	16¾ x 15½	Z1224-2
EBFATL-8, LIEATL-8	Bi-Level	37⅞ x 19	Z1225-BL
EBFA-8, EBFAD, EBFS-4, EBFS-8, EBFSA-4, EBFSA-8, EIOA-8, LIEA-8, LISE-8, LISEA-8, TBFA-4, TBFA-8, TISEA-8	Water Cooler	18 ⁹ / ₁₆ x 19	Z1225, Z1259-2, Z1259-BP
LIEATL-8	Bi-Level	37⅞ x 19	Z1225-BL-D
EDF-10C, EDF-10LF	Drinking Fountain	12½ x 12	Z1224, Z1225
EDF-14C, EDF-14LF, EDFP-14C	Water Cooler	15 x 19	Z1224
EDFP-17C	W.C. Fountain	15 x 19	Z1224
EDF-18C	Fountain	12 x 22	Z1224-2
EDFC-211-C	Fountain and Cuspidor	21 x 13	Z1225
EDFP-19C	W.C. Fountain	18 x 9½	Z1224-2
EDFP-110C, EDFP-114-C, EDFPW-114-C	W.C. Fountain	15 x 19	Z1224
EDFP-117C	Wheelchair Fountain	14 x 14½	Z1224
EDFPA17C	Drinking Fountain	38½ x 19	Z1225-BL
EDFPAM-117C	Bi-Level Barrier Free	37⅞ x 19	Z1225
EDP117C	Cordley	35 x 18	Z1225
EDF-210C, EDFP-210-C	Stainless Steel Fountain	31 x 14	Z1224-2
EDFP-214C, EDFPW-214-JC	Fountain		Z1224
EDFP-217-C	Fountain	38½ x 17½	Z1225
EDFP220C*A	Drinking Fountain	37¼ x 18 ¹ / ₁₆	Z1224
EDF-310C	Stainless Steel Fountain	52 x 14	Z1224
EHF-8, EHFS-8	Water Cooler	18 x 18¼	Z1225
EHFA-8, EHFA-8	Water Cooler		Z1225
EIO-4, EIO-8	Water Cooler	19 ⁹ / ₁₆ x 19	Z1225
ELV-1817, ELV-1817-C	Water Cooler	18 x 17	Z1224-WS

*See page 3 for alternate systems to the Zurn Recommended System.

NOTE: When ordering desired Zurn system, be sure to identify fixture to be supported by number and size.

Elkay Wall-Type Fixtures, continued

Fixture Number(s)	Fixture Name	Size(s)	*Zurn Recommended System(s)
ELV-2219, ELV-2219-CS, ELV-2219LF, ELVW0-2219	Stainless Steel Lav	22 x 19	Z1224, Z1224-2, Z1224-2-75-WS
ESLV-2820	Surgeons Lav	28 x 20	Z1224-WS
ESRWC-8, ESRWC-13, ESRC-8, ESRC-13	Cooler	18 x 19½	Z1225
ESS-2520	Service Sink	25 x 19½	Z1225
ESS4924R, ESS4924RFC	Service Sink	49½ x 24	Z1225
ESW-8,13; ESWA-8, 13	Water Cooler	18 x 9½	Z1225
ESS-2118-C, ESSB-2118-C, ESSW-2118, ESSW-2118-C	Service Sink	21 x 17½	Z1224-2
ESS-2319, ESSB-2319, ESSW-2319, ESSW-2319-C	Service Sink	23 x 18½	Z1224-2
ESSW-2520, ESSW-2520-C	Service Sink	25 x 19½	Z1224-2
EU-4814, EU-4814-C	Trough Urinal	48 x 14	Z1223-2
EUH-6014	Multi-Station Urinal	5 Feet	Z1223-2
EWA-4, EWA-8, EWA-14, EWA-16, EWA-20, EWHA-8, EWHA-14, LWAE-8, LWCE-4, LWCR-8	Cooler	18 x 14½	Z1224, Z1224-D, Z1225
EWCA-4, EWCA-8, EWC-14	Elec. Cooler	18 x 14½	Z1224, Z1225
EWMA-4820-C	Sink	48 x 20	Z1224-2, Z1224-2-75-WS
EWMA-6020, EWMA-6020-C	Sink	60 x 20	Z1224-2
EWMA-7220-C, EWM-7220	Sink	72 x 20	Z1224-2
EWMA-9620	Sink	96 x 20	Z1224-2-WS
EWS-2520, EWS-2520KC, EWS-2520LF, EWS-2520K	Scrub-Up Sink	25 x 19½	Z1224-2, Z1224-2-WS
EWS3120	Scrub-Up Sink	31 x 19½	Z1224-2
EWTLA-8, EWTLA-14, EWTLA-16	Elec. Cooler	36 x 14½	Z1225, Z1259
EZ-4, EZ-8, EZS-4, EZS-8	Elec. Cooler	18¾ x 19	Z1225, Z1259-2
EZTL-8, EZSTL-8	Two-Station Cooler	36¾ x 19	Z1225-BL
EZTLR-8, EZSTLR-8	Two-Station Cooler	36¾ x 19	Z1225-BL
HEW-1, HEW-3, HEW-5	Water Cooler	15¾ x 13	Z1224
LK30-4058	Stainless Steel Sink Top	72 x 25	Z1229
LZSTL-8C	Bi-Level	36¾ x 19	Z1225-BL
WCL-1923LF WCL-1923	W.C. Lavatory	19 x 23 22 x 19	Z1224 Z1224-WS
WD-701-5, -8	Water Cooler	12 x 12	Z1224

Falcon Wall-Type Fixtures

Fixture Number(s)	Fixture Name	Size(s)	*Zurn Recommended System(s)
U1	Urinal	14½ x 12½	Z1222

*See page 3 for alternate systems to the Zurn Recommended System.

NOTE: When ordering desired Zurn system, be sure to identify fixture to be supported by number and size.

Gerber Wall-Type Fixtures

Fixture Number(s)	Fixture Name	Size(s)	*Zurn Recommended System(s)
12-314	Plymouth	19 x 17	Z1224, Z1231, Z1231-D, Z1251, Z1253, Z1254
12-384	Hayes	20 x 18	Z1224, Z1224-D, Z1231, Z1231-D, Z1251
12-454, 12-458	Monticello	20 x 18	Z1224, Z1231
12-654	Monticello II	20 x 18	Z1231-D, Z1251, Z1253, Z1254
12-464	Lavatory	20 x 27	Z1251-79
12-464, 12-468	Wheelchair	27 x 20	Z1231-79, Z1231-D-79, Z1251-79, Z1253-79, Z1254-79
27-740	Lafayette	20 x 18	Z1222
27-750	Clinton	20 x 18	Z1222
27-770, 27-775	Hamilton	20 x 18	Z1222
27-780	Monitor	20 x 18	Z1221, Z1222

Getinge-Castle Wall-Type Fixtures

Fixture Number(s)	Fixture Name	Size(s)	*Zurn Recommended System(s)
SS10-1E, SS10-1M	Surgical Scrub Sink	32 x 25	Z1229

Halsey Wall-Type Fixtures

Fixture Number(s)	Fixture Name	Size(s)	*Zurn Recommended System(s)
5904, 5905, 5905AC	Stainless Steel Fountain	10 x 10	Z1224
7020	Two-Station Drinking Fountain	31 x 14	Z1225
7120	Two-Station Barrier Free Drinking Fountain	38 x 17½	Z1224
HAC-8EE, HAC-4F, HAC-8F, HAC-8FS	Elec. Cooler		Z1225
HAC8FSTX-Q	Elec. Cooler	18 ⅙ x 18 ⅝	Z1225
HAC8BL-Q, HAC8FBL-Q, HAC8FSBL-Q, HAC8FSBLTX-Q	Bi-Level	38 ⅝ x 18 ⅝	Z1225-BL
HBW-8A, HBW-13A	Elec. Cooler	18 x 9½	Z1225, Z1259
HOWC8F-Q	Elec. Cooler	18 x 21¼	Z1225
HRFS-EBP	Cooler		Z1224
HRFS, HRFE, HT-E1, HT-S	Cooler		Z1225
HT-EBP, HT-ESBP	Barrier Free		Z1225-L2
HTESR-Q, HTSER-Q	Bi-Level	38½ x 19	Z1225-BL
HTV4-Q, HTV8-Q, HTV/LR	Water Cooler	18 ⅞ x 18 ¾	Z1225
HTV8BL-Q, HTV8BL/ LR	Bi-Level	36½ x 18 ¾	Z1225-BL
OVL-E	Fountain		Z1224
OVL-II EBP	Barrier Free		Z1225
OVL-II SEBP, OVL SEBP	Cooler		Z1224
SW-4A, SW-8A, SW-14A	Elec. Cooler		Z1225, Z1225-L2
WC-8AFQ, WC-8AFSQ	Cooler	18 x 23	Z1225
WM-8A, WM-14A, WM-16A, WM-16W	Elec. Cooler		Z1225, Z1225-L2
WM-8A-1-CB	Wall Fountain	18 ⅞ x 14¼	Z1224

*See page 3 for alternate systems to the Zurn Recommended System.

NOTE: When ordering desired Zurn system, be sure to identify fixture to be supported by number and size.

Haws Wall-Type Fixtures

Fixture Number(s)	Fixture Name	Size(s)	*Zurn Recommended System(s)
1000, 1002, 1005, 1005B	Fountain		Z1224
1010, 1011, 1119	Fountain		Z1225
1047, 1075	Wall Fountain	14 x 21	Z1224
1025, 1106, 1106BP, 1107, 1107BP, 1109, 1118, 1118BP	Wall Fountain	12 $\frac{3}{4}$ x 9 $\frac{3}{8}$	Z1225
1104, 1108, 1114	Dual Fountain		Z1225-BL
1110RF, 1112RF, 1115RB, 1115RF	W.C. Fountain		Z1225
1175	Fountain	12 x 20	Z1224
1201, 1205	Wall Fountain	14 x 13	Z1224
1300, 1301, 1302	Wall Fountain	13 $\frac{1}{4}$ x 12 $\frac{1}{2}$	Z1224
1310	Fountain	13 $\frac{1}{2}$ x 11	Z1225
1400	Wall Fountain	38 $\frac{1}{2}$ x 10	Z1224
1406, 1407	Wall Fountain	39 $\frac{1}{2}$ x 11	Z1224
1408	Wall Fountain	58 $\frac{1}{2}$ x 12	Z1224
1425	Wall Fountain	57 $\frac{1}{4}$ x 11 $\frac{1}{8}$	Z1224
1430	Wall Fountain	41 $\frac{1}{4}$ x 13	Z1224
1431	Wall Fountain	40 $\frac{3}{16}$ x 18	Z1224
1435	Wall Fountain	59 $\frac{1}{2}$ x 12 $\frac{1}{4}$	Z1224
1441	Fountain	39 $\frac{3}{8}$ x 18	Z1224
HCBF-7	Cooler	18 x 18 $\frac{1}{2}$	Z1224
HWBF-5, HWBF-8, HWBF-8ET, HWCA-8, HWCA-8D, HWCA-8ET	Fountain		Z1225
HWBFA5, HWBFA8, HWBFA8ET	Water Cooler		Z1225
HWBFA8L	Water Cooler		Z1225-BL
HWC-7, HWC7D	Fountain	18 x 18 $\frac{1}{2}$	Z1224
HC4W, HC6W, HC8WT, HC8WTH, HC14W, HC14WT, HC16WT	Fountain	18 $\frac{1}{8}$ x 14 $\frac{1}{4}$	Z1224
HWS-4, HWS-8, HWS-13	Water Cooler	14 $\frac{7}{8}$ x 14 $\frac{1}{4}$	Z1225
HWSR-8, HWSR-12	Elec. Cooler	17 $\frac{3}{8}$ x 9 $\frac{3}{8}$	Z1225
HWUAC8L	Water Cooler	36 $\frac{1}{2}$ x 18 $\frac{3}{4}$	Z1225-BL

Jewett Wall-Type Fixtures

Fixture Number(s)	Fixture Name	Size(s)	*Zurn Recommended System(s)
SR1910-30-MOD	Sink	108 x 28	Z1223-2-CU
SR1423	Sink	34 x 28	Z1225

*See page 3 for alternate systems to the Zurn Recommended System.

NOTE: When ordering desired Zurn system, be sure to identify fixture to be supported by number and size.

Just Wall-Type Fixtures

Fixture Number(s)	Fixture Name	Size(s)	*Zurn Recommended System(s)
A-18644	Stainless Steel Sink	25 x 20	Z1224-2, Z1224-2-WS
A-18666	Stainless Steel Lav	28 x 20	Z1224, Z1224-WS
A-33338	Stainless Steel Lav	20 x 18	Z1224, Z1224-WS
A-35929	Stainless Steel Sink	17 x 17	Z1224-2
A-46712	Stainless Steel Sink	49½ x 24	Z1224
A-49273	Stainless Steel Sink	42 x 20	Z1224-2-75
A-49274	Stainless Steel Sink	54 x 24	Z1224-2-75
A-49544	Stainless Steel Sink	19½ x 16	Z1224
B-21429	Stainless Steel Lav	23 x 20	Z1224, Z1236-WS
B-36033	Trough Urinal	4 Feet, 5 Feet, 6 Feet, 8 Feet	Z1223
HCL-23520	Stainless Steel Sink		Z1224
S-5944	Stainless Steel Sink	39 x 17	Z1224-75

Kohler Wall-Type Fixtures

Wall Closets:

Siphon Jet – Use Zurn Systems Z1203, Z1204, Z1208 or Z1209 (ZE - Optional).

Blow Out – Use Zurn Systems Z1203-B, Z1204-B, Z1208-B or Z1209-B (ZE - Optional).

Fixture Number(s)	Fixture Name	Size(s)	*Zurn Recommended System(s)
K-1620, K-1623	Juneau	19 x 17	Z1224, Z1224-D, Z1224-WS, Z1259, Z1259-SP
K-1728	Chesapeake	19 x 17	Z1224, Z1224-D, Z1224-WS, Z1231, Z1231-D, Z1251, Z1253, Z1259, Z1259-SP
K-1729	Chesapeake	20 x 18	Z1224, Z1224-D, Z1224-WS, Z1231, Z1231-D, Z1251, Z1253, Z1259, Z1259-SP
K-2005, K-2006, K-2007	Kingston	21 x 18	Z1224, Z1224-D, Z1224-WS, Z1231, Z1231-D, Z1231-WS, Z1251, Z1253, Z1254
K-2023, K-2025, K-2027	Greenwich	18 x 15	Z1224, Z1224-2, Z1224-D, Z1224-WS, Z1231, Z1231-WS, Z1236, Z1236-D, Z1251, Z1253, Z1254, Z1255, Z1256, Z1257, Z1258, Z1259, Z1259-SP
K-2030, K-2031, K-2032, K-2034, K-2036	Greenwich	20 x 18	Z1224, Z1224-2, Z1224-2-WS, Z1224-D, Z1224-WS, Z1231, Z1231-D, Z1231-D-WS, Z1231-WS, Z1236, Z1236-D, Z1236-D-WS, Z1251, Z1251-WS, Z1253, Z1254, Z1255, Z1256, Z1257, Z1258, Z1259, Z1259-2, Z1259-BP, Z1259-SP
K-2035	Pinoir	22 x 18	Z1224
K-2038, K-2040, K-2042, K-2044	Greenwich	24 x 20	Z1224, Z1224-2, Z1224-D, Z1224-WS, Z1231, Z1231-D, Z1231-WS, Z1236, Z1236-D, Z1236-D-WS, Z1251, Z1253, Z1254, Z1255, Z1256, Z1257, Z1258, Z1259, Z1259-SP
K-2053, K-2054	Jamestown	20 x 18	Z1231-D, Z1231-E2, Z1231-WS, Z1236, Z1236-D, Z1251, Z1253, Z1254, Z1255, Z1256, Z1257, Z1258, Z1258-75
K-2053, K-2054, K-2084	Soho	20 x 18	Z1231
K-2083	Chablis	24 x 19	Z1224
K-2144	Cabernet	22 x 18	Z1259
K-2475	Chardon	14 x 12	Z1224
K-2485	Taunton	16 x 14	Z1224, Z1224-2, Z1224-2-D
K-2705	Hampton	19 x 17	Z1224, Z1224-WS, Z1231-AL, Z1231-AL-D, Z1236, Z1255-75, Z1256, Z1257, Z1258, Z1259, Z1259-SP
K-2703 K-2705	Hampton	22 x 19 19 x 17 22 x 19	Z1224 Z1224-WS Z1236, Z1236-D, Z1255, Z1256, Z1257, Z1258, Z1259, Z1259-SP
K-02731	Taunton	16 x 14	Z1224, Z1224-2, Z1224-D, Z1259, Z1259-2, Z1259-BP, Z1259-SP
K-02753	Trailer	13 x 13	Z1224, Z1224-D, Z1259, Z1259-2
K-2766	Marston	16 x 16	Z1224-5

*See page 3 for alternate systems to the Zurn Recommended System.

NOTE: When ordering desired Zurn system, be sure to identify fixture to be supported by number and size.

Kohler Wall-Type Fixtures, continued

Fixture Number(s)	Fixture Name	Size(s)	*Zurn Recommended System(s)
K-2861, K-2863	Hudson	19 x 17	Z1224, Z1224-2, Z1224-D, Z1259, Z1259-SP
K-2849, K-2869	Hudson	20 x 18	Z1224, Z1224-2, Z1224-D, Z1224-WS, Z1224-75, Z1259, Z1259-2, Z1259-BP, Z1259-SP
K-2867, K-2868	Hudson	20 x 18	Z1224, Z1224-2, Z1224-D, Z1224-WS, Z1224-75, Z1231-AL, Z1231-D-AL, Z1236-AL, Z1237, Z1255-AL, Z1256-AL, Z1257-AL, Z1258-AL, Z1259, Z1259-2, Z1259-BP, Z1259-SP
K-3200	Brockway	3 Feet	Z1223
K-3203	Brockway	5 Feet	Z1223, Z1229
K-3204	Brockway	4 Feet-3202 6 Feet-3204 4 Feet-3202 6 Feet-3204	Z1223 Z1223 Z1229 Z1229
K-3441	Wellesley		Z1212
K-4430, K-4330, K-4432	Kingston		Z1212
K-4450	Stratton		Z1212-B
K-4460	Sifton		Z1212-B
K-4475	Suffield		Z1212-B
K-4955	T & R Kingston		Z1221, Z1222
K-4960	T & R Bardon		Z1221, Z1222
K-4970	Stanwell		Z1221, Z1222, Z1259, Z1259-2, Z1259-BP, Z1259-SP
K-4980	T & R Bardon		Z1221, Z1222, Z1259, Z1259-2, Z1259-BP, Z1259-SP
K-4985T	Freshman		Z1221, Z1221-75, Z1222, Z1222-D, Z1259
K-5007T	Derry		Z1221, Z1221-75, Z1259, Z1259-2, Z1259-BP, Z1259-SP
K-5014T, K-5016	Dexter		Z1221, Z1222, Z1222-D, Z1259, Z1259-SP, Z1259-2, Z1259-BP
K-5024T	Darfield		Z1221, Z1222, Z1259, Z1259-2, Z1259-BP, Z1259-SP
K-5055	Jarvis	3 Feet	Z1223
K-5056	Jarvis	4 Feet	Z1223
K-5058	Serra	6 Feet	Z1223-1
K-5264	Milbrook	14 x 13	Z1224, Z1224-2, Z1259, Z1259-SP
K-5293	Glenbrook	26 $\frac{3}{4}$ x 4 $\frac{1}{4}$	Z1225
K-5980	Sutton	24 x 18	Z1224, Z1229
K-5980	Sutton	30 x 20	Z1224, Z1229
K-6650, K-6652	Sudbury	22 x 20	Z1224-2, Z1236, Z1256
K-6716, K-6714, K-6718	Bannon	22 x 18	Z1224, Z1229, Z1256
K-6716, K-6718, K-6719	Bannon	24 x 20	Z1226, Z1229, Z1256
K-12634, K-12635, K-12636, K-12638	Morningside	20 x 27	Z1231-79, Z1231-79-WS, Z1231-D-79, Z1251-79, Z1252-79, Z1253-79, Z1254-79
K-12643	Greenwich	20 x 18	Z1224, Z1224-2, Z1224-D, Z1224-WS, Z1231, Z1231-D, Z1231-D-WS, Z1231-WS, Z1236, Z1236-BS, Z1236-D, Z1236-WS, Z1251, Z1253, Z1254, Z1255, Z1256, Z1257, Z1258, Z1259, Z1259-SP
K-12644	Greenwich	24 x 20	Z1224, Z1224-2, Z1224-D, Z1224-WS, Z1231, Z1231-D, Z1231-WS, Z1236, Z1236-D, Z1236-WS, Z1251, Z1253, Z1254, Z1255, Z1256, Z1257, Z1258, Z1259, Z1259-SP
K-12672, K-12674	Juneau	19 x 17	Z1224, Z1224-WS, Z1259, Z1259-SP
K-12784, K-12785	Gilford	24 x 22	Z1236, Z1236-BS, Z1236-WS
K-12781, K-12787	Gilford	30 x 22	Z1236, Z1236-BS, Z1236-WS
K-12793, K-12794	Hollister	28 x 22	Z1236, Z1236-75, Z1236-BS, Z1236-D-WS, Z1236-WS
K-12867	Camerton	25 x 21 $\frac{1}{2}$	Z1217, Z1217-WS, Z1218, Z1218-WS, Z1218-B-WS

*See page 3 for alternate systems to the Zurn Recommended System.

NOTE: When ordering desired Zurn system, be sure to identify fixture to be supported by number and size.

Mansfield Wall-Type Fixtures

Wall Closets:

Siphon Jet – Use Zurn Systems Z1203, Z1204, Z1208 or Z1209 (ZE - Optional).

Blow Out – Use Zurn Systems Z1203-B, Z1204-B, Z1208-B or Z1209-B (ZE - Optional).

Fixture Number(s)	Fixture Name	Size(s)	*Zurn Recommended System(s)
300, 330	Fairway		Z1221, Z1222
0301	Acme	19 x 17	Z1224
0302	Acme	20 x 18	Z1224, Z1231, Z1253
0303	Aztec	17 x 13	Z1224
0305	Aspen	20 x 13	Z1221
0305	Aspen	20 x 18	Z1224, Z1231, Z1251
0315	Wheelchair	27 x 20	Z1231-79, Z1231-D-79, Z1251-79, Z1253-79, Z1254-79
0375	Suburban		Z1221
0475	Suburban		Z1222
0401	Adam/Adam II		Z1221, Z1222-2
0402	Acton		Z1222
0403	Academy		Z1221, Z1222
0405	Academy		Z1221
410	Academy	18½ x 27¼	Z1222
415	Cascade II	18½ x 27¼	Z1222
1613	Spruce Cove	16 x 13	Z1224
1917C	Willow Run	19 x 17	Z1224
2018C, 2018HB	Walnut Knoll	20 x 18	Z1224, Z1224-D, Z1231, Z1231-D, Z1251, Z1253, Z1254
2018-HB-NS	High Back	22 x 18½	Z1231, Z1231-D, Z1251

Metcraft Wall-Type Fixtures

Fixture Number(s)	Fixture Name	Size(s)	*Zurn Recommended System(s)
78-3-3	Sink	78 x 31	Z1225
49 1/2-2-3	Sink	42 x 19	Z1225
515-DFL-NYBE	Drinking Fountain	18 x 19	Z1225
601 /1-3, 601 /2-3	Sink	60 x 25	Z1225

*See page 3 for alternate systems to the Zurn Recommended System.

NOTE: When ordering desired Zurn system, be sure to identify fixture to be supported by number and size.

Oasis Wall-Type Fixtures

Fixture Number(s)	Fixture Name	Size(s)	*Zurn Recommended System(s)
FLF100	Fountain		Z1259
FLF110	Fountain		Z1224
FLF130	Fountain		Z1225
FLF140PM, FLF140	Wheelchair	13 x 19	Z1224
M110FZ	Fountain	13½ x 13⅞	Z1225
M140FZ	Fountain	13½ x 19½	Z1225
ODP8WM-PE, ODP8WM-PE, ODPWWM-P, ODPWWM-PE	Wheelchair	27 ¹³ / ₁₆ x 17 ⁹ / ₁₆	Z1225
ODP5M.8M,8MH; ODP14M, 16M	Cooler	17 x 14	Z1225-BL
OPLF5M, OPLF8M, OPLF8MH, OPLF14M, OPLF16M	Cooler	17 x 14	Z1225
PAM, PAMS, P8M, P8AM, P8AMS	Versa Cooler	17 x 22	Z1225
PLF8WMEE, PLF8WMQA, PLF4WMQ, PLF8WMQ, PLF8WMD, PLF8WM, PLFWM	Wheelchair		Z1225, Z1259
PLF8SKPE, PLF8SKTP	Barrier Free		Z1225
PLF8SKPE, PLF8SKTP, PLFSKPE, PLFSKTP	Barrier Free	26 ⁹ / ₁₆ x 17 ⁹ / ₁₆	Z1225
PLF5M, PLF8M, PSF8M, PLF8MH, PLF14M, PLF14MH, PLF16M, PLFM, PLF5SM, PLF8SM, PSF8SM, PLF8SMH, PLF14SM, PLF14SMH, PLF16SM, PLFSM	Barrier Free		Z1225
PLF8WMQSL	Barrier Free		Z1225-BL
P8AC, PAC	Cooler	17 ⁹ / ₁₆ x 18 ⁹ / ₁₆	Z1225
P8ACSL, PACSL	Cooler		Z1225-BL
P8AMSL,EE; PF8MSL	Bi-Level	35 x 18½	Z1225-BL
RDF-110, RDF-140	Fountain	14½ x 14	Z1225

Skytron Wall-Type Fixtures

Fixture Number(s)	Fixture Name	Size(s)	*Zurn Recommended System(s)
Double Station	Scrub Sink	64 x 27	Z1225

Sloan Wall-Type Fixtures

Fixture Number(s)	Fixture Name	Size(s)	*Zurn Recommended System(s)
ESS-2100	Single Scrub Sink	30 x 21½	Z1225
ESS-2200	Double Scrub Sink	60 x 23	Z1225

*See page 3 for alternate systems to the Zurn Recommended System.

NOTE: When ordering desired Zurn system, be sure to identify fixture to be supported by number and size.

Sunroc Wall-Type Fixtures

Fixture Number(s)	Fixture Name	Size(s)	*Zurn Recommended System(s)
ADA-8N, ADA-8NP	Barrier Free	19 x 18 $\frac{1}{2}$	Z1225
ADA-8-BLN, ADA-8-BLNP	Barrier Free	38 x 18 $\frac{1}{2}$	Z1225-BL
CSW-4, CSW-8, CSW-13, CSW-14	Elec. Cooler	14 $\frac{7}{8}$ x 14 $\frac{7}{8}$	Z1225
HCWC-8, HCWC-8C	Elec. Cooler	17 $\frac{3}{8}$ x 26	Z1225, Z1259
NSW-1B, NSW-2B	Elec. Cooler	14 $\frac{7}{8}$ x 14 $\frac{7}{8}$	Z1225, Z1259
NSW-5, NSW-8, NSW-10, NSW-13, NSW-14, NSW-16	Elec. Cooler	14 $\frac{7}{8}$ x 14 $\frac{7}{8}$	Z1225, Z1259
NWC-5, NWC-8, NWC-5-ET, NWC-8-ET	Cooler	17 x 18	Z1225
NWCA-5, NWCA-8, NWCA-5-ET, NWCA-8-ET, NWCA-LR, NWCA-5-BL, NWCA-8-BL, NWCA-5-E-BL, NWCA-8-E-BL, NWCA-LR-BL	Cooler	17 x 18	Z1225, Z1225-D, Z1225-BL
PSR-8, 12	Water Cooler		Z1225
SF-3200, SF-3210, SF-3255, SF-3300, SF-3400, SF-3470, SF-4000	Wheelchair	11 x 18	Z1225, Z1225-D
SF-3600, SF-3700	Dual Fountain		Z1225-BL
SF-4100, SF-4110, SF-4122, SF-4155	Fountain		Z1225
SF-7040	Wall Fountain	14 x 13	Z1224
SF-7080	Wall Fountain	14 x 21	Z1224
SF-7240, SF-7245	Cooler	39 $\frac{3}{8}$ x 18	Z1224
SF-7300, SF-7325	Cooler		Z1223
SF-7500, SF-7550, SF-7565	Cooler	12 x 12	Z1222, Z1259-2

Toto Wall-Type Fixtures

Fixture Number(s)	Fixture Name	Size(s)	*Zurn Recommended System(s)
UT104, UT104V	Urinal	18 x 27	Z1222
UT447, UT447V	Urinal	18 x 17	Z1221
UT447, UT447V	Urinal	18 x 27	Z1222
LT307.4	Lavatory	27 x 19	Z1231, Z1251
LT308, LT308.4, LT308.11	Lavatory	23 x 29	Z1231-79

*See page 3 for alternate systems to the Zurn Recommended System.

NOTE: When ordering desired Zurn system, be sure to identify fixture to be supported by number and size.

Universal Rundle Wall-Type Fixtures

Wall Closets:

Siphon Jet – Use Zurn Systems Z1203, Z1204, Z1208 or Z1209 (ZE - Optional).

Blow Out – Use Zurn Systems Z1203-B, Z1204-B, Z1208-B or Z1209-B (ZE - Optional).

Fixture Number(s)	Fixture Name	Size(s)	*Zurn Recommended System(s)
4551, 4556	Convoy	15 x 12	Z1224
4642, 4643	Clayton		Z1231, Z1251
4646	New Camden	18 x 15	Z1224
4648, 4649	New Camden	20 x 18	Z1224, Z1231, Z1231-D, Z1251, Z1253, Z1254, Z1259
4656	New Colleen	19 x 17	Z1224
4658, 4659	New Colleen	20 x 18	Z1231, Z1231-D, Z1251, Z1253
4682, 4683	Wheelchair	20 x 27 $\frac{3}{4}$	Z1231-79, Z1251-79, Z1253-79
4698	New Campus	20 x 18	Z1231, Z1231-D, Z1253
4980	Mini Celtic		Z1221, Z1222
4981	Colby		Z1221, Z1222
4984	Celtic II		Z1221, Z1222
4986	Celtic		Z1221
4987	Chawdler		Z1222
4988	Concord		Z1222
4989	Celtic		Z1221, Z1222
4990	Colburn		Z1221, Z1222
4991, 4993	New Colby		Z1221, Z1222
4998, 4999	Challenge II		Z1221, Z1222

Willoughby Wall-Type Fixtures

Fixture Number(s)	Fixture Name	Size(s)	*Zurn Recommended System(s)
ES-1015	Lavatory	18 x 18	Z1225
HS-1013-46	Lavatory	18 x 13 $\frac{1}{4}$	Z1225
HS-1013-46-HC	Lavatory	18 x 18	Z1225
WAW-2322, WAW-2322-LP	Aquawave	54 x 22	Z1225
WAF-3301	Lavatory	26 x 36	Z1225
WAF-4401	Lavatory	26 x 46	Z1225

*See page 3 for alternate systems to the Zurn Recommended System.

NOTE: When ordering desired Zurn system, be sure to identify fixture to be supported by number and size.

Zurn Commercial Fixtures Wall-Type Fixtures

Fixture Number(s)	Fixture Name	Size(s)	*Zurn Recommended System(s)
Z5311, Z5314, Z5318	Lavatory	20 x 18	Z1231-EZ, Z1236
Z5331, Z5334, Z5338, Z5339	ADA Lavatory	20¼ x 27	Z1231-79, Z1251-79, Z1253-79, Z1254-79
Z5341, Z5344, Z5348	Lavatory	21 x 18	Z1224, Z1231, Z1251, Z1253, Z1254, Z1259, Z1259-D, Z1259-SP
Z5351, Z5354, Z5358	Lavatory	20 x 17	Z1224, Z1259, Z1259-D, Z1259-SP
Z5410, Z5410-RG	Service Sink	19 x 21½	Z1217-B, Z1218-B
Z5430, Z5438	Service Sink	22 x 20	Z1229
Z5461, Z5468	Surgeon Sink	28 x 22	Z1224-2
Z5470, Z5471, Z5478	Clinical Sink	30 x 22	Z1229
Z5610, Z5610-BL, Z5620, Z5620-BL	Water Closet	15 x 25¼	Z1203, Z1204, Z1207, Z1208, Z1209, Z1212, Z1280, Z1282, Z1283, Z1284, Z1285
Z5630	Water Closet	15 x 30½	Z1212-F
Z5640	Water Closet	14⅝ x 32	Z1212-F
Z5710	Urinal	13 x 14½	Z1221, Z1222, Z1259, Z1259-BP, Z1259-D, Z1259-DB, Z1259-SP, Z1259-2
Z5730	Urinal	15 x 15¼	Z1221, Z1222, Z1259, Z1259-BP, Z1259-D, Z1259-DB, Z1259-SP, Z1259-2
Z5740	Urinal	13 x 14½	Z1221, Z1222, Z1259, Z1259-BP, Z1259-D, Z1259-DB, Z1259-SP, Z1259-2
Z5750, Z5760	Urinal	18½ x 14¼	Z1221, Z1222, Z1259, Z1259-BP, Z1259-D, Z1259-DB, Z1259-SP, Z1259-2
Z5770, Z5780	Urinal	18 x 12½	Z1221, Z1222, Z1259, Z1259-BP, Z1259-D, Z1259-DB, Z1259-SP, Z1259-2
Z5844, Z5848	Lavatory	20 x 18	Z1224
Z5844-L, Z5848-L	Lavatory	20 x 18	Z1224, Z1231-AL
Z5880, Z5888	Cast Iron Service Sink	22 x 18	Z1229
Z5890, Z5898	Cast Iron Service Sink	24 x 20	Z1229

*See page 3 for alternate systems to the Zurn Recommended System.

NOTE: When ordering desired Zurn system, be sure to identify fixture to be supported by number and size.



ZURN INDUSTRIES, LLC SPECIFICATION DRAINAGE OPERATION
 1801 PITTSBURGH AVENUE, ERIE, PA, U.S.A. 165102
 PHONE: 855-ONE-ZURN (855-663-9876) FAX: 814-454-7929 www.zurn.com

In Canada:
ZURN INDUSTRIES LIMITED
 3544 NASHUA DRIVE, MISSISSAUGA, ONTARIO L4V 1L2
 PHONE: 905-405-8272 FAX: 905-405-1292