

## ZS880 Linear Shower Drain



### Innovative

- Patent pending frame and grate features allow effortless height and level adjustment, reducing pooling
- Barrier-free installation creates accessibility and freedom in applications requiring ADA compliance
- Performance engineered channel promotes superior water evacuation

### Labor Saving

- Integral tiling edge reduces installation time while protecting flooring from damage
- Adjustable anchoring feet provide stability before and during the concrete pour
- Integral flange allows hassle-free membrane attachment
- Type 304 stainless steel construction provides corrosion resistance, durability, and low maintenance

### Versatile

- Extensive grating design and decorative finish options enhance aesthetic appeal
- Low-profile design allows installation in 2" over pour
- Customization available to suit an array of project needs



**ZURN INDUSTRIES, LLC**  
1801 Pittsburgh Avenue, Erie PA 16502,  
1-855-663-9876

*In Canada:*  
**ZURN INDUSTRIES LIMITED**  
3544 Nashua Drive, Mississauga, Ontario L4V 1L2,  
905-405-8272

1.855.ONE.ZURN  
[www.zurn.com](http://www.zurn.com)

Form No. ZMKTG220-43, Rev. 03/16



## ZS880 Stainless Steel Linear Shower Drain

Residential • Healthcare • Hospitality



## ZS880 Grates

Discover how easy it can be to create a barrier-free shower enclosure that delivers reliable performance and architectural design. The ZS880 eliminates the need to slope the finished flooring in multiple directions, allowing drainage of a substantially larger floor surface area than traditional shower drains. Instead, pitch the floor in one direction towards the linear shower drain, and finish the job in record time.

A beautiful installation has never been so simple.



## Fully Adjustable



Remove grate



Loosen locking screws

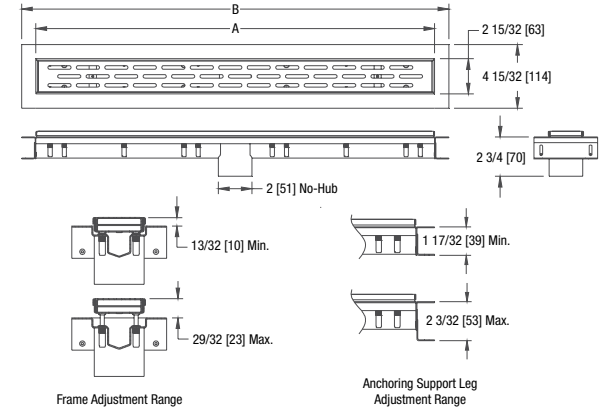


Adjust height and level



Tighten screws and secure grate

## ZS880 Technical Information



**ENGINEERING SPECIFICATION:** ZS880 All Type 304 (CF8) Fabricated Stainless Steel Linear Shower Drain. Complete with vertically adjustable anchoring support legs, anti-ponding V-shaped channel with 2 [51] No-Hub center outlet, adjustable secured leveling frame with built-in tile edge, and secured, light-duty, slotted heel-proof grate. Drain is designed for installation in a minimum 2 [51] concrete pour and can be adjusted to accommodate 1/4 [6] and 3/8 [10] finished tile thicknesses.

Product Designation	A	B	Approximate Weight Lbs. [kg]	Grate Open Area Sq. In. [cm <sup>2</sup> ]
-12	12 [305]	14 [356]	2.9 [1.3]	6 [38]
-28	28 [711]	30 [762]	5.4 [2.5]	15 [97]
-32	32 [813]	34 [864]	5.9 [2.7]	18 [116]
-36	36 [914]	38 [965]	6.4 [2.9]	20 [129]
-40	40 [1016]	42 [1069]	7.2 [3.3]	22 [142]
-48	48 [1219]	50 [1270]	8.4 [3.8]	27 [174]
-60	60 [1524]	62 [1575]	10.3 [4.7]	34 [219]

Dimensions in inches [mm]

### PREFIXES

- ZS** All Type 304 (CF8) Stainless Steel\*
- ZR** All Type 304 (CF8) Stainless Steel with Oil-Rubbed Bronze Finish

### SUFFIXES

- 2** Two Bottom Outlets (Size – 2 [51] No-Hub, not available on Size -12)
- 3** Three Bottom Outlets (Size – 2 [51] No-Hub, not available on Size -12)
- C45** 45 Degree Connector
- C90** 90 Degree Connector
- CS** Straight Connector
- EO** End Bottom Outlet (Size – 2 [51] No-Hub, not available on Size -12)
- FS** Outlet Filter Screen
- LB** Lower Drain Body

### GRATE OPTIONS

- BW** Basket Weave Grate
- DB** Decorative Block Grate
- SG** Serenity Grate
- TG** Tile Inlay Grate
- WG** Wave Grate

\*Regularly furnished unless otherwise specified

## Typical Installation Cutaway

