

ZURN® Linear Drainage



ZF806/ZF812 Pre-Sloped Fiberglass

Industrial Drainage Solutions

Heavy-Duty Performance Drainage System

Innovation

- Innovative Z-Frame transfers load directly to the concrete
- Proprietary vinylester resin provides self-extinguishing fire protection and advanced chemical resistance
- Optimized system design withstands temperatures up to 210° F

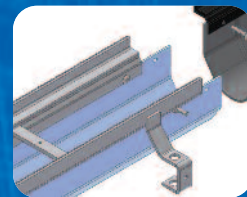
Labor

- Save up to 75% installation time compared to cast-in-place systems while maintaining structural integrity
- Longer, lightweight pieces allow for lower job site inventory, ease of system alignment, and reduced worker fatigue
- Integral rebar clips for elevation set and final adjustment
- Easy to clean with no specialized tools needed

Versatility

- Factory installed sidewalls for longer runs and increased hydraulic capabilities
- Appropriate for applications requiring loading from DIN EN-1433 pedestrian Class A to 200,000 lb wheel-loading Class F, including FAA, ADA, H-20 and USA compliant options

System Highlights



Heavy-Duty Frame



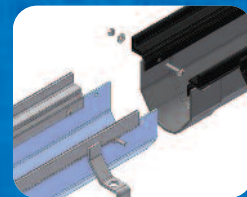
Integral Rebar Clips



Factory Fabrications



Termination Fittings

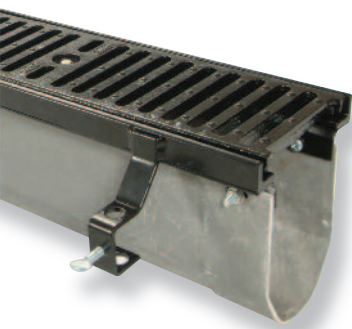


Mechanical Interlocking Connection

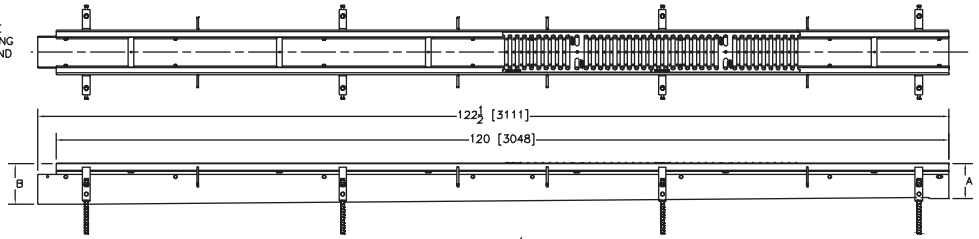
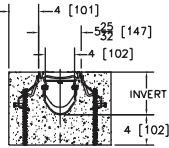


System Accessories

Zurn Fiberglass 6" Wide Linear Drainage System



SPECIFYING ENGINEER IS RESPONSIBLE FOR CONCRETE ENCASEMENT AND REINFORCING BASED UPON APPLICATION AND LOCAL CODES.



NOTE: +Actual Channel length is 122 [3112] to allow overlap.

ENGINEERING SPECIFICATION: Zurn ZF806 Channels shall be 120" long, 6" wide and have a 4" throat. Modular channel sections shall be made of Fiber Reinforced Polymer (FRP). Shall have a positive mechanical connection between channel sections that will not separate during the installation. Channels shall weigh less than 2.31 lbs.[1.05kg] per linear foot, have a smooth, 1-1/2" radiused self cleaning bottom with a Manning's coefficient of .009 and .75% or neutral 0% built in slope. Shall be provided with standard DGC grates that lock down to frame. Zurn 6" wide reveal Ductile Iron Slotted Grate conforming to ASTM specification A536, Grade 80-55-06. Ductile Iron grate is rated class C per the DIN EN1433 top load classifications. Supplied in 20" nominal lengths with 1/2" wide slots, and 3/4" bearing depth. Grate has an open area of 28.6 sq. in per ft. [60,521 sq. mm per meter]. The #10 gage thick Heavy-Duty Carbon Steel Frame Assembly conforms to ASTM specification A36. Frames shall mechanically lock into the concrete surround at a maximum spacing of every 20" with 16 concrete anchors per 120". Frames shall have rebar attachment brackets as standard to secure trench in its final location. Grate lockdown bars are to be integral to the frame. The frame is supplied with a powder coated finish. All welds must be performed by a certified welder per ASTM standard AWS D1.1. Frames and Channels shall be produced in the U.S.A.

ACCESSORIES and FINISHES

Grate Options (Load Classifications are per DIN EN1433)

- AWG Aluminum Wire Grate - Class A (USA Only)
- BDC Black Acid Resistant Epoxy Coated Ductile Grate - Class C
- BDE Black Acid Resistant Epoxy Coated Ductile Grate - Class E (USA Available)
- BG Galvanized Ductile Iron Cast Bar Grate - Class C
- DC Ductile Iron Solid Cover - Class C
- DBG Ductile Iron Cast Bar Grate - Class C
- DGC Ductile Iron Slotted Grate - Class C* (USA Available)
- DGE Ductile Iron Slotted Grate - Class E (USA Available)
- FG Fabricated Galvanized Steel Slotted Grate - Class A (USA Only)
- FS Fabricated Stainless Steel Slotted Grate - Class A (USA Only)
- GDC Galvanized Ductile Slotted Grate - Class C (USA Available)
- GDE Galvanized Ductile Slotted Grate - Class E (USA Available)
- GHPD Galvanized Heel-Proof Ductile Grate - Class C
- GHPDE Galvanized Heel-Proof Ductile Grate - Class E
- HPD Heel-Proof Ductile Slotted Grate - Class C
- HPDE Heel-Proof Ductile Slotted Grate - Class E
- HPP Heel-Proof Polyethylene Grate - Class A
- LD Ductile Iron Longitudinal Slotted Grate - Class B
- PG Perforated Galvanized Steel Grate - Class A (USA Only)
- PS Perforated Stainless Steel Grate - Class A (USA Only)
- PPC Plastic Perforated Grate - Class C (USA Only)
- RFG Reinforced Galvanized Steel Slotted Grate - Class B
- RFS Reinforced Stainless Steel Slotted Grate - Class B
- RPG Reinforced Galvanized Perforated Grate - Class B
- RPS Reinforced Stainless Steel Perforated Grate - Class B

SUFFIX OPTIONS

Outlet Adapters

- E1 Closed End Cap
- E2 2" No-Hub End Outlet
- E3 3" No-Hub End Outlet
- E4 4" No-Hub End Outlet
- E6 6" No-Hub End Outlet
- U2 2" No-Hub Bottom Outlet
- U3 3" No-Hub Bottom Outlet
- U4 4" No-Hub Bottom Outlet
- U6 6" No-Hub Bottom Outlet

Miscellaneous Options

- DB Bottom Dome Strainer
- JC Joint Connector
- SW Sidewall Extension - 11-1/4" High
- VP Vandal-Proof Lockdown

Trench No.	Dimension in Inches		Flow Rate*		
	'A' Shallow Inv.	'B' Deep Inv.	(cfs)	(gpm)	(lps)
1002	4.75	5.65	.326	146	9
1002N	5.65	5.65			
1003	5.65	6.55	.427	192	12
1004	6.55	7.45	.530	238	15
1004N	7.45	7.45			
1005	7.45	8.35	.635	285	18
1006	8.35	9.25	.740	332	21
1007	9.25	10.15	.845	379	24
1008	10.15	11.05	.951	427	27
1008N	11.05	11.05			
1009	11.05	11.95	1.058	475	30
1010	11.95	12.85	1.164	523	33

*Adding sidewalls increases flow capacity.

Decorative Grate Options (Load Classifications are per DIN EN1433)

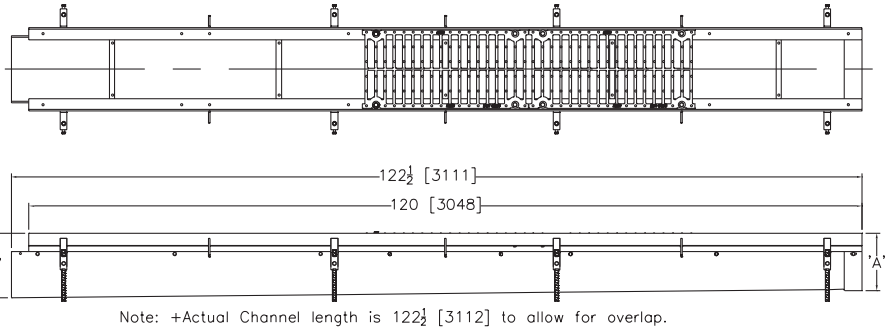
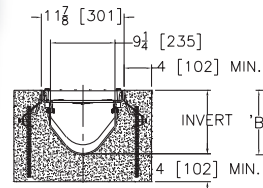
- BCD Bronze Circular Decorative Grate - Class A
- BDD Bronze Diagonal Decorative Grate - Class A
- BZ Bronze Decorative Grate - Class A (USA Only)
- DCD Ductile Iron Circular Decorative Grate - Class C
- DDD Ductile Iron Diagonal Decorative Grate - Class A
- DOG Ductile Iron Decorative Grate - Class A
- DWV Ductile Wave Decorative Grate - Class A
- HPB Heel-Proof Bronze Slotted Grate - Class A
- HPS Heel-Proof Stainless Steel Slotted Grate - Class A
- NBZ Nickel Bronze Decorative Grate - Class A (USA Only)
- PSR Perforated Stainless Steel Raised Grate - Class A (USA Only)
- SBG Stainless Steel Bar Grate - Class E
- SCD Stainless Steel Circular Decorative Grate - Class B
- SDD Stainless Steel Diagonal Decorative Grate - Class B
- SOG Stainless Steel Decorative Grate - Class B
- SWG Stainless Steel Wire Grate - Class A (USA Only)

*REGULARLY FURNISHED UNLESS OTHERWISE SPECIFIED

Zurn Fiberglass 12" Wide Linear Drainage System



SPECIFYING ENGINEER IS RESPONSIBLE FOR CONCRETE ENCASEMENT AND REINFORCING BASED UPON APPLICATION AND LOCAL CODES.



ENGINEERING SPECIFICATION: Zurn ZF812 Channels shall be 120" long, 12" wide reveal and have a 9-1/4" throat. Modular channel sections shall be made of Fiber Reinforced Polymer (FRP). Shall have a positive mechanical connection between channel sections that will not separate during the installation. Channels shall weigh less than 5.05 lbs. [2.29kg] per linear foot, have a smooth, 3" radiused self cleaning bottom with a Manning's coefficient of .009 and 1.04% or neutral 0% built in slope. Shall be provided with standard DGC grates that lock down to frame. Zurn 12" wide reveal Ductile Iron Slotted Grate conforming to ASTM specification A536, Grade 80-55-06. Ductile Iron grate is rated class C per the DIN EN 1433 top load classifications. Supplied in 24" nominal lengths with 13/16" wide slots, and 1-1/2" bearing depth. Grate has an open area of 81.1 sq. in. per ft. [171,618 sq. mm per meter]. The #7 gage thick Heavy-Duty Carbon Steel Frame Assembly conforms to ASTM specification A36. Frames shall mechanically lock into the concrete surround at a maximum spacing of every 21" with 14 anchors per 120". Frames shall have rebar attachment brackets as standard to secure trench to its final location. Grate lockdown bars are to be integral to the frame. The frame is supplied with a powder coated finish. All welds must be performed by a certified welder per ASTM standard AWS D1.1. Frames and Channels shall be produced in the U.S.A.

ACCESSORIES and FINISHES

Frame Options

-CWF White Acid Resistant Coated Top Frame

Grate Options (Load Classifications are per DIN EN1433)

- ADA** Meets Americans with Disabilities Act Requirements - Class C (USA Only)
- BG** Galvanized Steel Bar Grate - Class D
- DC** Ductile Iron Solid Cover - Class C
- DGC** Ductile Iron Slotted Grate - Class C* (USA Available)
- DGE** Ductile Iron Slotted Grate - Class E (USA Available)
- DGF** Ductile Iron Slotted Grate - Class F
- FG** Fabricated Galvanized Steel Slotted Grate - Class A (USA Only)
- FS** Fabricated Stainless Steel Slotted Grate - Class A (USA Only)
- GADA** Galvanized Ductile ADA Slotted Grate - Class C (USA Only)
- GDC** Galvanized Ductile Slotted Grate - Class C (USA Available)
- GDE** Galvanized Ductile Slotted Grate - Class E (USA Available)
- GDF** Galvanized Ductile Slotted Grate - Class F
- GG** Fiberglass Grate - Class A
- GHPDE** Galvanized Heel-Proof Ductile Slotted Grate - Class E
- HPD** Heel-Proof Ductile Slotted Grate - Class C
- HPDE** Heel-Proof Ductile Slotted Grate - Class E
- PG** Perforated Galvanized Steel Grate - Class A (USA Only)
- PS** Perforated Stainless Steel Grate - Class A (USA Only)
- RFG** Reinforced Galvanized Slotted Grate - Class B (USA Only)
- RFS** Reinforced Stainless Steel Slotted Grate - Class B (USA Only)
- RPG** Reinforced Galvanized Perforated Grate - Class B (USA Only)
- RPS** Reinforced Stainless Steel Perforated Grate - Class B (USA Only)
- SBG-L** Stainless Steel Bar Grate - Class B (USA Only)

SUFFIX OPTIONS

Outlet Adapters

- E1** Closed End Cap
- E4** 4" No-Hub End Outlet
- E6** 6" No-Hub End Outlet
- E8** 8" No-Hub End Outlet
- U4** 4" No-Hub Bottom Outlet
- U6** 6" No-Hub Bottom Outlet
- U8** 8" No-Hub Bottom Outlet

*REGULARLY FURNISHED UNLESS OTHERWISE SPECIFIED

ZF806 and ZF812 COMMON APPLICATIONS

- Highways • Driveways • Kitchens • Pools • Parking Lots • Gas Stations
- Airports • Hangers • Industrial Parks • Chemical Plants • Food Processing
- Shopping Malls • Industrial Plants • Pharmaceuticals • Amusement Parks

Trench No.	Dimension in Inches		Flow Rate*		
	'A' Shallow Inv.	'B' Deep Inv.	(cfs)	(gpm)	(lps)
			2002	7.93	9.18
2002N	9.18	9.18			
2003	9.18	10.43	2.730	1225	77
2004	10.43	11.68	3.388	1521	96
2004N	11.68	11.68			
2005	11.68	12.93	4.058	1821	115
2006	12.93	14.18	4.736	2125	134
2007	14.18	15.43	5.420	2432	153
2008	15.43	16.68	6.109	2742	173
2008N	16.68	16.68			
2009	16.68	17.93	6.802	3053	193
2010	17.93	19.18	7.498	3365	212

*Adding sidewalls increases flow capacity.

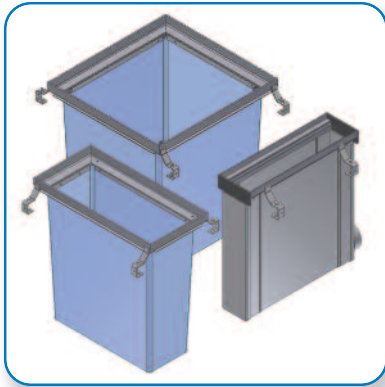
Miscellaneous Options

- DB** Bottom Dome Strainer
- JC** Joint Connector
- SW** Sidewall Extensions - 11-1/4" High
- VP** Vandal-Proof Lockdown



□ Zurn Fiberglass Linear Drainage Accessories

Catch Basins



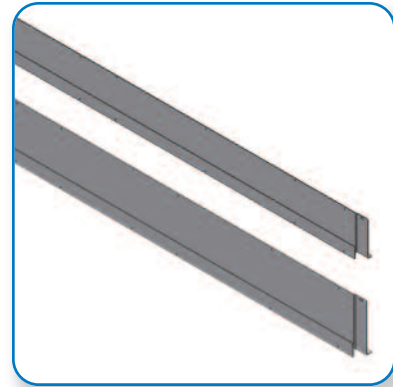
Zurn Z817 Catch Basins available in 6" X 20", 12" X 24" and 24" X 24" for in-line sump applications. Available in polyester or vinylester fiberglass.

Sediment Buckets



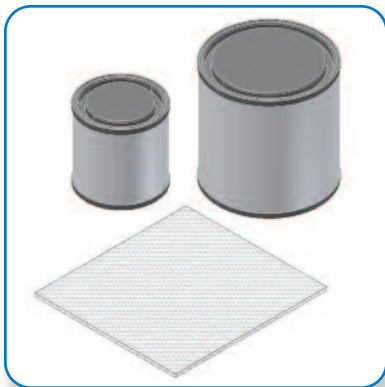
Zurn sediment buckets and in-line strainer screens prevent solids from entering waste lines, preventing clogs. Designated by -DB or -Y

Sidewall Extensions



Factory installed sidewall extensions (-SW) allow longer, deeper runs up to 270 ft.

Fiberglass Joint Sealer/Repair Kit



Zurn optional fiberglass joint sealer/repair kit allows installer to seal section joints and produce smooth transitions.

Cleanout Shovel



Zurn trench cleanout shovels for use in heavy sediment laden applications to simplify debris removal.



ZURN INDUSTRIES, LLC FLO-THRU OPERATION
1801 PITTSBURGH AVENUE, ERIE, PA, U.S.A. 16502, PHONE: 814/455-0921, FAX: 814/454-7929
In Canada: **ZURN INDUSTRIES LIMITED**
3544 NASHUA DRIVE, MISSISSAUGA, ONTARIO L4V 1L2, PHONE: 905/405-8272, FAX: 905/405-1292

zurn.com

Form No. ZMKTG220-01, 2/12