



# Zurn Wilkins 300ASTR Series

## Backflow Preventer Order Form

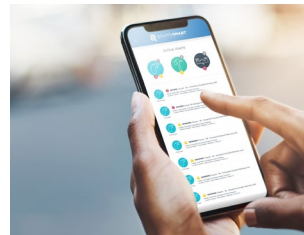


US Patent No. 8,997,772 & 10,914,391 & Patent Pending

Save time and money during backflow replacement with custom-length assembly.

### Features and Benefits

- 300ASTR drop-in assembly drastically reduces installation time and building's water downtime, making it the ideal solution for retrofit and replacement installations
- Proven performance and effective repair kits ensure lowest maintenance and repair costs over entire lifecycle
- Shutoffs remain in the same location as previous installation, enabling tamper switches to be reinstalled on OS&Y shutoffs without modifying electrical wiring
- Completely assembled and shipped system with custom-length AR spool eliminates field cutting and spool assembly
- Measure and submit the current flange face-to-face dimension and your 300ASTR will be built to match the current footprint\*
- 48-hour shipment from any of Zurn's 5 regional service centers speeds delivery and maximizes uptime
- Fully compliant design is approved by the Foundation for Cross Connection Control and Hydraulic Research at USC



### Get Connected Now With This 300ASTR Order and the Zurn Connected Pressure Monitor (ZCSM-PF)

The Zurn Connected Pressure Monitor allows you to remotely monitor your water pressure. Simply, set high- and low-pressure thresholds for real-time alerts through our secure web portal, plumbSMART™. Attaches easily into any backflow preventer test cock.

#### System Offers:

- Proactive incoming water pressure monitoring
- Real-time alerts for preset high and low pressure

#### plumbSMART Delivers:

- Real-time pressure alerts update you on the water pressure from the city based on your thresholds
- Data trends on high, low, and average pressure help you identify and troubleshoot potential issues
- 24/7 remote monitoring and alerts keep you in control

\*Assemblies manufactured within +0/-1/4" tolerance of stated length

# Zurn Wilkins 300ASTR Series Backflow Preventer Order Form

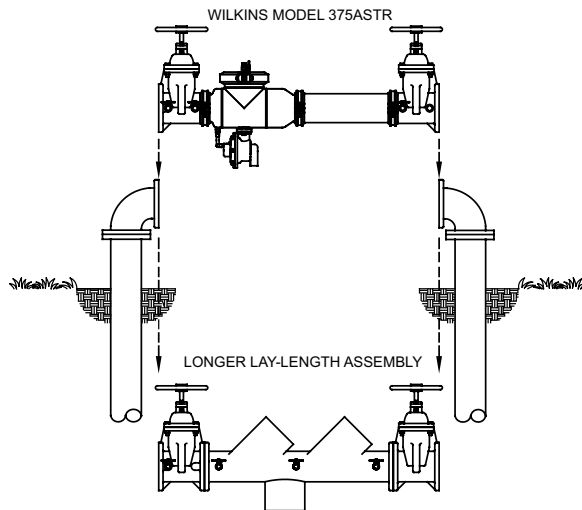
Email this Order Form with the Purchase Order to: Zurn Wilkins Customer Care, email: wilkinscs@zurn.com. Order form should also be attached to sales order in Axapta.

Part #
--------

<b>FACE TO FACE DIMENSIONS</b>
Face-to-face dimension (exact field measurement, $\pm 1/16"$ ) of the existing backflow preventer, including shutoffs (see image to the right)*
Face to Face Dimension

Assemblies manufactured within  $+0" / -1/4"$  tolerance of stated length.  
Use  $1/8"$  full-face rubber gaskets to make up tolerance gap. Measure twice, cut once.

<b>OTHER DETAILS</b>



VALVE SIZE	MINIMUM FACE TO FACE DIMENSIONS (OVERALL LAY LENGTH)		MAXIMUM LENGTHS
	STAINLESS STEEL BODY*		
	GATE VALVES	BUTTERFLY VALVES	
2-1/2"	34"	31"	47-1/8"
3"	35"	31-1/2"	48-1/8"
4"	37-3/8"	32-5/8"	62-1/4"
6"	46"	39"	71-1/4"
8"	55-3/4"	48-3/4"	86"
10"	58-5/8"	52-5/8"	100-5/8"

Custom lengths longer than shown are available.

\*If ordered as a single part number including ancillary equipment such as wye strainers, the face-to-face length will be inclusive of that ancillary equipment. However, the components may ship separately.

<b>OPTIONAL</b>
Contractor Firm
Contractor Contact
Sales Order #
Rep Agency
Rep Contact
PO #

<b>ORDER INFORMATION</b>		
	Stainless Steel Body Standard Valve	Stainless Steel Detector Assembly
Double Check	350ASTR	350ASTDAR
Reduced Pressure	375ASTR	375ASTDAR

Size	2-1/2"	3"	4"	6"	8"	10"
------	--------	----	----	----	----	-----

Inlet Gate Valve	NRS	OS&Y	Butterfly	PI
Outlet Gate Valve	NRS	OS&Y	Butterfly	PI
Inlet End Connection	Flanged		Grooved	
Outlet End Connection	Flanged		Grooved	

<b>GET CONNECTED NOW</b>
<b>ZURN CONNECTED PRESSURE MONITOR</b>
Yes, I would like to connect my backflow with the Zurn Connected Pressure Monitor If Yes, you must complete Gateway information below.

<b>GATEWAY</b>	
Is there already a Zurn Gateway installed within 1000 feet of the location this product will be installed?	
Yes, I already have a gateway	No, I need a gateway
If gateway needed, then please select preferred mode of data transmission:	
Ethernet (ZGW-LORA-WI-ETH)	LTE cellular (ZGW-LORA-WI-LTE)

Contact person at site to verify gateway connectivity selection and/or cellular signal strength:	
Name	Phone #

<b>Shipping details</b>
Zurn gateway shipped to same location (ships UPS)