

**Choose The Product That Is Right For Your Applications.
Either A Complete Valve Or Kits To Upgrade Your Existing Flush Valve.**

All RetroFlush Valves Feature The Following:



- **Enhanced Performance**
- **Chemical Resistant**
- **Clog-Resistant By-Pass**
- **Interchangeability**

Zurn Z6000AV Model flush valves feature the chemical and clog resistant revolutionary by-pass diaphragm kit. The diaphragm kit is designed to eliminate the common problems that are associated with flush valve installations such as fixture evacuation, run-on, degradation of rubber components, and sediment. The chemical and clog resistant by-pass kit now makes these problems a thing of the past. It provides for greater performance, ensures reliability, and greatly extends the operating life of the internal components.

Zurn ZR RetroFlush Series Flush Valves



ZR6000AV	Sensor Flush Valve With Override Button For Water Closet (3.5 gallon)
ZR6000AV-WS1	Sensor Flush Valve With Override Button For Water Closet (1.6 gallon)
ZR6000AV-2	Sensor Flush Valve With Override Button For Water Closet (3.5 gallon)
ZR6000AV-3	Sensor Flush Valve With Override Button For Water Closet (3.5 gallon)
ZR6000AV-BW	Sensor Flush Valve With Override Button For Water Closet (3.5 gallon)



Zurn ZRK Retroflush Kits

with chrome metal housing retrofits to Zurn and Sloan Royal® and Regal® flush valves

ZRK-C-1.6	Sensor Kit For Water Closet (1.6 gallon)
ZRK-C-3.5	Sensor Kit For Water Closet (3.5 gallon)
ZRK-C-4.5	Sensor Kit For Water Closet (4.5 gallon)
ZRK-U-1.0	Sensor Kit For Urinal (1.0 gallon)
ZRK-U-1.5	Sensor Kit For Urinal (1.5 gallon)
ZRK-U-3.0	Sensor Kit For Urinal (3.0 gallon)



ZR6001AV	Sensor Flush Valve With Override Button For Urinal (3.0 gallon)
ZR6001AV-WS	Sensor Flush Valve With Override Button For Urinal (1.5 gallon)
ZR6001AV-WS1	Sensor Flush Valve With Override Button For Urinal (1.0 gallon)
ZR6003AV	Sensor Flush Valve With Override Button For Urinal (1.5 gallon)
ZR6003AV-WS1	Sensor Flush Valve With Override Button For Urinal (1.0 gallon)



In the U.S.A.:
ZURN INDUSTRIES, INC. COMMERCIAL BRASS OPERATION
 5900 ELWIN BUCHANAN DRIVE • SANFORD, NC, U.S.A. 27330
 PHONE: 1-800-997-3876 • FAX: 919/775-3541
 WEBSITE: www.zurn.com

In Canada:
ZURN INDUSTRIES LIMITED
 3544 NASHUA DRIVE • MISSISSAUGA, ONTARIO L4V 1L2
 PHONE: 905/405-8272 • FAX: 905/405-1292



RetroFlush® Retrofit Kits and Features

Aquasense Battery
 Powered Flush
 Valves/Retrofit Kits

Fixture Type	Gallons Per Flush	Retrofit Model Number
Full Flow Water Closet	4.5	ZRK-C-4.5
Water Saving Closet	3.5	ZRK-C-3.5
Low Consumption Closet	1.6	ZRK-C-1.6
Full Flow Urinal	3.0	ZRK-U-3.0
Water Saving Urinal	1.5	ZRK-U-1.5
Low Consumption Urinal	1.0	ZRK-U-1.0

Engineering Specification: Zurn ZRK Series Exposed Aquafush Sensor Retrofit Kits are equipped with an infrared sensor, a 6VDC solenoid, and integral battery holder for four AA alkaline batteries. The unit comes complete with tempered glass replaceable lens, four AA batteries, switchable courtesy flush, switchable automatic 24-hour flush, maintenance override, range adjustment light, low battery indicator, abnormal reflection indicator, chrome-plated metal housing, field adjustable range, and infrared beam tilt adjustment. Specify proper kit from table above.

Courtesy Flush: The sensor will provide a courtesy flush two seconds after a person is first detected. The courtesy flush freshens the bowl and removes any residue from the fixture. The main flush will occur when the user steps away from the fixture. The courtesy flush feature can be manually switched on or off in the field, depending on owner preference.

Automatic 24-Hour Flush: The sensor will provide an automatic flush 24 hours after the last user. The automatic flush feature can be manually switched on or off in the field, depending on owner preference.

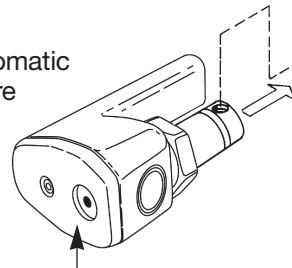
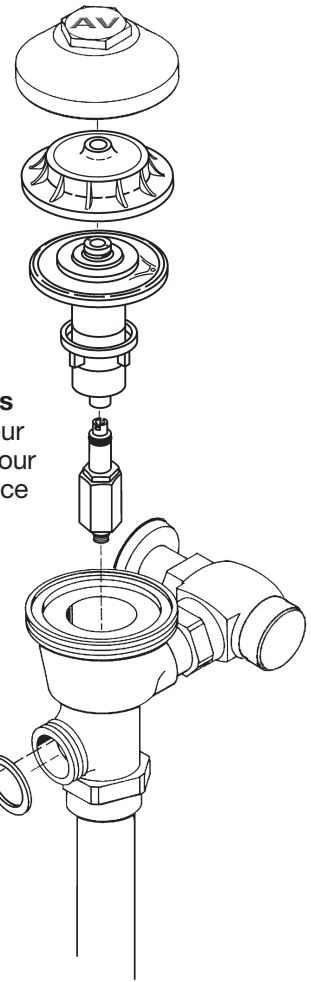
Maintenance Override: An on-demand magnetic override system enables the initiation or prevention of flushing during maintenance or cleaning.

Indicator Light: The sensor unit includes a red indicator light having three functions: 1) Range Adjustment: For the first ten minutes of operation, the red light will flash when an object is detected. 2) Low Battery Indication: When the batteries have reached the caution level, the red light will flash when an object is detected. 3) Abnormal Reflection Indicator: When a reflective surface is present for longer than 30 minutes, the red light will flash indicating that an object is being continuously detected.

Adjustable Range: The detection distance is field adjustable from 12 inches to 60 inches. Range distance is easily set by the use of the red indicator light.

To Change The Sensor Setting: Remove the side cover of the RetroFlush sensor housing by use of the vandal-resistant hex wrench. Review the setting of switch number three on the side of the sensor case (see table). If the switch is not already in the appropriate setting, move the switch into the proper setting. Once the switch setting is completed, press the reset button and replace the RetroFlush sensor housing cover.

Note: The retrofit kit reuses the existing stop valve, main valve body, and flush tube. For a new main valve body with the sensor factory assembled, specify the ZR6000-X model flush valve. For a complete new valve, including stop valve and flush tube, specify the ZR6000AV model flush valve.



Zurn RetroFlush Kit for Closet Application with Override Button Illustrated

