

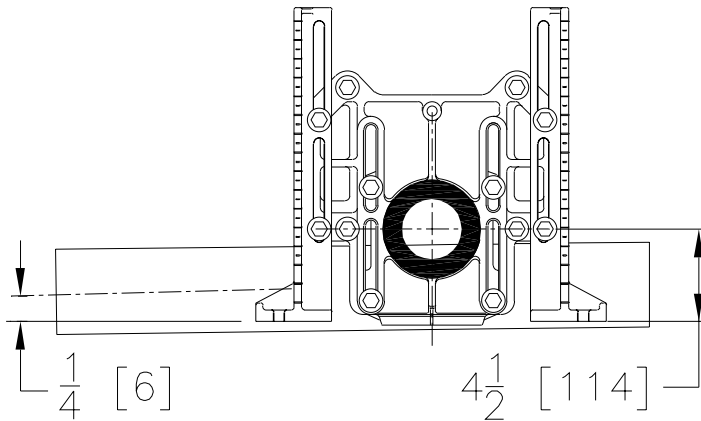


CARRIER SYSTEM ADJUSTMENT Z1203, Z1204

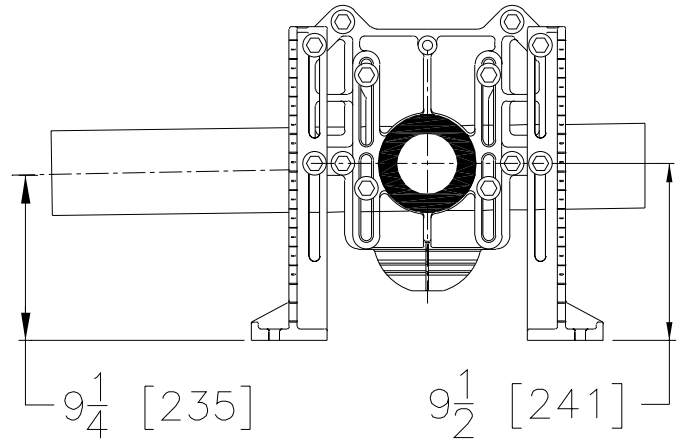
Dimensional Data (inches and [mm]) are Subject to Manufacturing Tolerances and Change Without Notice

Z1203, Z1204

MINIMUM/MAXIMUM ADJUSTMENT OF CARRIER SYSTEMS



Lowest Fixture Outlet and
Drain Line Position



Highest Fixture Outlet and
Drain Line Position

C/L Fixture Outlet Height from Floor	C/L of Drain Line Position From Floor	
	Min.	Max.
4 1/2 [114]	1/4 [6]	4 1/4 [108]
4 3/4 [121]	1/2 [13]	4 1/2 [114]
5 [127]	3/4 [19]	4 3/4 [121]
5 1/2 [140]	1 1/4 [32]	5 1/4 [133]
6 [152]	1 3/4 [44]	5 3/4 [146]
6 1/2 [165]	2 1/4 [57]	6 1/4 [159]
7 [178]	2 3/4 [70]	6 3/4 [171]
7 1/2 [190]	3 1/4 [82]	7 1/4 [184]
8 [203]	3 3/4 [95]	7 3/4 [197]
8 1/4 [210]	4 [102]	8 [203]
8 1/2 [216]	4 1/4 [108]	8 1/4 [210]
8 3/4 [222]	4 1/2 [114]	8 1/2 [216]
9 [229]	4 3/4 [121]	8 3/4 [222]
9 1/2 [241]	5 1/4 [133]	9 1/4 [235]

For any given rough-in height, the fitting can be adjusted up and down (a maximum of 4 [102]) to accommodate drainage pitch on long runs. When back-to-back and handicapped rough-ins are used, note that there are further limitations to the number of fittings in a given run.

Form # C24	Date: 05/17/05	C.N. No. 93418	Rev. B
-------------------	-----------------------	-----------------------	---------------