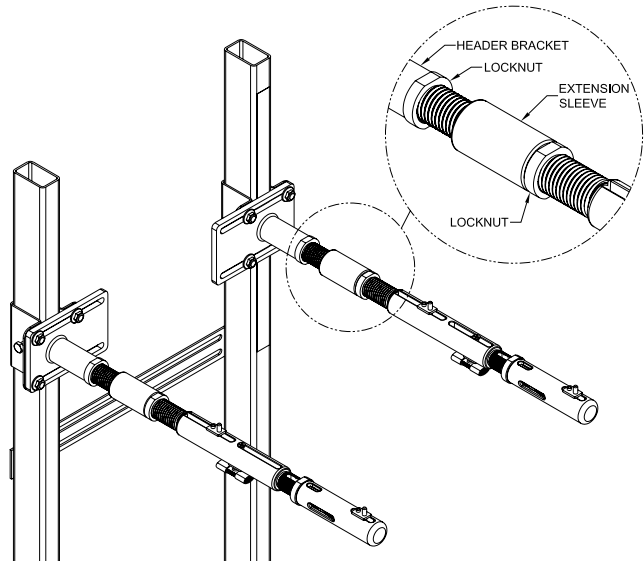




Z1231EZ-EXT

WALL-HUNG LAVATORY ADJUSTABLE CARRIER WITH EXTENSION SLEEVE INSTALLATION INSTRUCTIONS

1. Ensure installation of the uprights and adjustments of the header brackets have been completed.
2. Ensure the locknut is fully threaded onto the extension sleeve.
3. Install the extension sleeve onto the header bracket, ensuring a minimum 1 inch thread engagement, then tighten the locknut against the sleeve.
4. Continue with arm installation per Z1231EZ Installation Instructions.



⚠ WARNING: Cancer and Reproductive Harm - www.P65Warnings.ca.gov

⚠ ADVERTENCIA: Cáncer y daño reproductivo - www.P65Warnings.ca.gov

⚠ AVERTISSEMENT: Cancer et effets néfastes sur la reproduction - www.P65Warnings.ca.gov

Zurn Industries, LLC | Specification Drainage Operation
1801 Pittsburgh Avenue, Erie, PA 16502, Ph. 855.663.9876

In Canada | Zurn Industries Limited
7900 Goreway Drive, Unit 10, Brampton, Ontario L6T 5W6, Ph. 877.892.5216

www.zurn.com

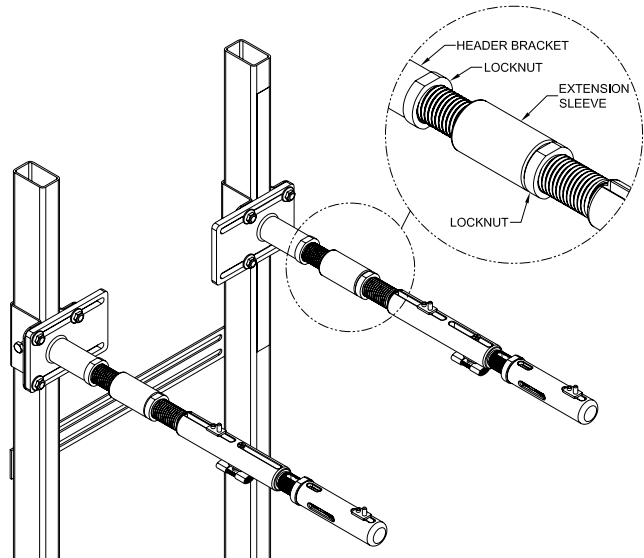
Rev. -
Date: 04/21/2020
C.N. No. 142611
Prod. | Dwg. No. C68



Z1231EZ-EXT

WALL-HUNG LAVATORY ADJUSTABLE CARRIER WITH EXTENSION SLEEVE INSTALLATION INSTRUCTIONS

1. Ensure installation of the uprights and adjustments of the header brackets have been completed.
2. Ensure the locknut is fully threaded onto the extension sleeve.
3. Install the extension sleeve onto the header bracket, ensuring a minimum 1 inch thread engagement, then tighten the locknut against the sleeve.
4. Continue with arm installation per Z1231EZ Installation Instructions.



⚠ WARNING: Cancer and Reproductive Harm - www.P65Warnings.ca.gov

⚠ ADVERTENCIA: Cáncer y daño reproductivo - www.P65Warnings.ca.gov

⚠ AVERTISSEMENT: Cancer et effets néfastes sur la reproduction - www.P65Warnings.ca.gov

Zurn Industries, LLC | Specification Drainage Operation
1801 Pittsburgh Avenue, Erie, PA 16502, Ph. 855.663.9876

In Canada | Zurn Industries Limited
7900 Goreway Drive, Unit 10, Brampton, Ontario L6T 5W6, Ph. 877.892.5216

www.zurn.com

Rev. -
Date: 04/21/2020
C.N. No. 142611
Prod. | Dwg. No. C68