



AQUASPEC[®] FAUCETS

MODEL - Z86100-XL SERIES

SINGLE BASIN METERING

TECHNICAL INFORMATION

FLOW: 0.25 GPC MAXIMUM; PRESET AT FACTORY TO 10 TO 15 SECONDS @ 80 PSI ADJUSTABLE
MAXIMUM PRESSURE: 80 PSI
MAXIMUM TEMPERATURE: 140° F

IMPORTANT THE WATER SUPPLY LINES MUST BE THOROUGHLY FLUSHED BEFORE INSTALLATION TO PREVENT FOREIGN MATTER AND DEBRIS FROM CLOGGING AND/OR DAMAGING INTERNAL COMPONENTS

IMPORTANT THE FAUCET HAS AN INTEGRAL SHANK FILTER ASSEMBLY INSTALLED IN THE BODY UNDER THE METERING CARTRIDGE TO PREVENT FOREIGN MATTER AND DEBRIS FROM DAMAGING THE FAUCET. THE INTEGRAL FILTER MAY BE REMOVED TO BE BACK-FLUSHED AND CLEANED IF INSUFFICIENT FLOW IS DETECTED. THE INTEGRAL SHANK FILTER ASSEMBLY MUST BE RE-INSTALLED AFTER SERVICING TO ENSURE PROPER FUNCTIONING OF THE METERING CARTRIDGE.

⚠ WARNING: Cancer and Reproductive Harm - www.P65Warnings.ca.gov
⚠ ADVERTENCIA: Cáncer y daño reproductivo - www.P65Warnings.ca.gov
⚠ AVERTISSEMENT: Cancer et effets néfastes sur la reproduction - www.P65Warnings.ca.gov

* INSTALLATION INSTRUCTIONS

1. THE WATER SUPPLY LINE MUST BE THOROUGHLY FLUSHED BEFORE FAUCET INSTALLATION.
2. REMOVE FAUCET BODY FROM CARTON AND PLACE GASKET (ITEM #8) ON SHANK.
3. PLACE FAUCET ON SINK, MOUNT LOCKWASHER (ITEM #7B) AND MOUNTING NUT (ITEM #7C) ONTO SHANK FROM UNDER SINK.
4. HAND TIGHTEN MOUNTING NUT (ITEM #8). MAKE SURE FAUCET IS CENTERED PROPERLY. DO NOT OVER TIGHTEN, YOU COULD DAMAGE THE FIXTURE.
5. ATTACH LAVATORY SUPPLY TO THE FAUCET WITH RISER NUT (ITEM #7C).
6. OPTIONAL GRID STRAINER (-G)/HANDICAP OFFSET GRID DRAIN (-GH): INSTALL GRID STRAINER IN SINK OUTLET AND PLUMB WASTE CONNECTION.
7. TURN WATER SUPPLY ON AND OPERATE THE FAUCET WHILE CHECKING FOR LEAKS.
8. INSTALL AERATOR (ITEM #6) INTO FAUCET AND HAND TIGHTEN.
9. METERING CARTRIDGE IS FACTORY PRESET FOR A 10 TO 15 SECOND CYCLE AT 80 PSI, IF ADJUSTMENT IS NECESSARY, SEE "ADJUSTING THE CYCLE TIME" SECTION (PAGE 2).

MAINTENANCE

1. YOUR ZURN AQUASPEC FAUCET HAS A HIGHLY POLISHED NICKEL CHROME PLATED FINISH. CLEAN WITH SOAP AND WATER OR A MILD CLEANER WHICH IS SAFE FOR CHROME PLATING. DO NOT USE ACIDS OR TOILET BOWL CLEANER AS THEY WILL DAMAGE THE FINISH.
2. METERING CARTRIDGE (ITEM #3) REMOVAL AND REPLACEMENT.
 - 2.1. REMOVE COLORED INDEX BUTTON (ITEM #1D) FROM HANDLE (ITEM #1A).
 - 2.2. LOOSEN SET SCREW (ITEM #1B) IN HANDLE WITH 3/32" ALLEN WRENCH.
 - 2.3. PULL UP ON HANDLE TO REMOVE FROM STEM (ITEM #2C) OF HANDLE NUT ASSEMBLY (ITEM #2).
 - 2.4. REMOVE HANDLE NUT ASSEMBLY (ITEM #2) USING 1-1/8" HEX 6-POINT SOCKET.PLACE AS REQUIRED.

- 2.5. REMOVE METERING CARTRIDGE (ITEM #3) BY LIFTING OUT OF FAUCET BODY (ITEM #5). IT MAY BE NECESSARY TO OPEN THE SUPPLY STOP SLIGHTLY TO ALLOW WATER PRESSURE TO PUSH THE METERING CARTRIDGE UPWARD.
- 2.6 INSPECT METERING CARTRIDGE (ITEM #3) FOR WORN PARTS, DAMAGED PARTS AND ANY CONTAMINATION THAT MAY BE PREVENTING THE METERING CARTRIDGE FROM MOVING FREELY OR SEATING. OTHER THAN CLEANING ANY TRAPPED DEBRIS, **THERE ARE NO SERVICEABLE PARTS IN THE METERING CARTRIDGE.** CONTAMINATED OR DAMAGED METERING CARTRIDGE ASSEMBLIES SHOULD BE REPLACED.
- 2.7 REVERSE STEPS 2.1 THROUGH 2.5 FOR RE-ASSEMBLY. TIGHTEN CAP (ITEM #2F) WITH 1-1/8" HEX 6-POINT SOCKET UNTIL NO WATER IS LEAKING FROM UNDER THE HANDLE NUT ASSEMBLY WHEN THE FAUCET IS RUNNING. HOLD DOWN HANDLE (ITEM #1) WHILE TIGHTENING SET SCREW (ITEM #1B) TO ENSURE PROPER SEATING.
3. IT MAY BE NECESSARY TO REPLACE OR BACK FLUSH THE INTEGRAL SHANK FILTER CARTRIDGE AND AERATOR PERIODICALLY TO REMOVE COLLECTED SEDIMENT AND DEBRIS.
 - 3.1 THE INTEGRAL SHANK FILTER (ITEM #4) MAY BE REMOVED BY USING A 1/4" ALLEN WRENCH. CLEAN OR REPLACE AS REQUIRED.

ADJUSTING THE CYCLE TIME ON ZURN METERING FAUCET

1. METERING FAUCETS ARE FACTORY PRESET FOR A 10 SEC. CYCLE AT 80 PSI.
2. ACTUATE FAUCET 3 TO 5 TIMES TO REMOVE ANY TRAPPED AIR IN THE SUPPLY LINE OR FAUCET.
3. REMOVE HANDLE (ITEM #1) PER INSTRUCTIONS IN MAINTENANCE SECTION 2.1 THROUGH 2.3 TO EXPOSE ADJUSTMENT NUT (ITEM #2E).
4. INCREASE CYCLE TIME BY TIGHTENING ADJUSTMENT NUT (ITEM #2E) 1/2 TURN CLOCKWISE. DECREASE CYCLE TIME BY LOOSENING ADJUSTMENT NUT 1/2 TURN COUNTERCLOCKWISE. CHECK FOR DESIRED CYCLE TIME BY ACTUATING FAUCET WITH HANDLE (ITEM #1) IN PLACE ON STEM (ITEM #2C).

REPLACEMENT PARTS

HANDLE NUT ASSEMBLY	G60561
METERING CARTRIDGE ASSEMBLY	G61754
HANDLE ASSEMBLY	G60522
INTEGRAL SHANK FILTER ASSEMBLY	G60802

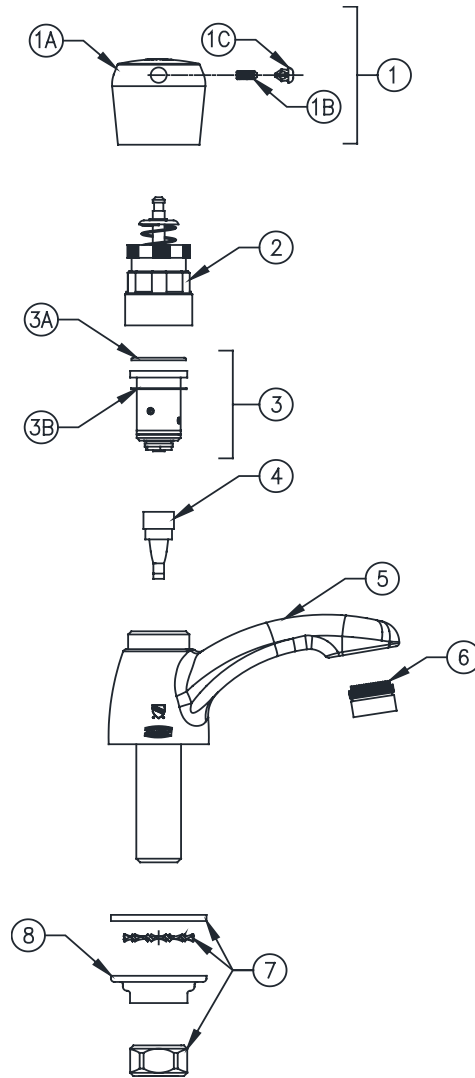
* Installation Instructions are revised frequently.

Please access website for the latest revision.

METERING FAUCET TROUBLE SHOOTING GUIDE

PROBLEM	CAUSE	SOLUTION
No water dispensing from faucet.	Supply stops not open.	Open supply stops.
	Aerator (Item #6) contaminated.	Remove aerator (Item #6) to clean and/or replace.
	Filter assembly (Item #4) contaminated.	Shut off water supply. Remove filter assembly to clean and/or replace. Filter located internally within faucet body under metering cartridge.
Faucet is shutting off too quickly.	Adjustment nut (Item #2E) requires adjustment.	Remove handle (Item #1) using 3/32" Allen wrench. Rotate adjustment nut (Item #2E) down (CW) to lengthen handle stroke and increase cycle time.
	Metering cartridge (Item #3) is damaged.	Replace metering cartridge (Item #3) G61754 per Installation and Maintenance guide, page 1
Faucet is running too long or will not shut off.	Adjustment nut (Item #2E) requires adjustment.	Remove handle (Item #1) using 3/32" Allen wrench. Rotate adjustment nut (Item #2E) up (CCW) to shorten handle stroke and decrease cycle time.
	Metering cartridge (Item #3) is overly contaminated or damaged.	Replace metering cartridge (Item #3) G61754 per Installation and Maintenance guide, page 2
	Aerator (Item #6) is not installed or incorrect aerator (Item #6) installed.	Install 1.0 GPM or 0.5 GPM aerator (Item #6). Faucet may not shut off with flow rate > 1.0 GPM.
	Handle nut (Item #2) is not adequately tightened.	Tighten handle nut (Item #2) using 1-1/8" hex 6 point socket to create seal and seat metering cartridge. Do not over tighten.

Z86100-XL PICTURED



Item	Part Number	Description	Qty.
1	G60522	Metering Handle Assembly	1
1A	60601003	Metering Handle	1
1B	62705001	Setscrew	1
1C	G68558	Metering Index Buttons - H, C, T	1
2	G60561	Handle Nut Assembly	1
3	G61754	Cartridge Sleeve	1
3A	58155020	O-ring	1
3B	81241001	Washer	1
4	G68020	Integral Shank Filter	1
5	92285-004	Single Basin Body	1
6	G63561	13/16"-27 Male Spray Outlet - 0.25 GPC	1
7	G68037	Mounting Hardware	1
8	59530002	Mounting Nut	1