

AQUASPEC[®] FAUCETS

MODEL - Z85700-XL SERIES
KNEE ACTION VALVE



TECHNICAL INFORMATION

MAXIMUM PRESSURE: 125 PSI
MAXIMUM TEMPERATURE: 180° F
CARTRIDGE STYLE - SELF CLOSING VALVE

IMPORTANT THE WATER SUPPLY LINES MUST BE THOROUGHLY FLUSHED BEFORE INSTALLATION TO PREVENT FOREIGN MATTER AND DEBRIS FROM CLOGGING AND/OR DAMAGING INTERNAL COMPONENTS AND THEREBY PREVENTING THE FAUCET FROM FUNCTIONING PROPERLY

⚠ WARNING: Cancer and Reproductive Harm - www.P65Warnings.ca.gov
⚠ ADVERTENCIA: Cáncer y daño reproductivo - www.P65Warnings.ca.gov
⚠ AVERTISSEMENT: Cancer et effets néfastes sur la reproduction - www.P65Warnings.ca.gov

INSTALLATION INSTRUCTIONS

1. SHUT OFF WATER SUPPLY AND DRAIN LINES.
2. DETERMINE ACTUAL MEASUREMENTS (WALL TO FRONT) AND USE MEASUREMENTS BELOW (FIGURE 1) AS A GUIDE.
3. PLACE COVER PLATE (#14) OVER VALVE BODY (#2) AND SECURE WITH WALL MOUNT SCREW (#3) AND NUT (#15)
4. DRILL THREE (3) 9/32" DIAMETER HOLES IN WALL USING WALL BRACKET (#23) AS A GUIDE (FIGURE 2). MOUNT WALL BRACKET (#23) TO RECEIVE SUPPLY PIPES FROM WALL TO CLAMP (#26).
5. FIRMLY TIGHTEN SCREW (#24) AND WASHER (#25) INTO CLAMP (#26). ADJUST CLAMP (#26) IF NECESSARY FOR PIPE FIT.
6. APPLY TEFLON TAPE OR PIPE JOINT COMPOUND TO THREADS. CONNECT WATER SUPPLY LINES, 1/2" NPT FOR 2 INLETS AND 1 OULTET ON VALVE BODY (#2).
7. TURN ON WATER SUPPLY AND CHECK CONNECTIONS FOR LEAKING.
8. TO ADJUST WATER FLOW, TIGHTEN ADJUSTMENT SCREW (#5) TO INCREASE FLOW. USE NUT (#6) TO LOCK ADJUSTMENT SCREW IN PLACE.

MAINTENANCE

1. YOUR ZURN FAUCET HAS A HIGHLY POLISHED NICKEL CHROME PLATED FINISH. CLEAN WITH SOAP AND WATER OR A MILD CLEANER WHICH IS SAFE FOR CHROME PLATING. DO NOT USE ACIDS OR TOILET BOWL CLEANER AS THEY WILL DAMAGE THE FINISH

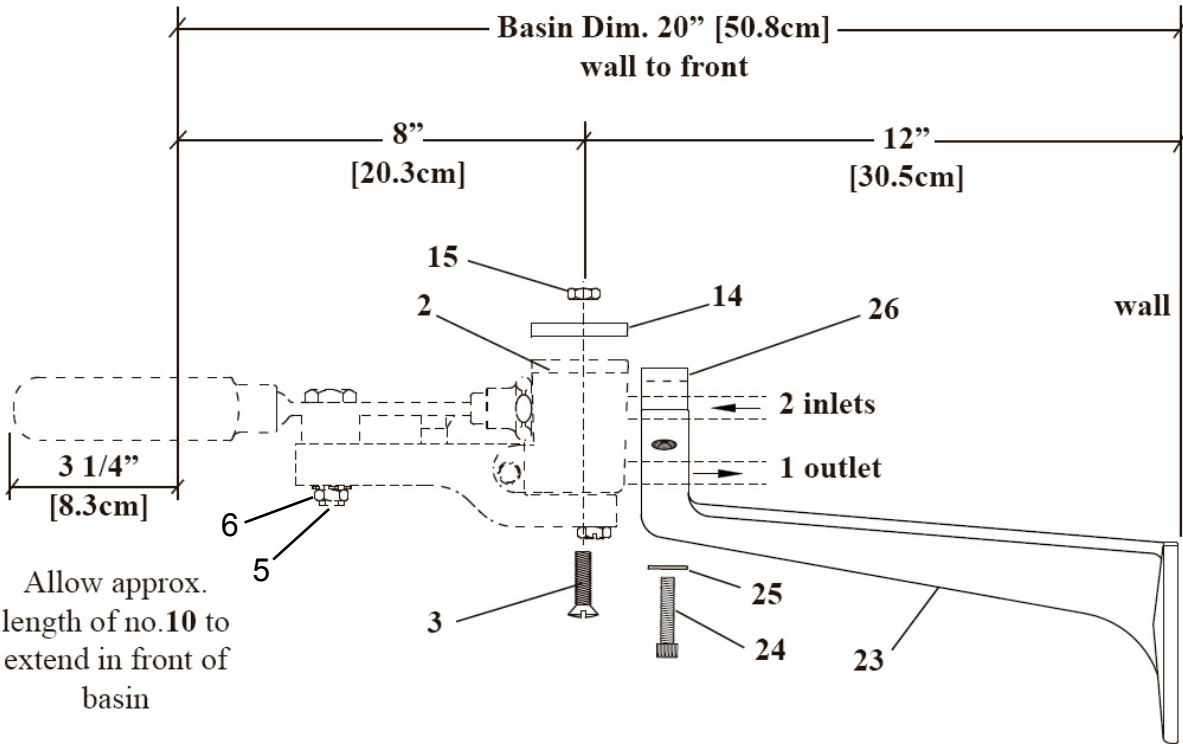


FIGURE 1

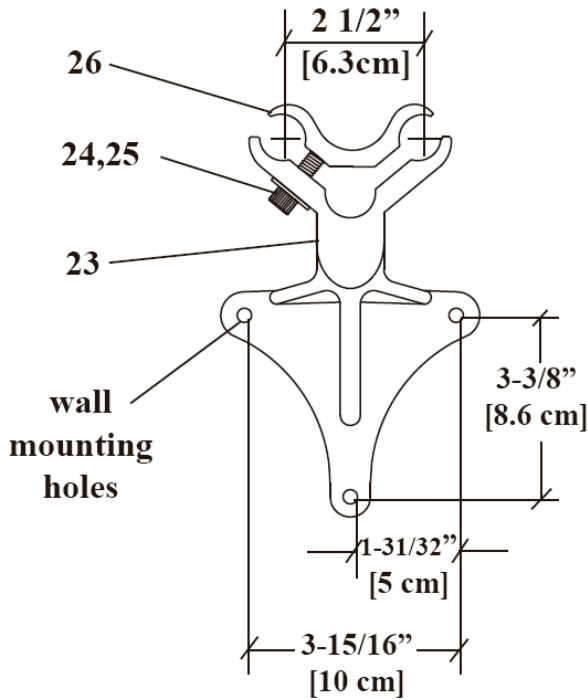
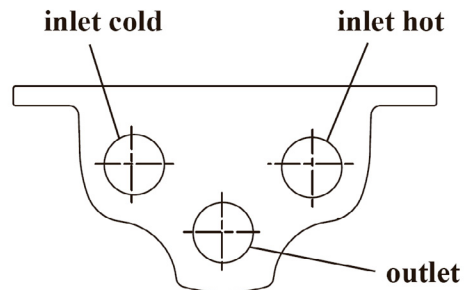


FIGURE 2



Back View of no.2

FIGURE 3