



ILLUSTRATED FLOOR DRAINS Z415-90, Z508-90, Z541-90

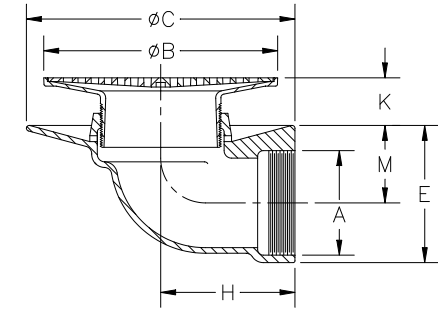
Dimensional Data (inches and [mm]) are Subject to Manufacturing Tolerances and Change Without Notice

Z415-90, Z508-90, Z541-90 FLOOR DRAINS

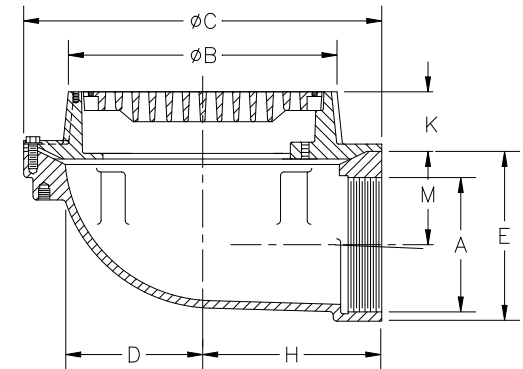
Typifies a Zurn floor drain with a 90° side outlet. Drains of this type are designed for applications which require horizontal piping where depth is a problem. The (-90) 90° side outlet option is available on various types of Zurn floor drains. See chart below for dimensional data.

Product No.	A	B	C	D	E	H	K	M
Z415-90	2 [51]	6 [152]	9 [229]	-	4-3/8 [111]	4-1/2 [114]	1 [25] Min.	3-1/2 [89]
	3 [76]	7 [178]	9 [229]	-	4-3/8 [111]	4-1/2 [114]	2 [51] Max.	2-1/2 [63]
Z505-90	2 [51]	12-1/4 [317]	15 [381]	5-1/2 [140]	5-3/4 [146]	7-1/2 [190]	2 [51]	4-1/8 [105]
Z540-90	5 [127]	12-1/4 [317]	15 [381]	5-7/8 [150]	7-7/8 [200]	7-1/2 [190]	2 [51]	4-3/4 [121]
Z541-90 Z610-90	6 [152]	12-1/4 [317]	15 [381]	5-7/8 [150]	7-7/8 [200]	7-1/2 [190]	2 [51]	4-1/4 [108]
Z508-90	2 [51]	9 [229]	12 [305]	4-3/4 [121]	5-3/4 [146]	6 [152]	2 [51]	4-1/8 [105]
Z550-90	3 [76]	9 [229]	12 [305]	4-3/4 [121]	5-3/4 [146]	6 [152]	2 [51]	3-5/8 [92]

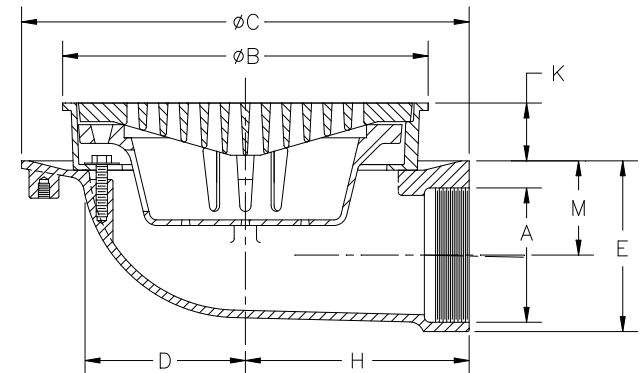
Z415-90



Z508-90



Z541-90



⚠ **WARNING:** Cancer and Reproductive Harm - www.P65Warnings.ca.gov
 ⚠ **ADVERTENCIA:** Cáncer y daño reproductivo - www.P65Warnings.ca.gov
 ⚠ **AVERTISSEMENT:** Cancer et effets néfastes sur la reproduction - www.P65Warnings.ca.gov

Zurn Industries, LLC | Specification Drainage Operation
1801 Pittsburgh Avenue, Erie, PA U.S.A. 16502 · Ph. 855-663-9876, Fax 814-454-7929

In Canada | Zurn Industries Limited
3544 Nashua Drive, Mississauga, Ontario L4V 1L2 · Ph. 905-405-8272, Fax 905-405-1292

www.zurn.com

Rev. A
Date: 04/09/2018
C.N. No. 139857
Form No. FD19