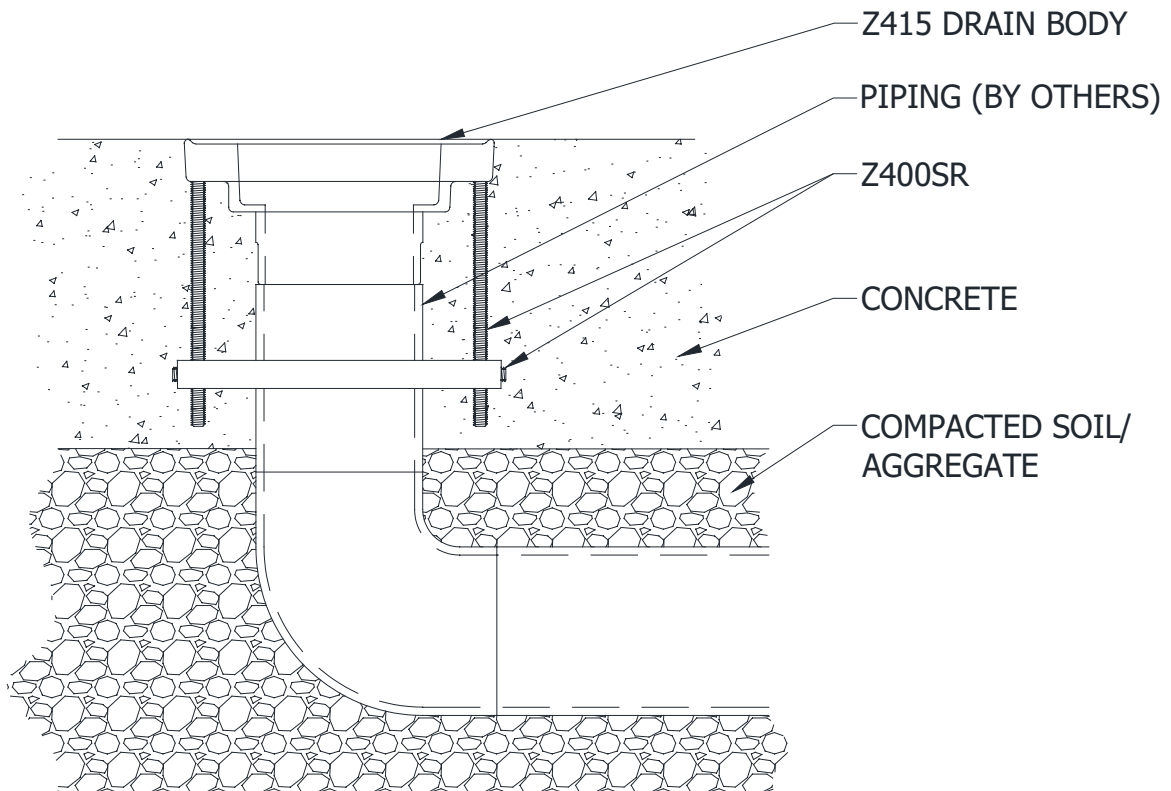




Z400SR

WITH FLOOR DRAIN TYPICAL INSTALLATION

Design and Dimensional Data (inches and [mm]) are Subject to Manufacturing Tolerances and Change Without Notice



Attach threaded rods of Z400SR to underside threaded bosses of the drain body. Feed rods through the (4) holes of the Z400SR plate and hand tighten set screws at desired length. Attach drain body and Z400SR assembly to pipe stub and tighten set screws against pipe. Adjust threaded rods and set screws until drain is firmly attached to pipe and level. Pour structural slab to top surface of drain body.

⚠ WARNING: Cancer and Reproductive Harm - www.P65Warnings.ca.gov

⚠ ADVERTENCIA: Cáncer y daño reproductivo - www.P65Warnings.ca.gov

⚠ AVERTISSEMENT: Cancer et effets néfastes sur la reproduction - www.P65Warnings.ca.gov

Zurn Industries, LLC | Specification Drainage Operation
1801 Pittsburgh Avenue, Erie, PA 16502, Ph. 855.663.9876

In Canada | Zurn Industries Limited
7900 Goreway Drive, Unit 10, Brampton, Ontario L6T 5W6, Ph. 877.892.5216

www.zurn.com

Rev. B
Date: 01/05/23
C.N. No. 144898
Patent zurn.com/patents
Form No. FD87