



Z874-12

End/Bottom Outlets

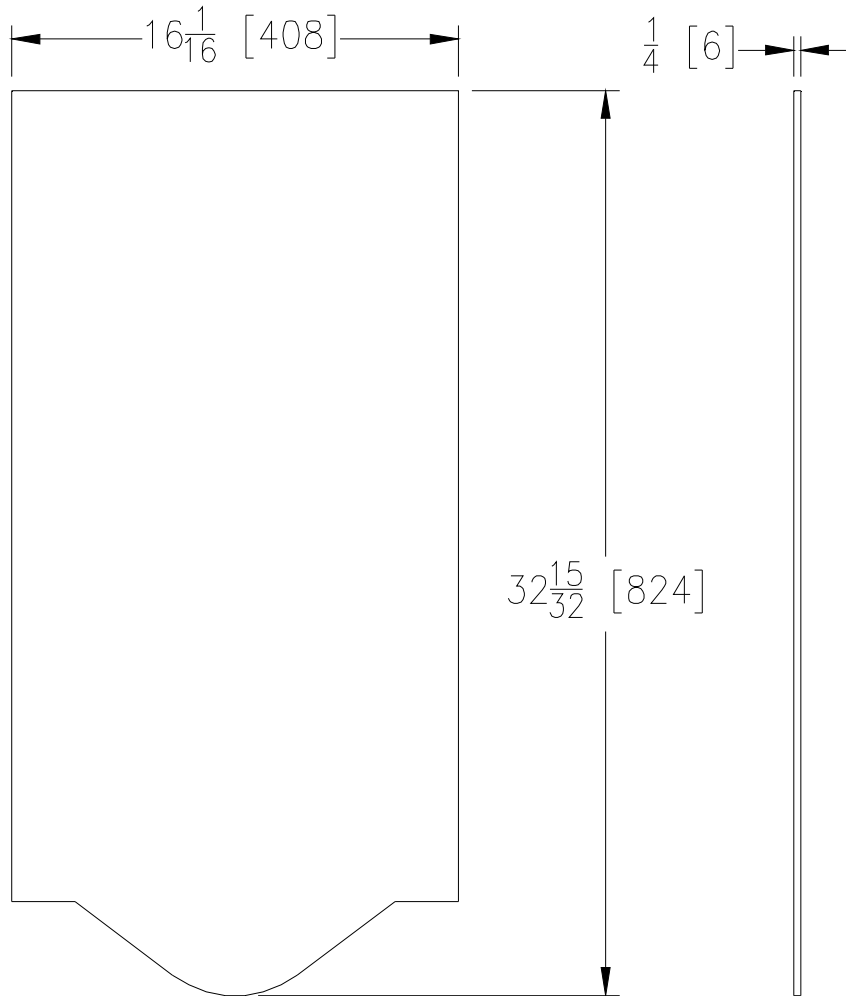
Dimensional Data (inches and [mm]) are Subject to Manufacturing Tolerances and Change Without Notice

Please Check	Item No.	Part Number	Item I.D.
✓	1	64232-006	P874-12-E1

ENGINEERING SPECIFICATION: ZURN Z874-12-E1

Closed End for 12 [301] wide Trench Drainage System. Endcap is made of 1/4 [6] thick HDPE.

**Unit to be cut in field per channel depth.





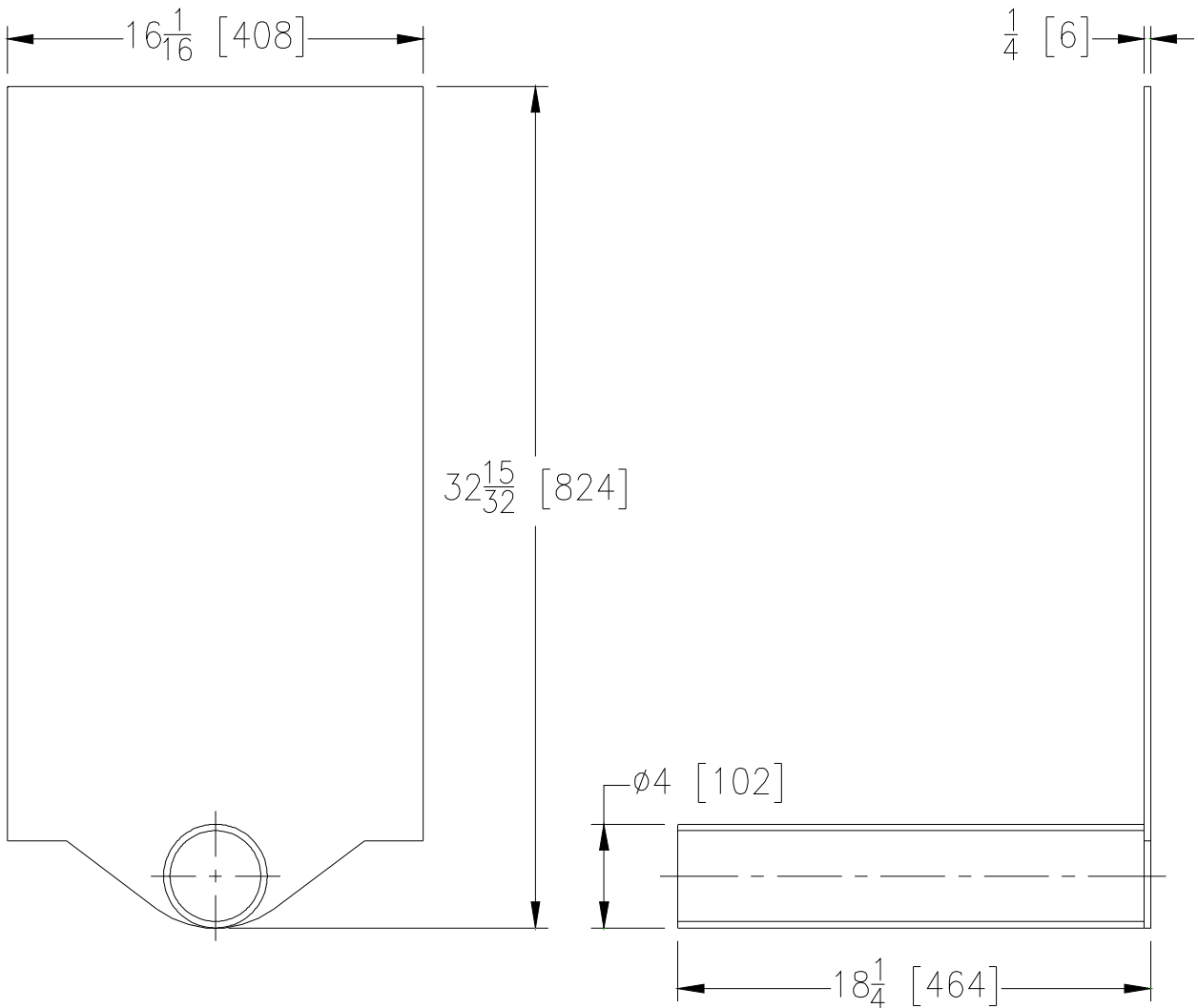
Z874-12

End/Bottom Outlets

Dimensional Data (inches and [mm]) are Subject to Manufacturing Tolerances and Change Without Notice

Please Check ✓	Item No.	Part Number	Item I.D.
	2	64202-006	P874-12-E4

ENGINEERING SPECIFICATION: ZURN Z874-12-E4
4 [102] No-Hub End Outlet for 12 [301] wide Trench Drainage System. Outlet is made of 1/4 [6] thick HDPE and is designed for No-Hub applications using an adapter (Supplied by other).
****Unit to be cut in field per channel depth.**





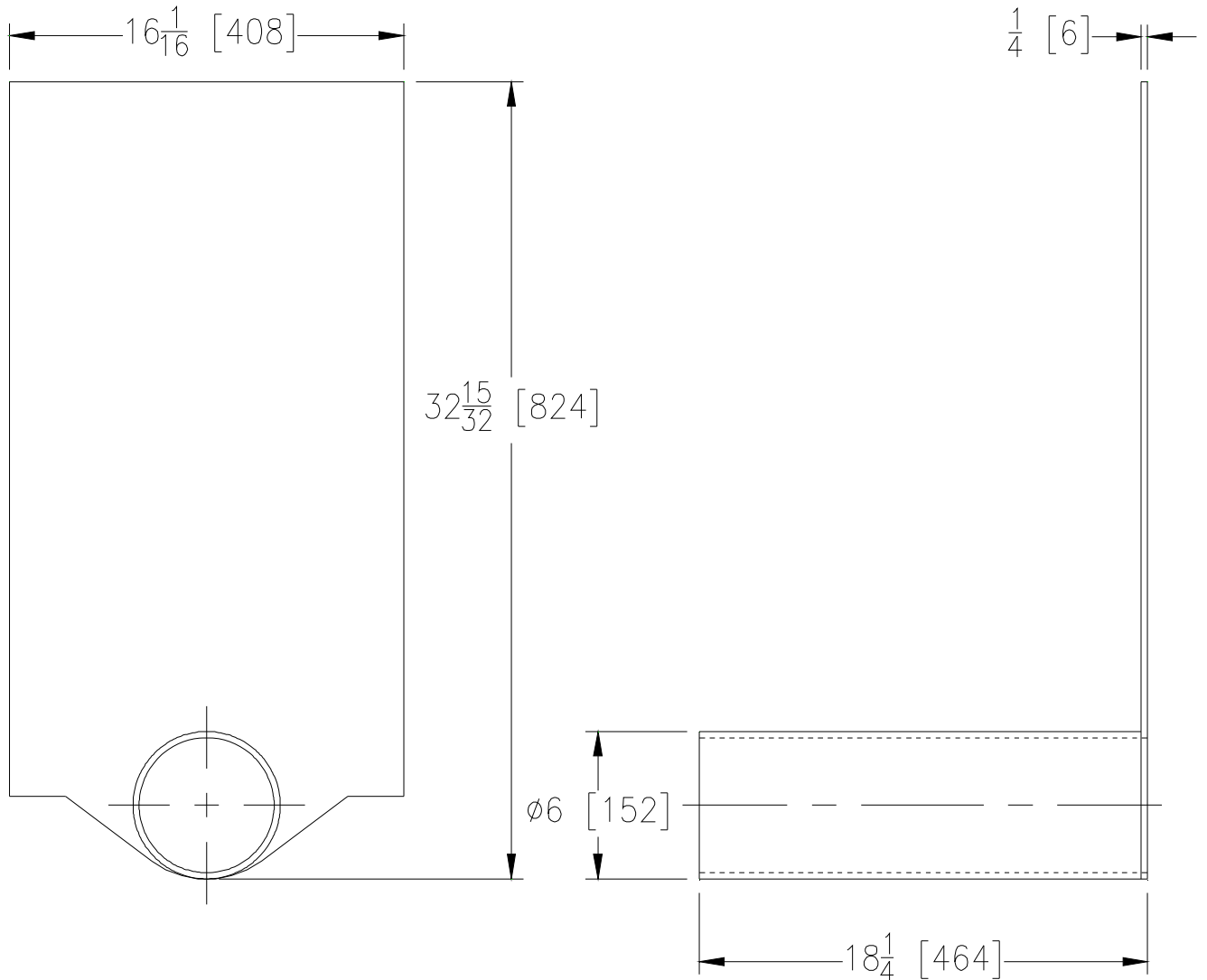
Z874-12

End/Bottom Outlets

Dimensional Data (inches and [mm]) are Subject to Manufacturing Tolerances and Change Without Notice

Please Check	Item No.	Part Number	Item I.D.
✓	3	64201-006	P874-12-E6

ENGINEERING SPECIFICATION: ZURN Z874-12-E6
6 [152] No-Hub End Outlet for 12 [301] wide Trench Drainage System. Outlet is made of 1/4 [6] thick HDPE and is designed for No-Hub applications using an adapter (Supplied by other).
****Unit to be cut in field per channel depth.**





Z874-12

End/Bottom Outlets

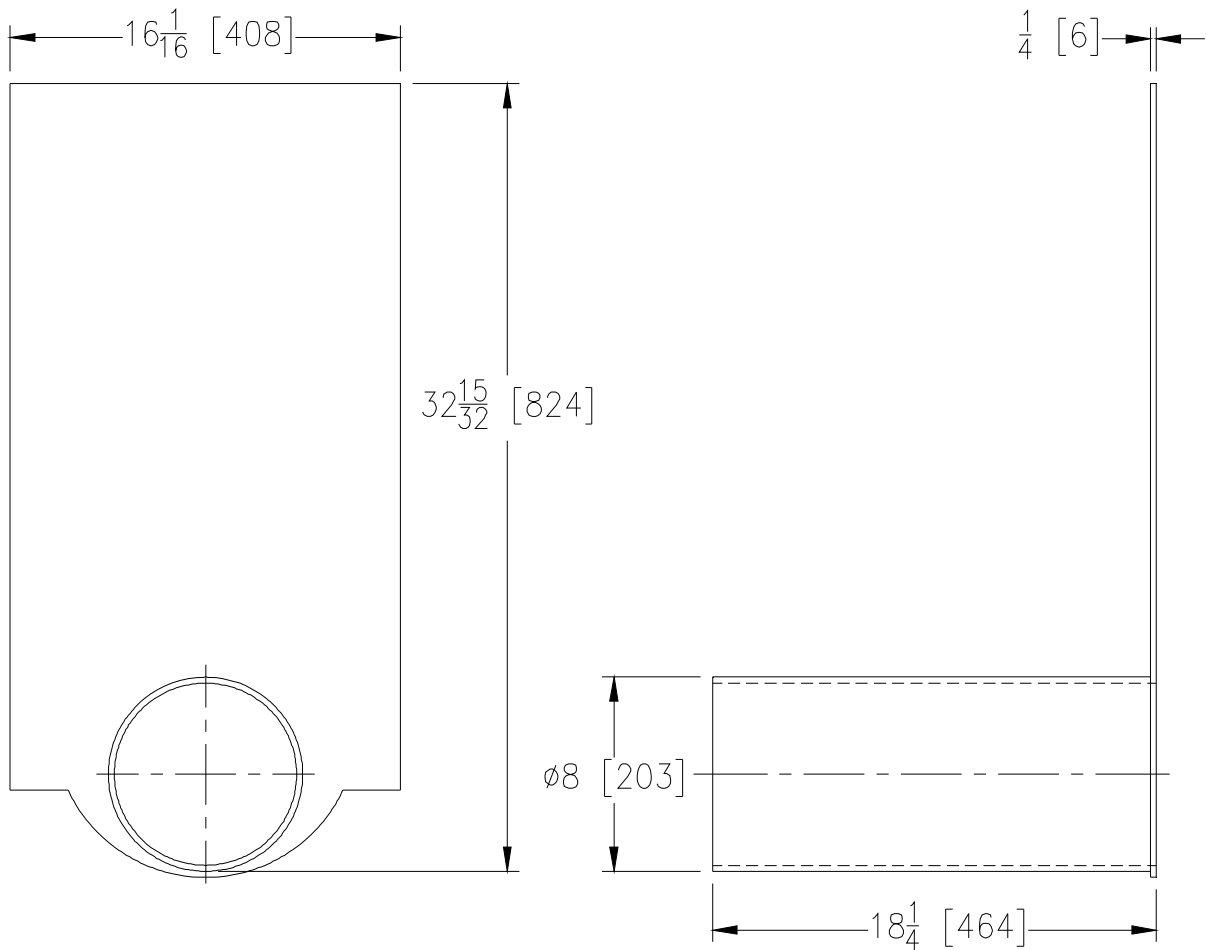
Dimensional Data (inches and [mm]) are Subject to Manufacturing Tolerances and Change Without Notice

Please Check	Item No.	Part Number	Item I.D.
✓	4	64200-006	P874-12-E8

ENGINEERING SPECIFICATION: ZURN Z874-12-E8

8 [203] No-Hub End Outlet for 12 [301] wide Trench Drainage System. Outlet is made of 1/4 [6] thick HDPE and is designed for No-Hub applications using an adapter (Supplied by other).

**Unit to be cut in field per channel depth.





Z874-12

End/Bottom Outlets

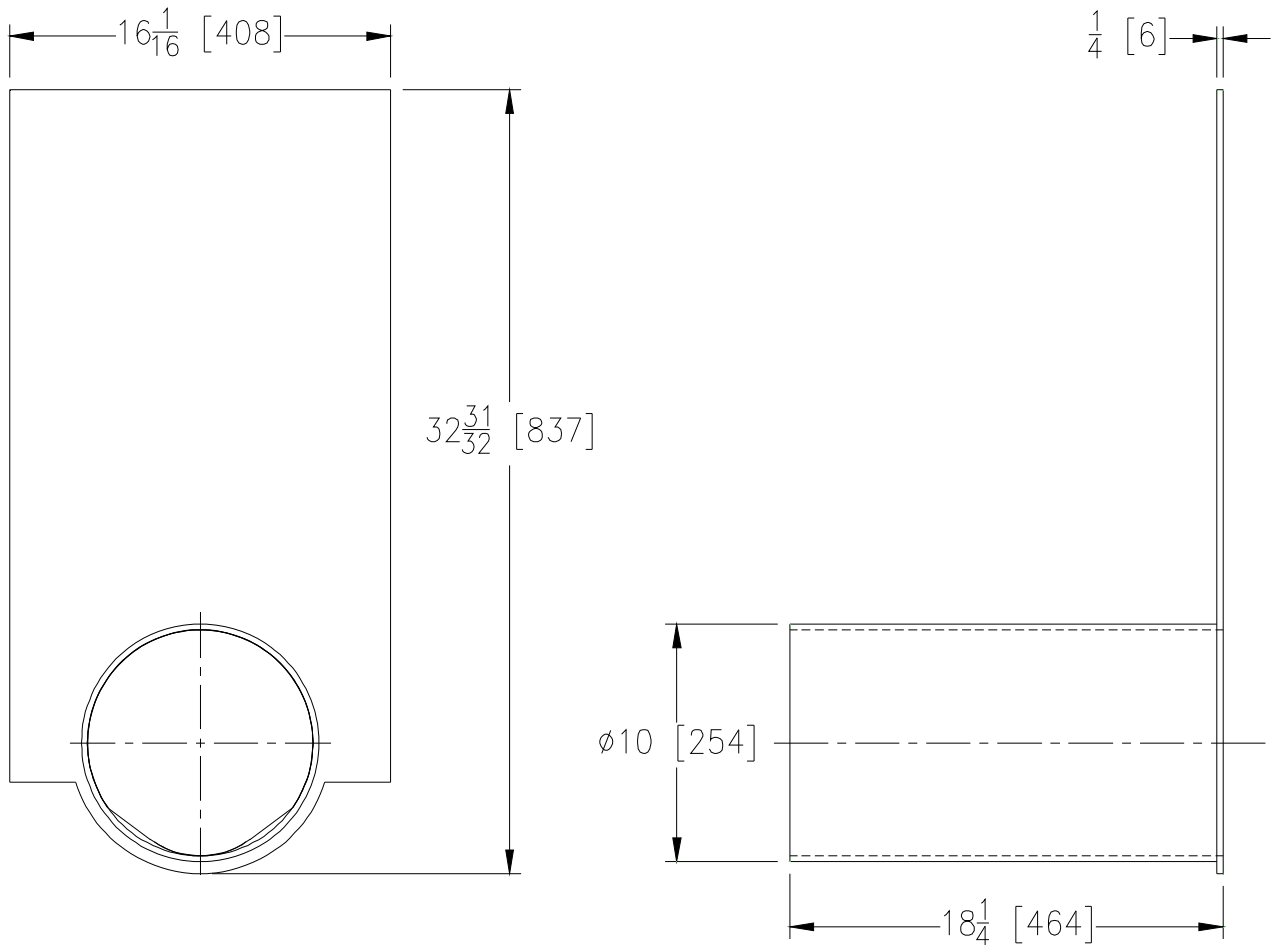
Dimensional Data (inches and [mm]) are Subject to Manufacturing Tolerances and Change Without Notice

Please Check	Item No.	Part Number	Item I.D.
✓	5	64199-006	P874-12-E10

ENGINEERING SPECIFICATION: ZURN Z874-12-E10

10 [254] No-Hub End Outlet for 12 [301] wide Trench Drainage System. Outlet is made of 1/4 [6] thick HDPE and is designed for No-Hub applications using an adapter (Supplied by other).

****Unit to be cut in field per channel depth.**





Z874-12

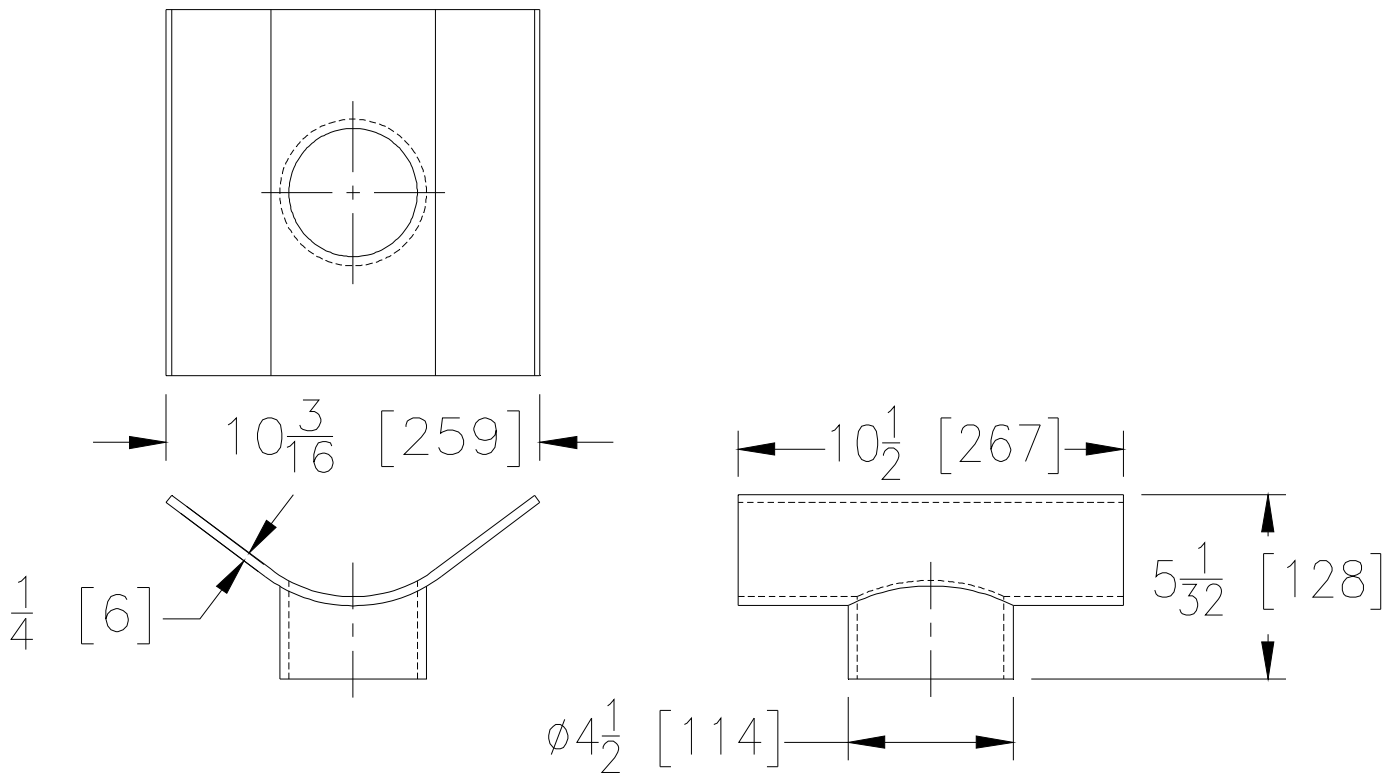
End/Bottom Outlets

Dimensional Data (inches and [mm]) are Subject to Manufacturing Tolerances and Change Without Notice

Please Check ✓	Item No.	Part Number	Item I.D.
	6	64233-001	P874-12-U4

ENGINEERING SPECIFICATION: ZURN Z874-12-U4

4 [102] No-Hub Bottom Outlet for 12 [301] wide Trench Drainage System. Outlet is made of 1/4 [6] thick HDPE and is designed for No-Hub applications using an adapter (Supplied by other).





Z874-12

End/Bottom Outlets

Dimensional Data (inches and [mm]) are Subject to Manufacturing Tolerances and Change Without Notice

Please Check	Item No.	Part Number	Item I.D.
✓	7	64234-001	P874-12-U6

ENGINEERING SPECIFICATION: ZURN Z874-12-U6

6 [152] No-Hub Bottom Outlet for 12 [301] wide Trench Drainage System. Outlet is made of 1/4 [6] thick HDPE and is designed for No-Hub applications using an adapter (Supplied by other).

