



## Z6900-SD-WM / Z6900-FSD-WM

Sensor Operated Battery Powered Liquid or Foaming Wall Mounted Soap Dispensers

Installation, Operation, Maintenance, and Parts Manual



## Z6900-SD-WM / Z6900-FSD-WM

### LIMITED WARRANTY

All goods sold hereunder are warranted to be free from defects in material and factory workmanship for a period of one year from the date of purchase. Decorative finishes warranted for one year. We will replace at no costs goods that prove defective provided we are notified in writing of such defect and the goods are returned to us prepaid at Sanford, NC, with evidence that they have been properly maintained and used in accordance with instructions. Zurn shall not be responsible for any labor charges or any loss, injury or damages whatsoever, including incidental or consequential damages. The sole and exclusive remedy shall be limited to the replacement of the defective goods. Before installation and use, the purchaser shall determine the suitability of the product for his intended use and the purchaser assumes all risk and liability whatever in connection therewith. Where permitted by law, the implied warranty of merchantability is expressly excluded. If the products sold hereunder are "consumer products," the implied warranty of merchantability is limited to a period of one year and shall be limited solely to the replacement of the defective goods. All weights stated in our catalogs and lists are approximate and are not guaranteed.

⚠ **WARNING:** Cancer and Reproductive Harm - [www.P65Warnings.ca.gov](http://www.P65Warnings.ca.gov)

⚠ **ADVERTENCIA:** Cáncer y daño reproductivo - [www.P65Warnings.ca.gov](http://www.P65Warnings.ca.gov)

⚠ **AVERTISSEMENT:** Cancer et effets néfastes sur la reproduction - [www.P65Warnings.ca.gov](http://www.P65Warnings.ca.gov)

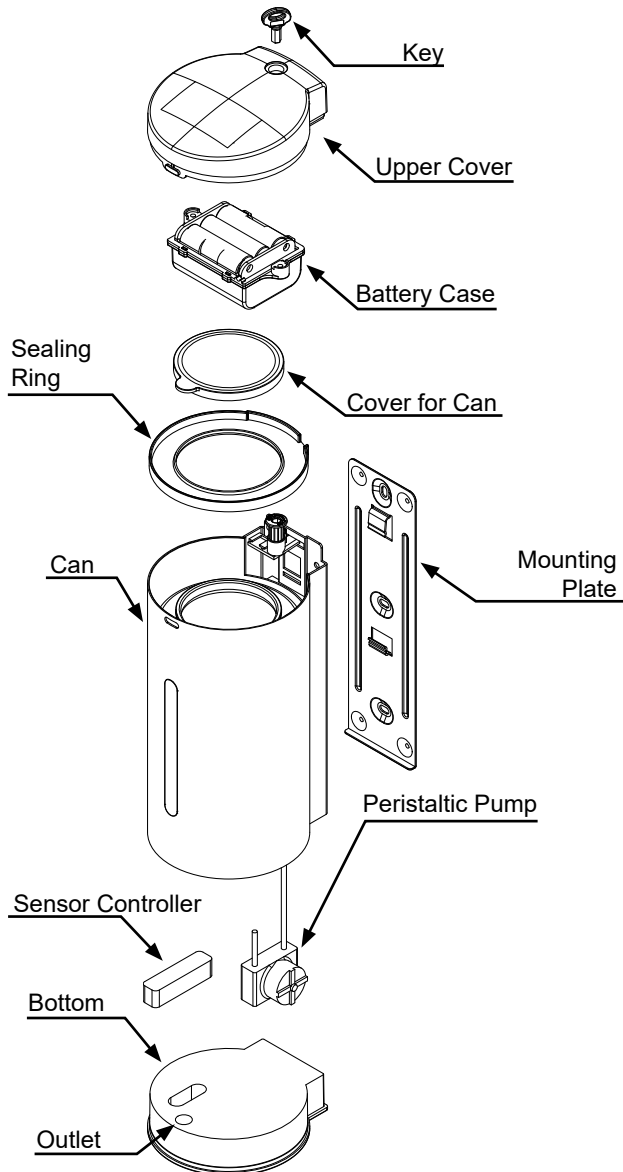
**NOTE:** The information in this manual is subject to change at any time without notice. Installations may be performed at different times of construction by different individuals. For this reason, these instructions should be left on-site with the facility or maintenance manager.

**NOTICE:** READ ENTIRE MANUAL PRIOR TO INSTALLING PRODUCT.

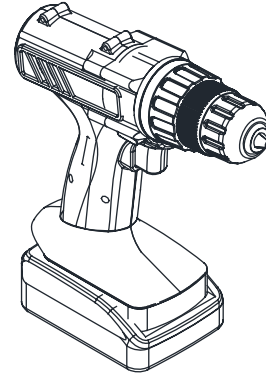
This Page Intentionally Left Blank

## Parts List

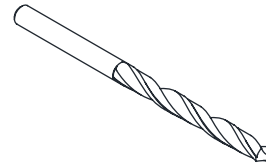
Z6900-SD-WM / Z6900-FSD-WM



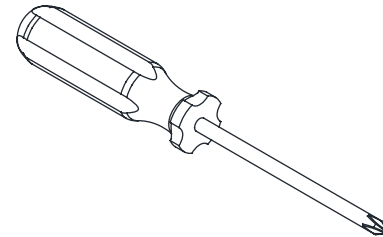
## Required Tools



Hand Drill



1/4" or 6mm  
Drill Bits



Phillips Head  
Screwdriver

## Specifications

Power supply:	DC 9V (6 AA Batteries - Included)
Power Consumption:	Standby 0.4W; Operation 1.2W
Sensing Distance:	2-6" adjustable
Liquid Bottle Volume:	650 ml (22 l.oz)
Dispensed Volume:	0.8 - 6.5 ml (liquid); 10 - 25 ml (foam) adjustable
Soap Viscosity (liquid):	100 - 3800 cPs
Operating Temperature:	34° - 110°F

## Cautions Before Installation

---

To ensure the longevity and correct function of the dispenser, please read the following:

1. Please read the manual before assembly and installation
2. Use 6 new AA alkaline batteries and do not mix old and new batteries
3. Install dispenser on a smooth wall and clean the area before installation
4. Ensure the distance from bottom of dispenser to sink basin or the nearest object below is more than 10 inches (25cm).
5. Please keep the manual for the life of the dispenser
6. Do not put objects such as stainless steel objects or photoelectric sensors underneath the sensor window of the dispenser
7. Please install the dispenser in an area with little sunlight

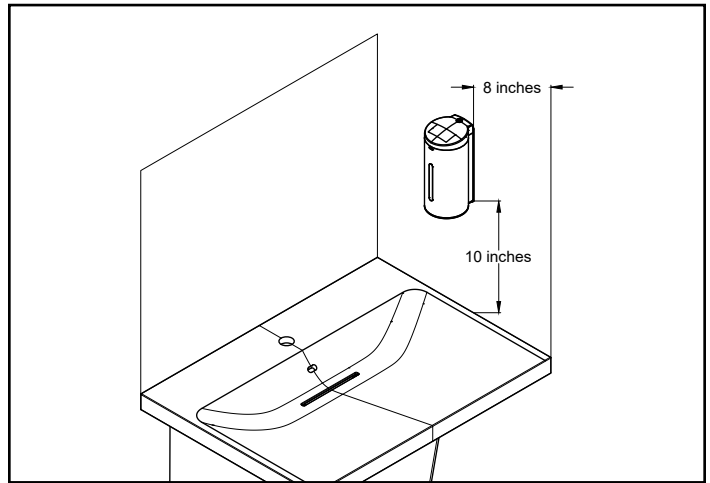
### WARNING:

1. The dispenser must be set in dormant state before its operation. The dispenser must be run once per 72 hours to ensure no loss of performance from the silicone tube.
2. Press the setting button and hold the button for more than 2 seconds when operating dispenser for the first time. The indicator will be on 3 seconds as it goes into its normal working state.
3. The setting button can be pressed 5 times continuously to set the dispenser into its dormant state

## Installation Overview

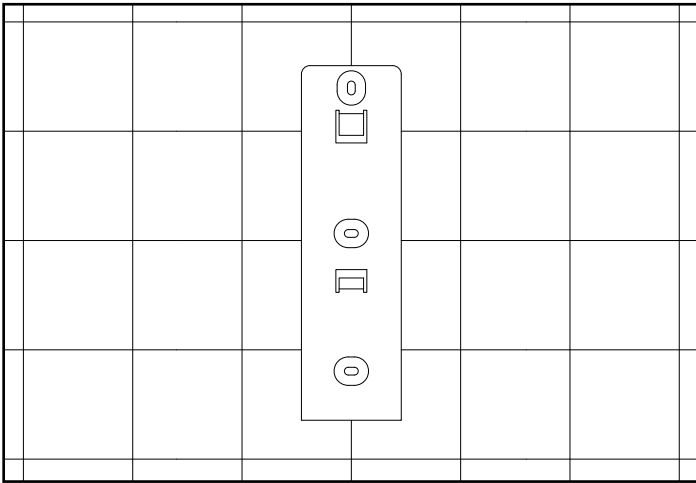
---

The dispenser is mounted directly to the wall with the suggested distances if mounting near a sink basin.

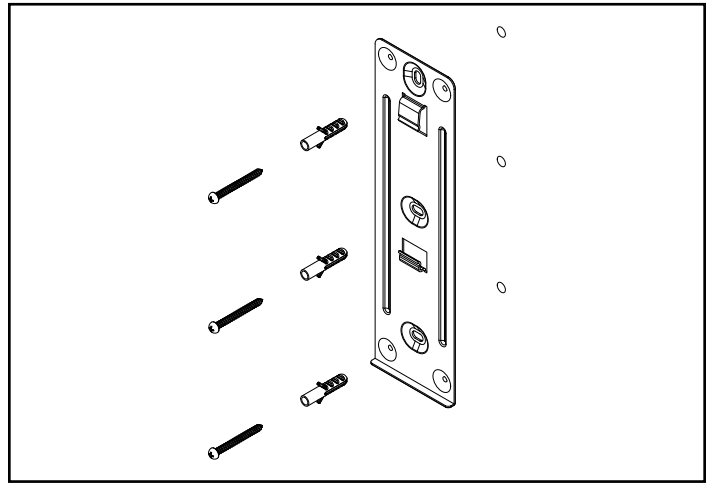


# Soap Dispenser Installation Instruction

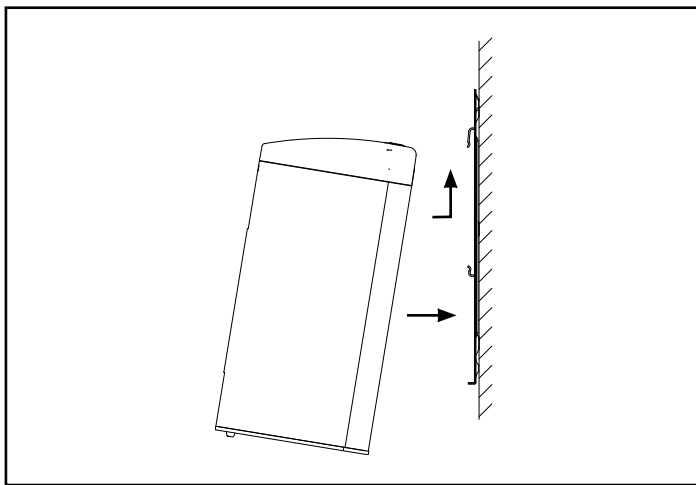
1. Place the mounting plate at the desired location and transfer the hole locations to the wall



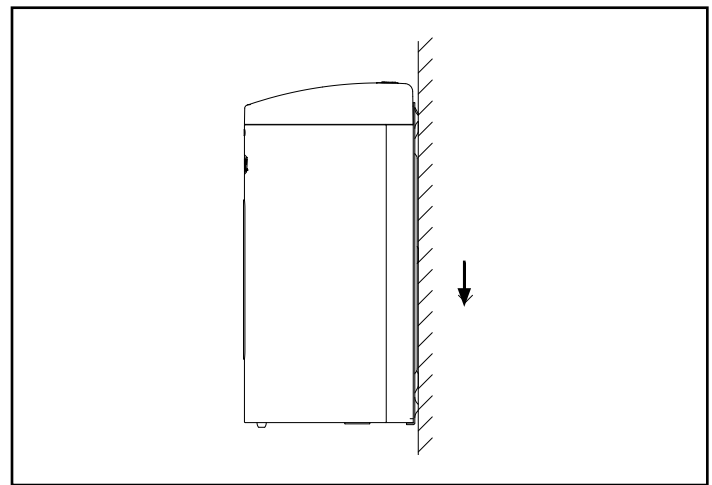
2. Drill the three 6mm or 1/4" holes according to the mounting plate and attach the mounting plate to the wall using the plastic anchors and screws.



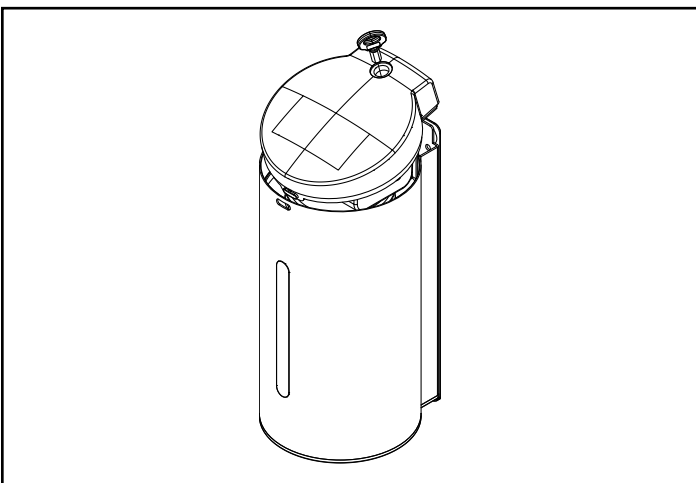
3. Attach the dispenser by the mounting plate's hook.



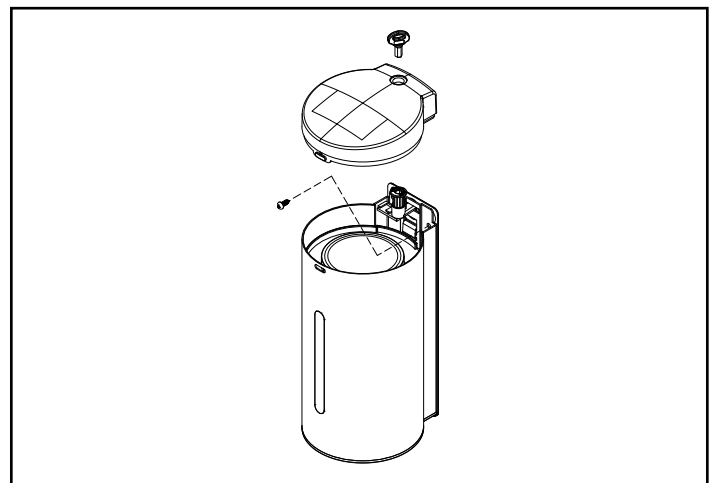
4. Press the dispenser down to attach it to the hook tightly.



5. Open the upper cover using the key.

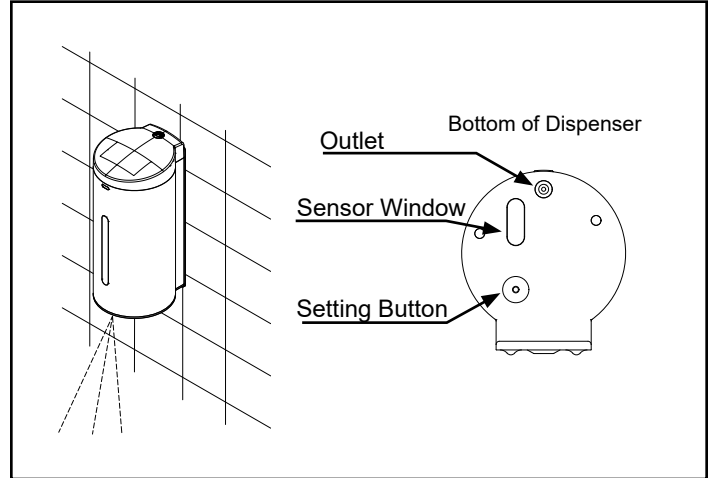
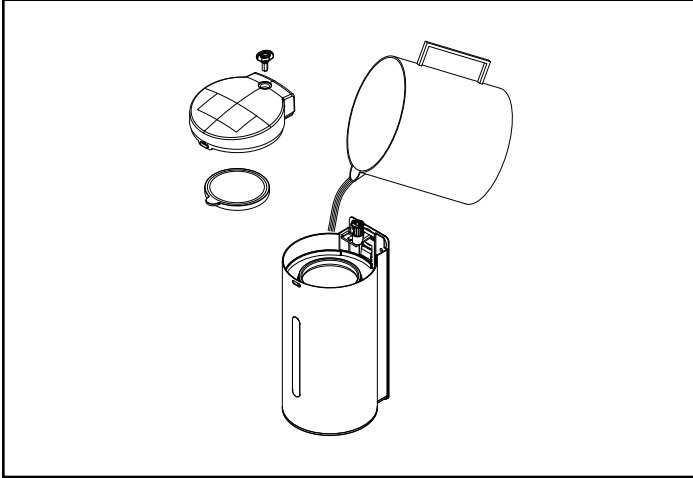


6. Fix the dispenser to the mounting plate with a screw.



## Liquid/Soap Fill and Startup Instruction

1. Open the upper cover with the key
2. Unplug the connector from the battery case
3. Open the liquid container, and pour liquid/soap. Please clean any excess liquid/soap
4. Attach the connector back into the battery case, put the upper cover back and lock it with the key
5. Place hand under sensor window. The LED indicator will flash and liquid will be dispensed.
6. Press the setting button and keep hand underneath sensor for more than 2 seconds until fluid is dispensed



Note: If using the gel type (Z6900-SD-WM), and the liquid is highly viscous, it is recommended to mix a small amount of fluid with water to thin the solution to properly prime the pump. Once priming has occurred (see step 6), fill reservoir with liquid of choice

Note: Remove the mask on lens before operating

## Adjust Distance and Liquid Soap Volume

First mount the dispenser onto the wall. Power on the dispenser and the indicator will flash 5 times. If there is no object in front of the sensor for 30 seconds, the setting function will be locked and will go into the factory setting.

### Adjustment of sensor distance:

1. Press and hold the setting button for 15 seconds, the indicator will flash 5 times. The dispenser has entered the setting state.
2. Press and hold the setting button again for 5 seconds and the indicator will start flashing
3. When the indicator starts flashing, put your hand under the dispenser at the distance that you want to set
4. Leave your hand at the same position until the indicator is off

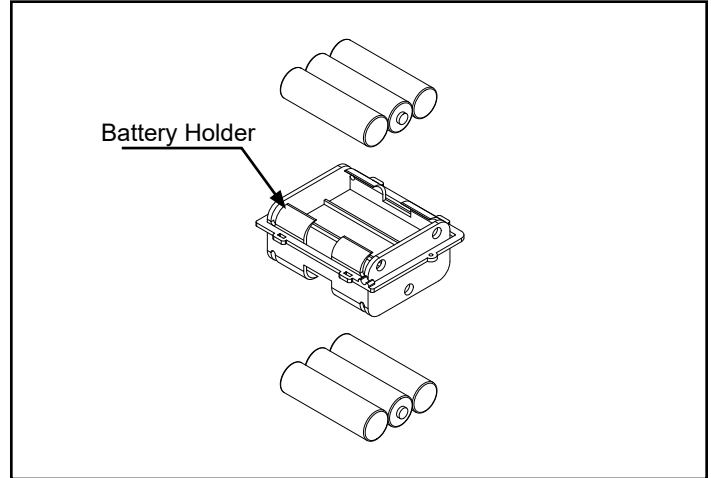
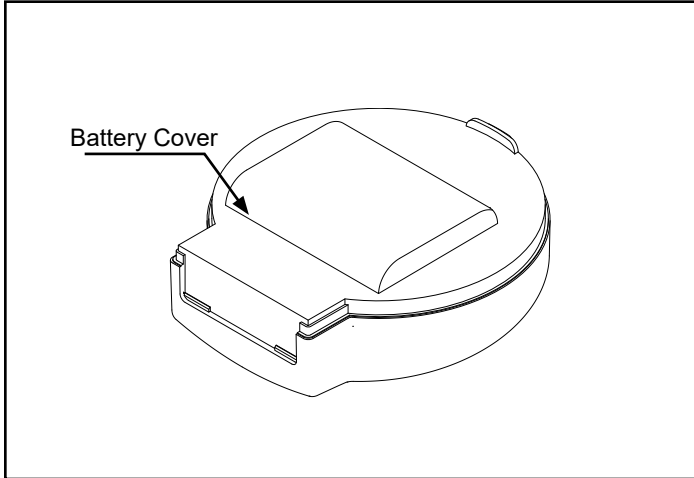
### Adjustment of liquid/soap volume:

1. Press and hold the setting button for 15 seconds, the indicator will flash 5 times. The dispenser has entered the setting state.
2. Press the setting button 2 times (The indicator will flash once after pressing the button the first time, press the setting button once the light is off)
3. The indicator will flash 5 times. Place your hand underneath the dispenser.
4. There are 7 different levels for the dispenser and the moment it dispenses the perfect amount of soap, move your hand away from dispenser.

Note: Please make sure that all the adjustments of liquid volume and sensor distance are complete within 30 seconds. Otherwise the setting function will be locked and the setting button will need to be pressed again for 15 seconds and the procedure will have to be repeated.

# Battery Replacement Instruction

1. The indicator will flash continuously when the battery is depleted
2. Change the batteries in time when the indicator flashes
3. Select 6 AA Alkaline batteries, do not mix old and new batteries
4. Remove the battery cover by loosening the screws
5. Open battery holder and remove the old batteries and replace all old batteries with new ones
6. Make sure the batteries are installed in the right direction, the + and - sides are indicated in the battery holder
7. Close the battery holder, place the cover back in place and tighten the screws
8. Follow the instructions for setting the sensor range if required



# TroubleShooting

Phenomenon	Problem	Solution
Indicator does not work	Sensor failure	Change the sensor
	Power supply is abnormal	Check the adaptor or battery
	Sensor distance is too short	Increase the sensor distance
	The cable of battery/adaptor doesn't connect well	Recheck the cable or change the batteries
	Sensor window is not clean	Clean sensor window
Indicator works but no liquid is dispensed	Sensor is induced continuously	Remove the possible object in front of sensor
	Sensor distance is too long	Shorten sensor distance
Not enough liquid/soap is dispensed	Dispensing time is too short	Adjust dispensing time according to the manual
	Liquid/soap is too thick	Add water to liquid
	Liquid/soap is freezing or blocking flow	Clean reservoir and flush with warm water

## Caution:

1. Avoid using excess force during installation and handling as the dispenser contains precision electronic components
2. To avoid damage to product surface or corrosion to inner electric components, please use cloth with a neutral liquid to clean the surfaces. Then use a damp cloth to wipe off excess liquid and dry the surfaces with a dry soft cloth. Avoid submerging the dispenser or spraying water on the dispenser. Do not use soap detergents or liquids with high acidity or high alkalinity. Avoid using nylon brushes or rough cleaning devices.
3. Do not damage the sensor window as the sensitivity will be reduced.

