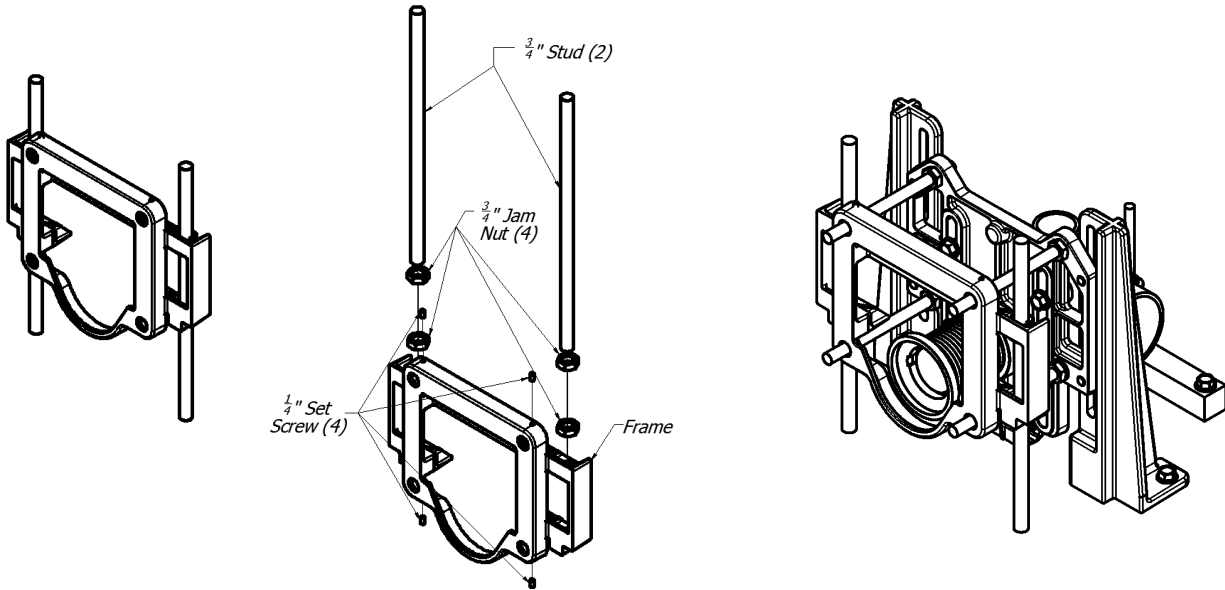




INSTALLATION INSTRUCTIONS FOR Z1201-XB WATER CLOSET SYSTEM



1. Make sure the carrier is properly bolted to the flooring using four anchor bolts. One in each foot and two in the rear anchor bar. See **Figure 1**.

Note: See installation instructions (Form #C51) found in the Z1201-XH Trim Kit for more information on installation.

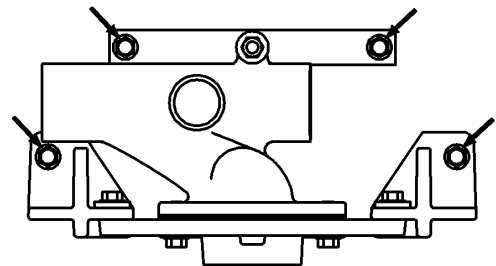


Figure 1

2. Prep for finished wall. Install the (4) threaded rods into the front of the faceplate (see **Figure 2a**) until each rod extends 5/8" past the closet bowl flange (see **Figure 2b**). Use (4) Jam Nuts from the 66955-332-9 hardware bag to lock the threaded rods in place. See **Figure 2a**.

Note: If the studs are too long they will bottom out in the finishing cap nut, preventing proper gasket compression which may result in leakage.

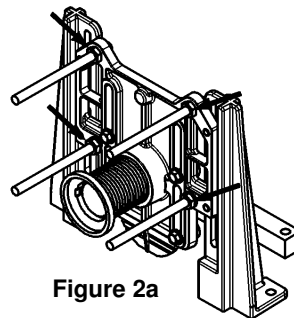


Figure 2a

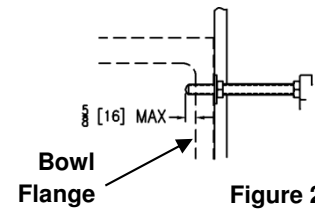


Figure 2b

3. Add (4) Jam Nuts on to the threaded rods so that the front of the nut is 1/4" behind the finish wall. See **Figure 3**.

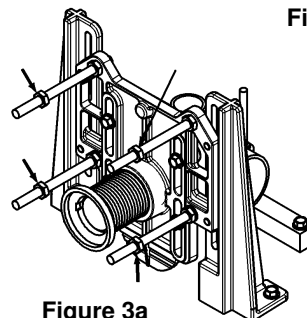


Figure 3a

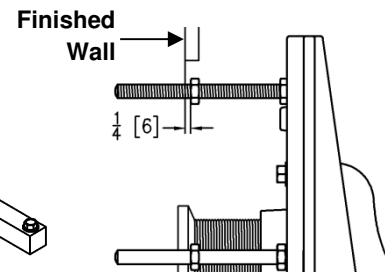


Figure 3b

⚠ WARNING: Cancer and Reproductive Harm - www.P65Warnings.ca.gov
⚠ ADVERTENCIA: Cáncer y daño reproductivo - www.P65Warnings.ca.gov
⚠ AVERTISSEMENT: Cancer et effets néfastes sur la reproduction - www.P65Warnings.ca.gov

- 4 Place the Support Frame Assembly (P1201-XB, P.N. 830080019) on the threaded rods. Make sure that the frame sets on all four jam nuts. Adjust Jam Nuts so that the front of the frame is 1/16" out from the finished wall. See carrier cross section shown in **Figure 4**.

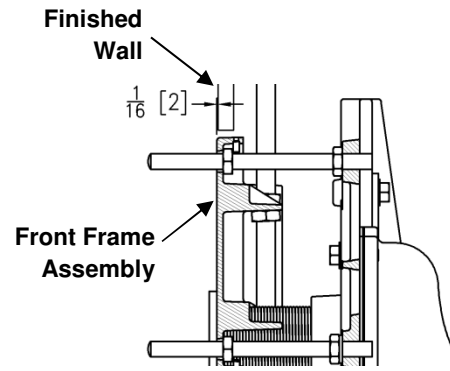


Figure 4

- 5 Once the Support Frame Assembly is on the studs, thread the vertical threaded rods down until they set firmly on the floor. See **Figure 5a**.

Make sure that the horizontal threaded rods are setting on the front frame assembly. See **Figure 5b**.

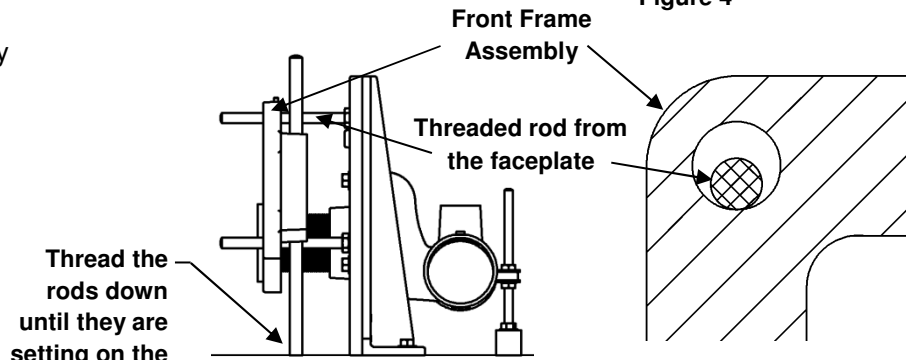


Figure 5a

Figure 5b

- 6 Tighten the (2) nuts on each vertical threaded rod. See **Figure 6**.

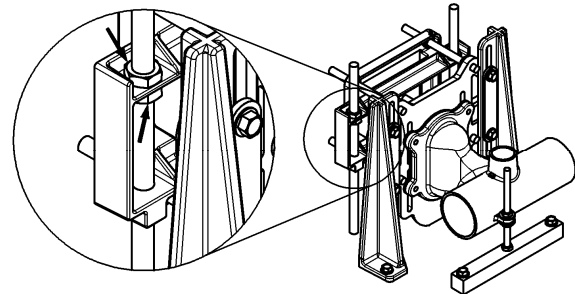


Figure 6

- 7 Assemble a fiber washer and cap nut, from the 66955-292-9 hardware bag, onto each rod and hand tighten. Secure closet with an additional half-turn using a wrench on each nut to complete the installation. See **Figure 7**.

Note: The closet should not make contact with the finished wall.

Note: If using a vitreous china water closet, use Z1200-ADJ-NUT.

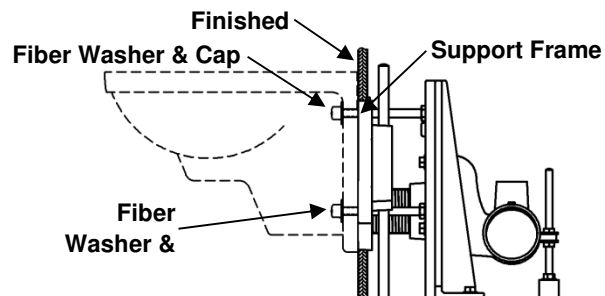


Figure 7