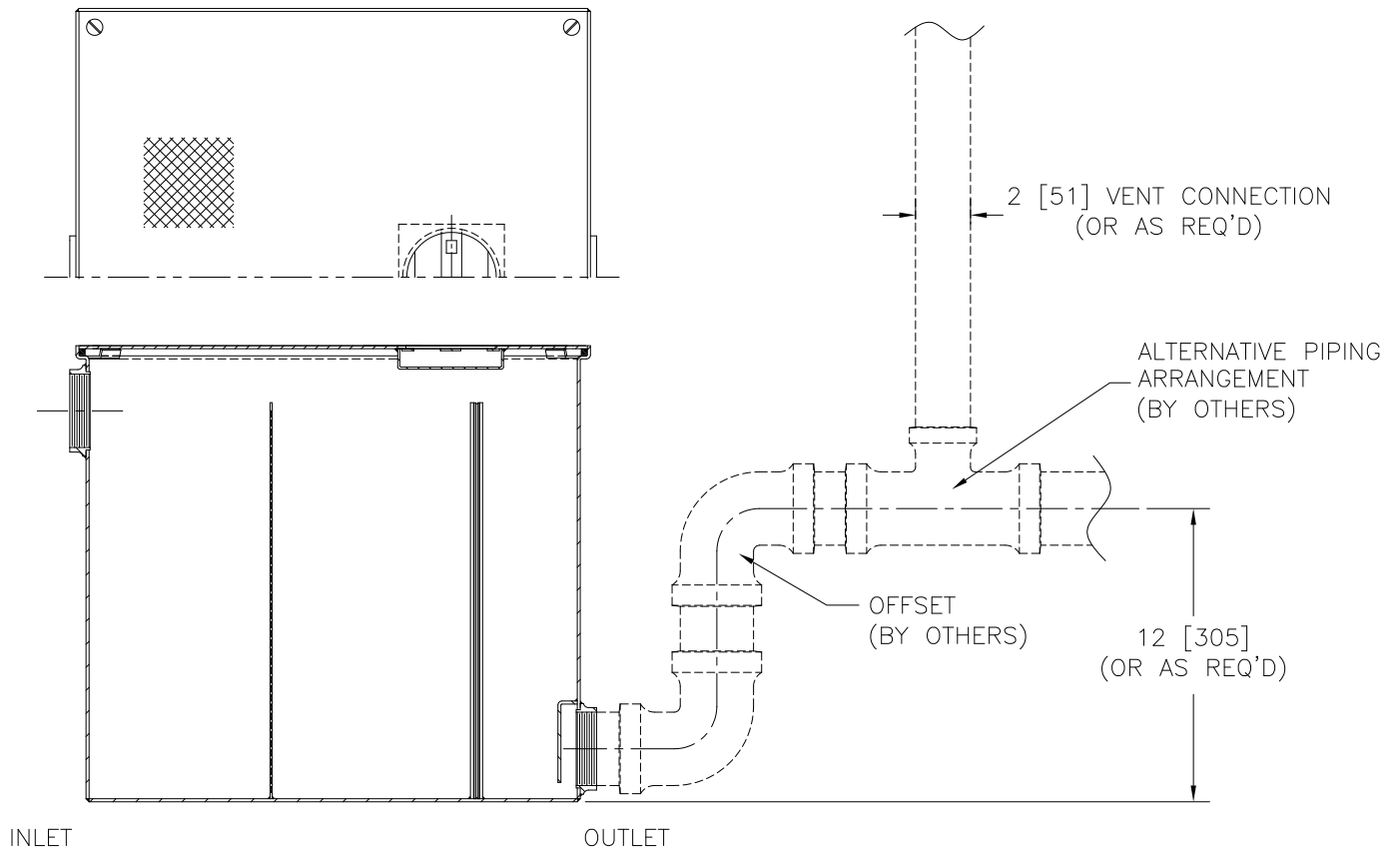




Z1185

TYPICAL INSTALLATION ALTERNATIVE PIPING DIAGRAM

Dimensional Data (inches and [mm]) are Subject to Manufacturing Tolerances and Change Without Notice



Z1185 ALTERNATIVE PIPING DIAGRAM

Alternative piping diagram illustrates one of many acceptable installation configurations. Installer must be sure to not exceed inlet height when offsetting outlet piping. All piping and fittings shown are furnished by others.

- ⚠ **WARNING:** Cancer and Reproductive Harm - www.P65Warnings.ca.gov
- ⚠ **ADVERTENCIA:** Cáncer y daño reproductivo - www.P65Warnings.ca.gov
- ⚠ **AVERTISSEMENT:** Cancer et effets néfastes sur la reproduction - www.P65Warnings.ca.gov

Zurn Industries, LLC | Specification Drainage Operation
1801 Pittsburgh Avenue, Erie, PA U.S.A. 16502 · Ph. 855-663-9876, Fax 814-454-7929
In Canada | Zurn Industries Limited
3544 Nashua Drive, Mississauga, Ontario L4V 1L2 · Ph. 905-405-8272, Fax 905-405-1292
www.zurn.com

Rev. A
Date: 6/4/2018
C.N. No. 140093
Form No. IT102